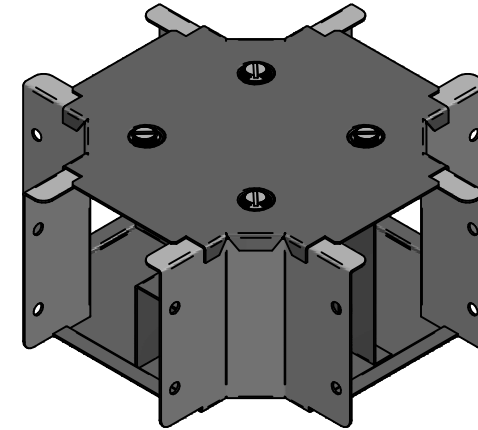
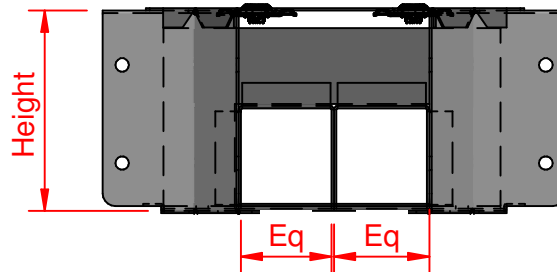
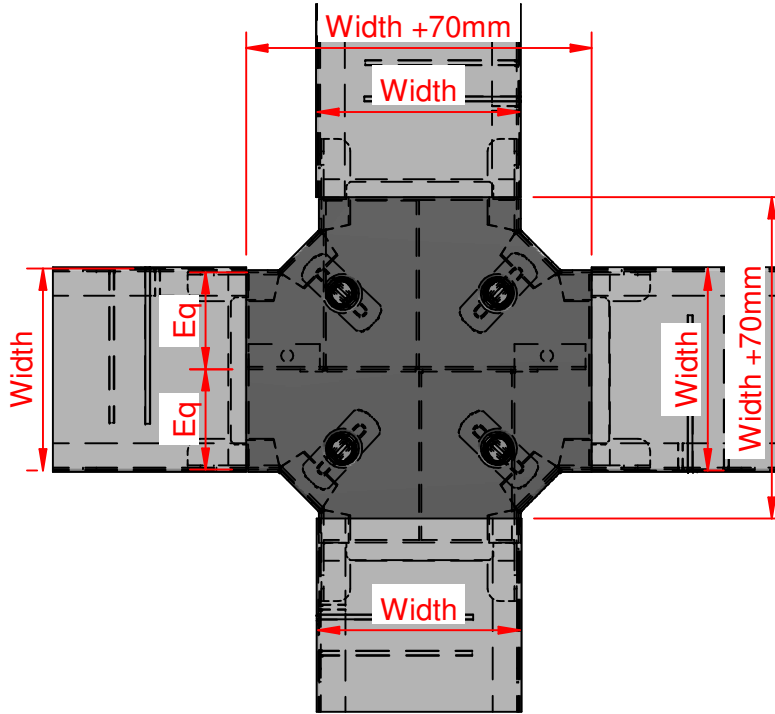


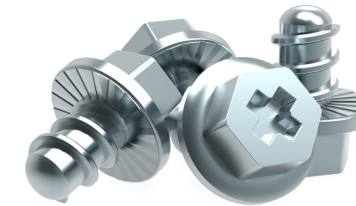


QuickFix

Size	Width	Height
ITB22x2	50.8	50.8
ITB32x2	76.2	50.8
ITB33x2	76.2	76.2
ITB42x2	101.6	50.8
ITB43x2	101.6	76.2
ITB44x2	101.6	101.6
ITB62x2	152.4	50.8
ITB63x2	152.4	76.2
ITB64x2	152.4	101.6
ITB66x2	152.4	152.4
ITB82x2	203.2	50.8
ITB83x2	203.2	76.2
ITB84x2	203.2	101.6
ITB88x2	203.2	203.2
ITB92x2	228.6	50.8
ITB93x2	228.6	76.2
ITB94x2	228.6	101.6
ITB96x2	228.6	152.4
ITB99x2	228.6	228.6



- ✓ Fast fitting **UniBolt** reduces installation time by as much as 80%
- ✓ **IP4X compliant** as standard
- ✓ **Completes the range** of fast fitting and innovative Cable Management Solutions



In accordance with Unitrunk's policy of continuous improvement, Unitrunk reserves the right to change specifications and designs without notice. Data is the copyright of Unitrunk Ltd and not to be reproduced or passed to a third party without written consent.

Cable Trunking & Ducting Standard BS EN 50085-1 & BS EN 50085-2-1		Material Standard BS EN 10346 (Pre Galv)		Quality Recognition	
Unitrunk Head Office: 4 Altona Road, Lisburn, BT27 5QB +44 28 9262 5100 info@unitrunk.co.uk unitrunk.co.uk unitrunk.ie		Lid Fixing	Torque Value 3 N m		
		Retained Toggle			
Data Sheet Reference Four Way Intersection					



UNITRUNK