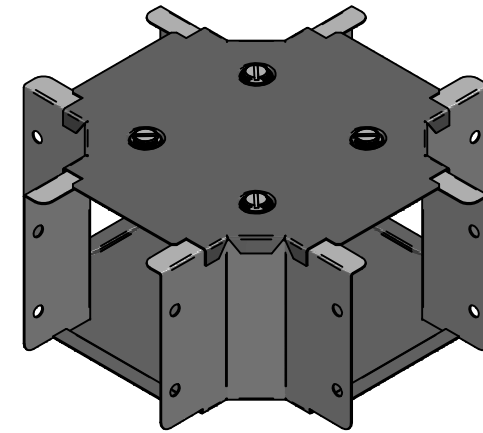
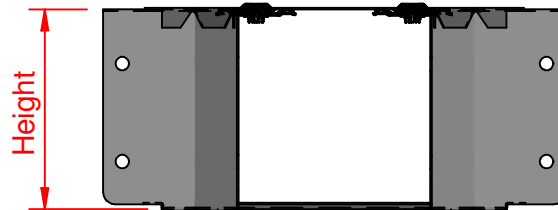
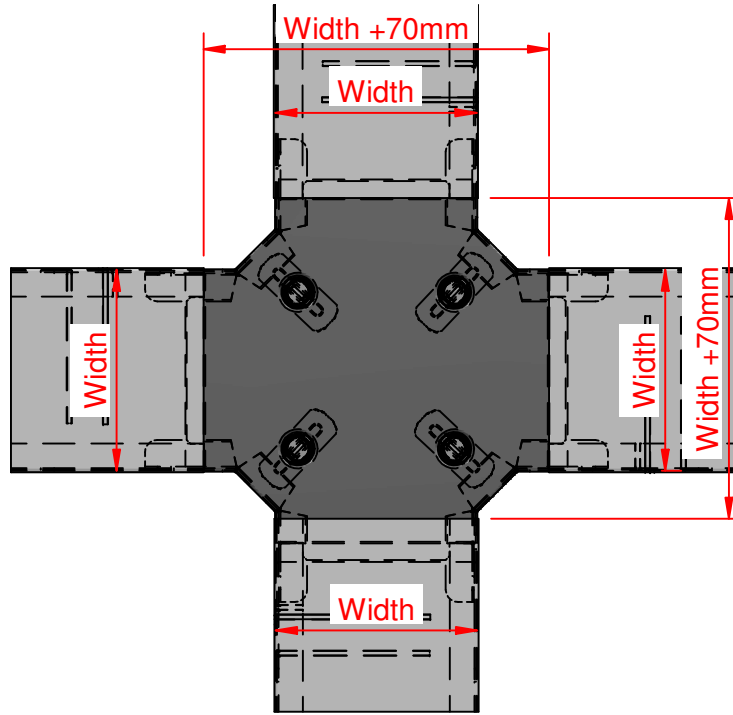


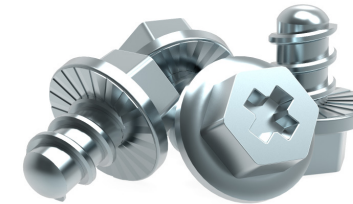


# QuickFix

Size	Width	Height
ITB22	50.8	50.8
ITB32	76.2	50.8
ITB33	76.2	76.2
ITB42	101.6	50.8
ITB43	101.6	76.2
ITB44	101.6	101.6
ITB62	152.4	50.8
ITB63	152.4	76.2
ITB64	152.4	101.6
ITB66	152.4	152.4
ITB82	203.2	50.8
ITB83	203.2	76.2
ITB84	203.2	101.6
ITB88	203.2	203.2
ITB92	228.6	50.8
ITB93	228.6	76.2
ITB94	228.6	101.6
ITB96	228.6	152.4
ITB99	228.6	228.6



- ✓ Fast fitting **UniBolt** reduces installation time by as much as 80%
- ✓ **IP4X compliant** as standard
- ✓ **Completes the range** of fast fitting and innovative Cable Management Solutions



In accordance with Unitrunk's policy of continuous improvement, Unitrunk reserves the right to change specifications and designs without notice. Data is the copyright of Unitrunk Ltd and not to be reproduced or passed to a third party without written consent.

Cable Trunking & Ducting Standard BS EN 50085-1 & BS EN 50085-2-1	Material Standard BS EN 10346 (Pre Galv)		Quality Recognition	
	Unitrunk Head Office: 4 Altona Road, Lisburn, BT27 5QB +44 28 9262 5100   info@unitrunk.co.uk unitrunk.co.uk   unitrunk.ie	Lid Fixing Retained Toggle	Torque Value 3 N m	
Data Sheet Reference Four Way Intersection	Revision 2.01			



# UNITRUNK