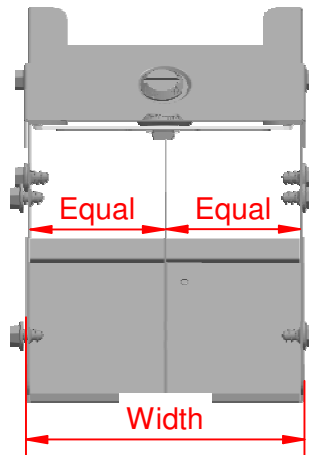
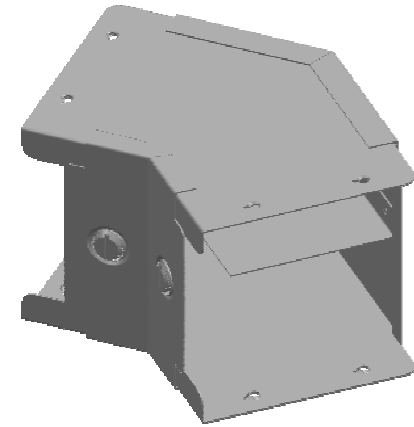
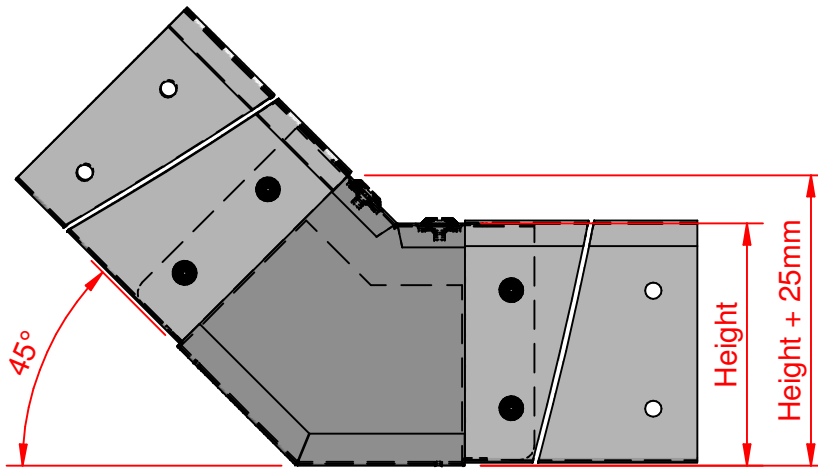


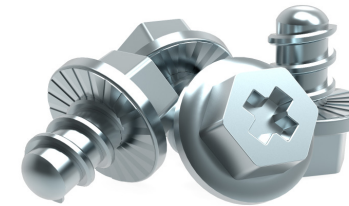


QuickFix

Size	Width	Height
IE22x2	50.8	50.8
IE32x2	76.2	50.8
IE33x2	76.2	76.2
IE42x2	101.6	50.8
IE43x2	101.6	76.2
IE44x2	101.6	101.6
IE62x2	152.4	50.8
IE63x2	152.4	76.2
IE64x2	152.4	101.6
IE66x2	152.4	152.4
IE82x2	203.2	50.8
IE83x2	203.2	76.2
IE84x2	203.2	101.6
IE88x2	203.2	203.2
IE92x2	228.6	50.8
IE93x2	228.6	76.2
IE94x2	228.6	101.6
IE96x2	228.6	152.4
IE99x2	228.6	228.6



- ✓ Fast fitting **UniBolt** reduces installation time by as much as 80%
- ✓ **IP4X compliant** as standard
- ✓ **Completes the range** of fast fitting and innovative Cable Management Solutions



In accordance with Unitrunk's policy of continuous improvement, Unitrunk reserves the right to change specifications and designs without notice. Data is the copyright of Unitrunk Ltd and not to be reproduced or passed to a third party without written consent.

Cable Trunking & Ducting Standard BS EN 50085-1 & BS EN 50085-2-1		Material Standard BS EN 10346 (Pre Galv)		Quality Recognition	
Unitrunk Head Office: 4 Altona Road, Lisburn, BT27 5QB +44 28 9262 5100 info@unitrunk.co.uk unitrunk.co.uk unitrunk.ie		Lid Fixing	Torque Value		
		Retained Toggle	3 N m		
		Data Sheet Reference	Revision		
		45° Bend Inside Lid	2.01		



UNITRUNK