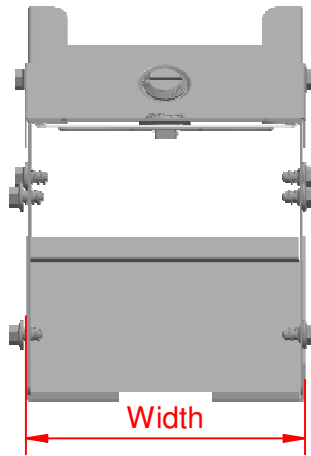
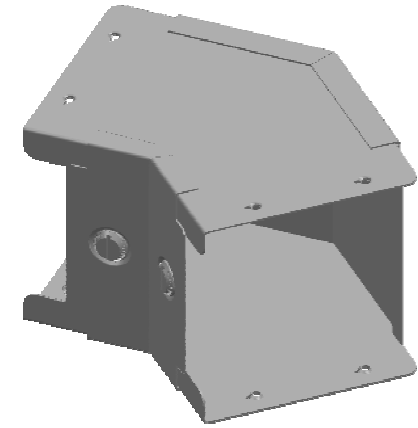
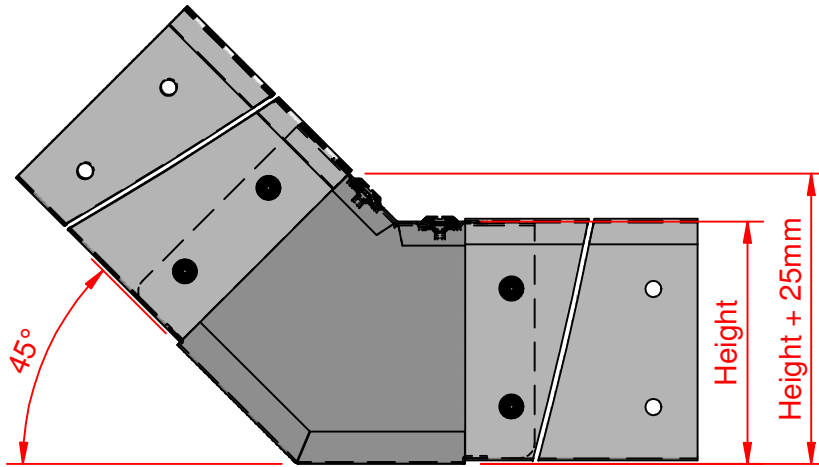


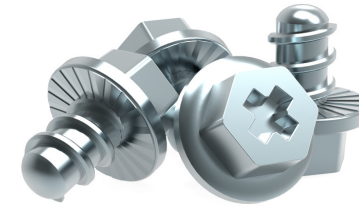


QuickFix

Size	Width	Height
IE22	50.8	50.8
IE32	76.2	50.8
IE33	76.2	76.2
IE42	101.6	50.8
IE43	101.6	76.2
IE44	101.6	101.6
IE62	152.4	50.8
IE63	152.4	76.2
IE64	152.4	101.6
IE66	152.4	152.4
IE82	203.2	50.8
IE83	203.2	76.2
IE84	203.2	101.6
IE88	203.2	203.2
IE92	228.6	50.8
IE93	228.6	76.2
IE94	228.6	101.6
IE96	228.6	152.4
IE99	228.6	228.6



- ✓ Fast fitting **UniBolt** reduces installation time by as much as 80%
- ✓ **IP4X compliant** as standard
- ✓ **Completes the range** of fast fitting and innovative Cable Management Solutions



In accordance with Unitrunk's policy of continuous improvement, Unitrunk reserves the right to change specifications and designs without notice. Data is the copyright of Unitrunk Ltd and not to be reproduced or passed to a third party without written consent.

Cable Trunking & Ducting Standard BS EN 50085-1 & BS EN 50085-2-1		Material Standard BS EN 10346 (Pre Galv)		Quality Recognition	
Unitrunk Head Office: 4 Altona Road, Lisburn, BT27 5QB +44 28 9262 5100 info@unitrunk.co.uk unitrunk.co.uk unitrunk.ie		Lid Fixing Retained Toggle	Torque Value 3 N m		
		Data Sheet Reference 45° Bend Inside Lid	Revision 2.01		



UNITRUNK