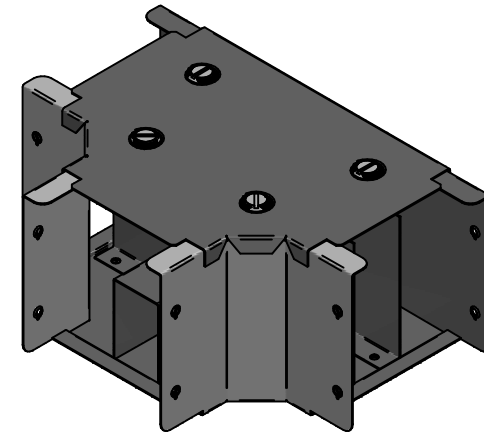
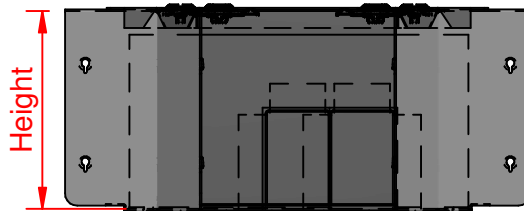
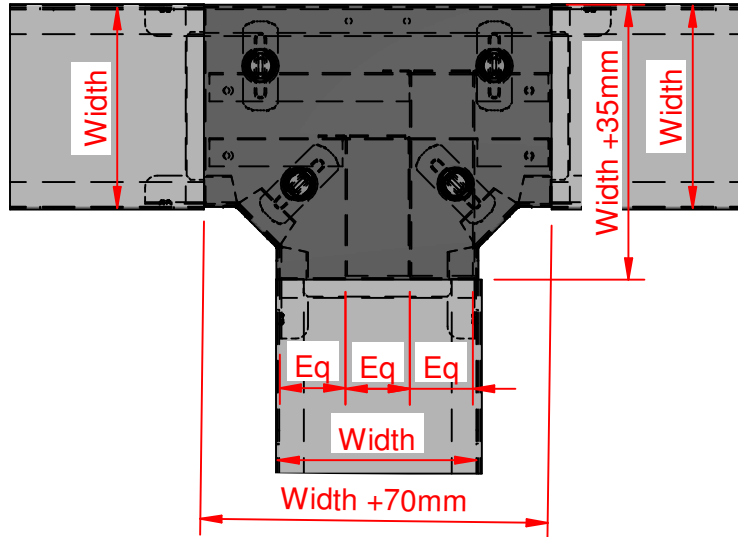


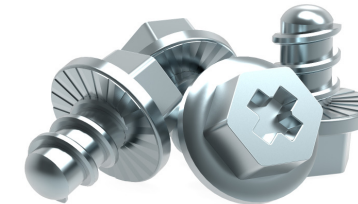


QuickFix

Size	Width	Height
GTT32x3	76.2	50.8
GTT33x3	76.2	76.2
GTT42x3	101.6	50.8
GTT43x3	101.6	76.2
GTT44x3	101.6	101.6
GTT62x3	152.4	50.8
GTT63x3	152.4	76.2
GTT64x3	152.4	101.6
GTT66x3	152.4	152.4
GTT82x3	203.2	50.8
GTT83x3	203.2	76.2
GTT84x3	203.2	101.6
GTT88x3	203.2	203.2
GTT92x3	228.6	50.8
GTT93x3	228.6	76.2
GTT94x3	228.6	101.6
GTT96x3	228.6	152.4
GTT99x3	228.6	228.6



- ✓ Fast fitting **UniBolt** reduces installation time by as much as 80%
- ✓ **IP4X compliant** as standard
- ✓ **Completes the range** of fast fitting and innovative Cable Management Solutions



In accordance with Unitrunk's policy of continuous improvement, Unitrunk reserves the right to change specifications and designs without notice. Data is the copyright of Unitrunk Ltd and not to be reproduced or passed to a third party without written consent.

Cable Trunking & Ducting Standard	Material Standard		Quality Recognition	
BS EN 50085-1 & BS EN 50085-2-1	BS EN 10346 (Pre Galv)		  	
Unitrunk Head Office: 4 Altona Road, Lisburn, BT27 5QB +44 28 9262 5100 info@unitrunk.co.uk unitrunk.co.uk unitrunk.ie	Lid Fixing	Torque Value	  	
	Retained Toggle	3 N m		
	Data Sheet Reference	Revision		
	Gusset Tee Top Lid	2.01		



UNITRUNK