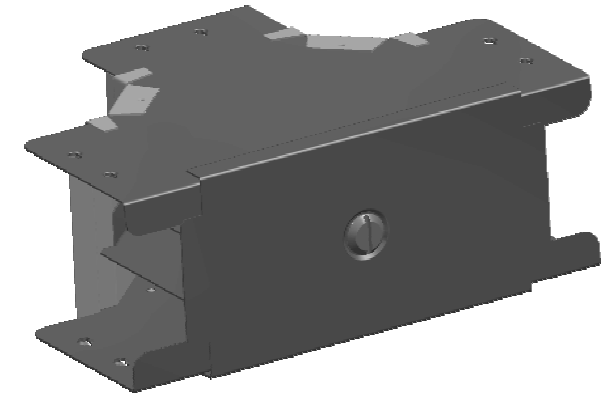
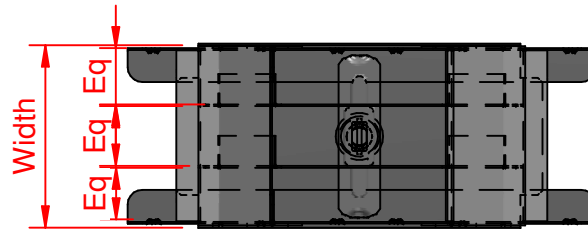
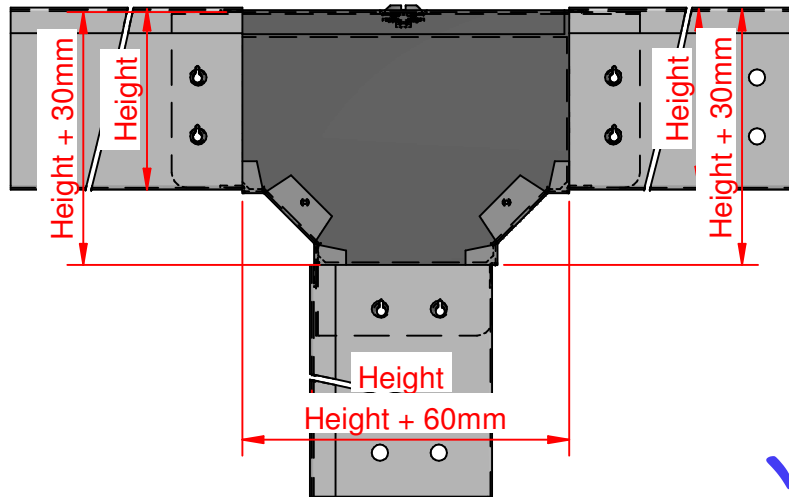


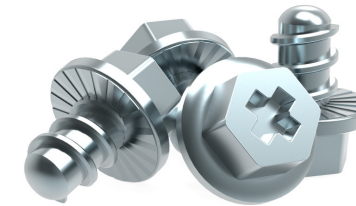


QuickFix

Size	Width	Height
GOT32x3	76.2	50.8
GOT33x3	76.2	76.2
GOT42x3	101.6	50.8
GOT43x3	101.6	76.2
GOT44x3	101.6	101.6
GOT62x3	152.4	50.8
GOT63x3	152.4	76.2
GOT64x3	152.4	101.6
GOT66x3	152.4	152.4
GOT82x3	203.2	50.8
GOT83x3	203.2	76.2
GOT84x3	203.2	101.6
GOT88x3	203.2	203.2
GOT92x3	228.6	50.8
GOT93x3	228.6	76.2
GOT94x3	228.6	101.6
GOT96x3	228.6	152.4
GOT99x3	228.6	228.6



- ✓ Fast fitting **UniBolt** reduces installation time by as much as 80%
- ✓ **IP4X compliant** as standard
- ✓ **Completes the range** of fast fitting and innovative Cable Management Solutions



In accordance with Unitrunk's policy of continuous improvement, Unitrunk reserves the right to change specifications and designs without notice. Data is the copyright of Unitrunk Ltd and not to be reproduced or passed to a third party without written consent.

Cable Trunking & Ducting Standard	Material Standard	Quality Recognition	
BS EN 50085-1 & BS EN 50085-2-1	BS EN 10346 (Pre Galv)		
Unitrunk Head Office: 4 Altona Road, Lisburn, BT27 5QB +44 28 9262 5100 info@unitrunk.co.uk unitrunk.co.uk unitrunk.ie	Lid Fixing Retained Toggle Torque Value 3 N m		
	Data Sheet Reference Gusset Tee Outside Lid		

