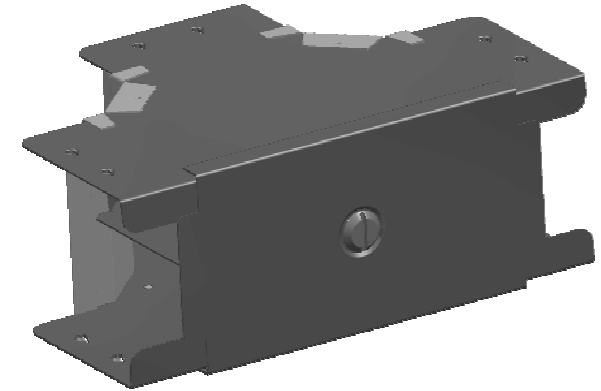
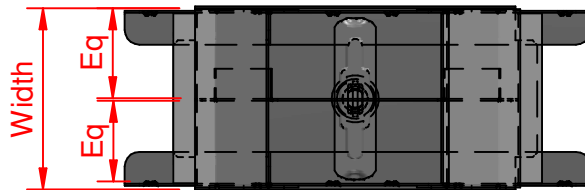
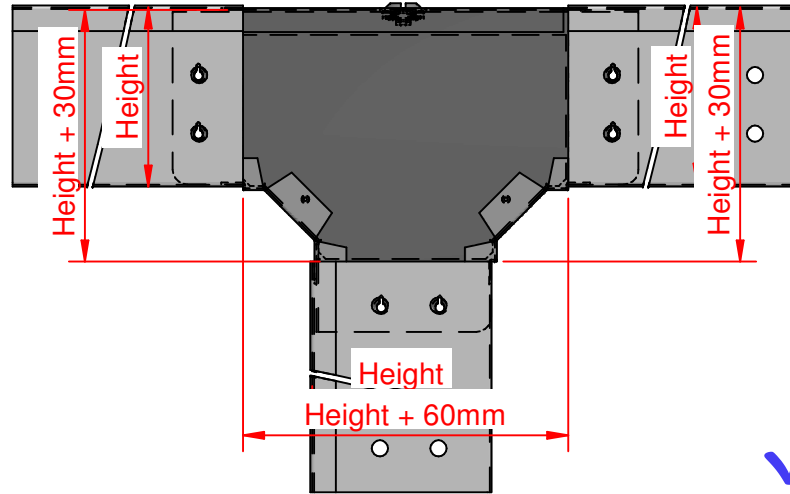


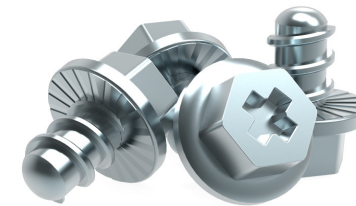


QuickFix

Size	Width	Height
GOT22x2	50.8	50.8
GOT32x2	76.2	50.8
GOT33x2	76.2	76.2
GOT42x2	101.6	50.8
GOT43x2	101.6	76.2
GOT44x2	101.6	101.6
GOT62x2	152.4	50.8
GOT63x2	152.4	76.2
GOT64x2	152.4	101.6
GOT66x2	152.4	152.4
GOT82x2	203.2	50.8
GOT83x2	203.2	76.2
GOT84x2	203.2	101.6
GOT88x2	203.2	203.2
GOT92x2	228.6	50.8
GOT93x2	228.6	76.2
GOT94x2	228.6	101.6
GOT96x2	228.6	152.4
GOT99x2	228.6	228.6



- ✓ Fast fitting **UniBolt** reduces installation time by as much as 80%
- ✓ **IP4X compliant** as standard
- ✓ **Completes the range** of fast fitting and innovative Cable Management Solutions



In accordance with Unitrunk's policy of continuous improvement, Unitrunk reserves the right to change specifications and designs without notice. Data is the copyright of Unitrunk Ltd and not to be reproduced or passed to a third party without written consent.

Cable Trunking & Ducting Standard BS EN 50085-1 & BS EN 50085-2-1	Material Standard BS EN 10346 (Pre Galv)		Quality Recognition	
	Unitrunk Head Office: 4 Altona Road, Lisburn, BT27 5QB +44 28 9262 5100 info@unitrunk.co.uk unitrunk.co.uk unitrunk.ie		Lid Fixing Retained Toggle	Torque Value 3 N m
Data Sheet Reference Gusset Tee Outside Lid		Revision 2.01		



UNITRUNK