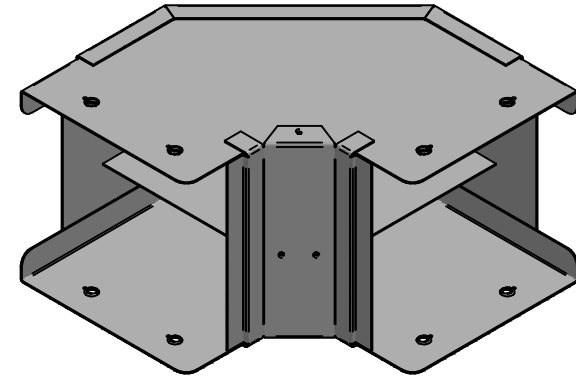
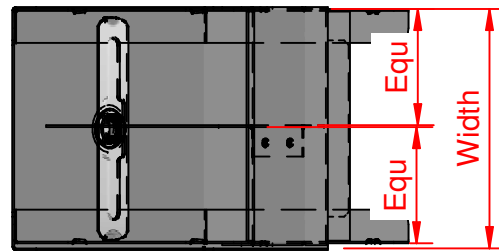
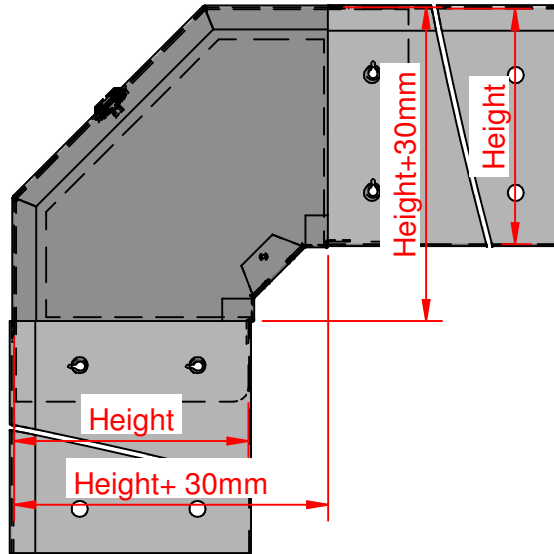


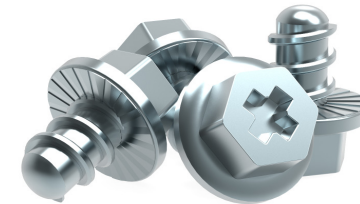


QuickFix

Size	Width	Height
GOB22x2	50.8	50.8
GOB32x2	76.2	50.8
GOB33x2	76.2	76.2
GOB42x2	101.6	50.8
GOB43x2	101.6	76.2
GOB44x2	101.6	101.6
GOB62x2	152.4	50.8
GOB63x2	152.4	76.2
GOB64x2	152.4	101.6
GOB66x2	152.4	152.4
GOB82x2	203.2	50.8
GOB83x2	203.2	76.2
GOB84x2	203.2	101.6
GOB88x2	203.2	203.2
GOB92x2	228.6	50.8
GOB93x3	228.6	76.2
GOB94x2	228.6	101.6
GOB96x2	228.6	152.4
GOB99x2	228.6	228.6



- ✓ Fast fitting **UniBolt** reduces installation time by as much as 80%
- ✓ **IP4X compliant** as standard
- ✓ **Completes the range** of fast fitting and innovative Cable Management Solutions



In accordance with Unitrunk's policy of continuous improvement, Unitrunk reserves the right to change specifications and designs without notice. Data is the copyright of Unitrunk Ltd and not to be reproduced or passed to a third party without written consent.

Cable Trunking & Ducting Standard	Material Standard		Quality Recognition	
BS EN 50085-1 & BS EN 50085-2-1	BS EN 10346 (Pre Galv)			
Unitrunk Head Office: 4 Altona Road, Lisburn, BT27 5QB +44 28 9262 5100 info@unitrunk.co.uk unitrunk.co.uk unitrunk.ie	Lid Fixing	Torque Value		
	Retained Toggle	3 N m		
	Data Sheet Reference	Revision		
	Gusset Bend Outside Lid	2.01		



UNITRUNK