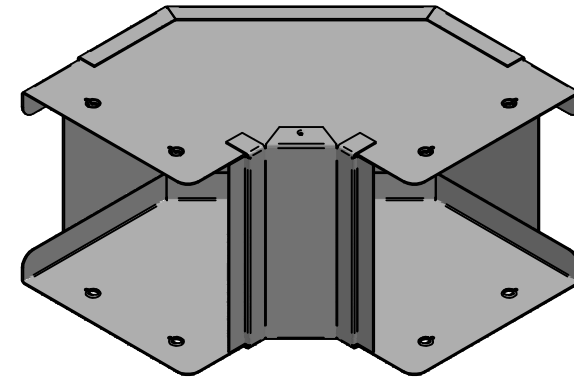
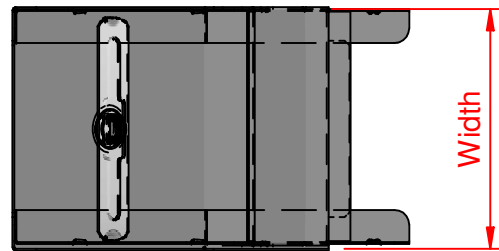
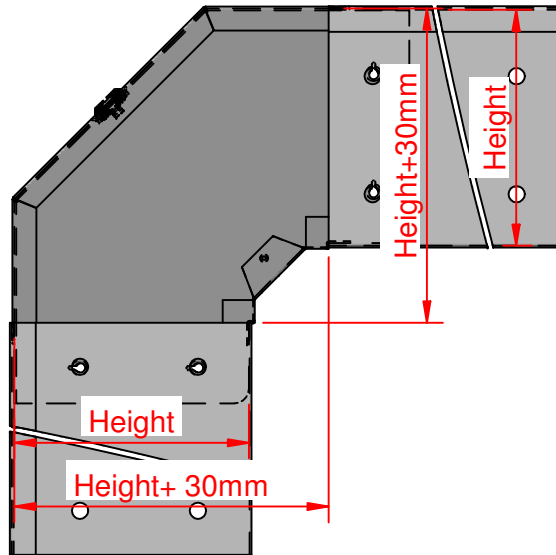


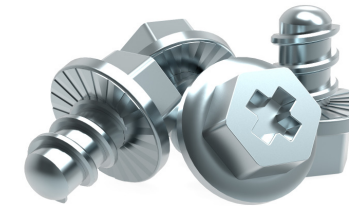


# QuickFix

Size	Width	Height
GOB22	50.8	50.8
GOB32	76.2	50.8
GOB33	76.2	76.2
GOB42	101.6	50.8
GOB43	101.6	76.2
GOB44	101.6	101.6
GOB62	152.4	50.8
GOB63	152.4	76.2
GOB64	152.4	101.6
GOB66	152.4	152.4
GOB82	203.2	50.8
GOB83	203.2	76.2
GOB84	203.2	101.6
GOB88	203.2	203.2
GOB92	228.6	50.8
GOB93	228.6	76.2
GOB94	228.6	101.6
GOB96	228.6	152.4
GOB99	228.6	228.6



- ✓ Fast fitting **UniBolt** reduces installation time by as much as 80%
- ✓ **IP4X compliant** as standard
- ✓ **Completes the range** of fast fitting and innovative Cable Management Solutions



In accordance with Unitrunk's policy of continuous improvement, Unitrunk reserves the right to change specifications and designs without notice. Data is the copyright of Unitrunk Ltd and not to be reproduced or passed to a third party without written consent.

<b>Cable Trunking &amp; Ducting Standard</b> BS EN 50085-1 & BS EN 50085-2-1	<b>Material Standard</b> BS EN 10346 (Pre Galv)		<b>Quality Recognition</b>	
	<b>Unitrunk Head Office:</b> 4 Altona Road, Lisburn, BT27 5QB +44 28 9262 5100   info@unitrunk.co.uk <b>unitrunk.co.uk   unitrunk.ie</b>	<b>Lid Fixing</b> Retained Toggle	<b>Torque Value</b> 3 N m	
	<b>Data Sheet Reference</b> Gusset Bend Outside Lid	<b>Revision</b> 2.01		



# UNITRUNK