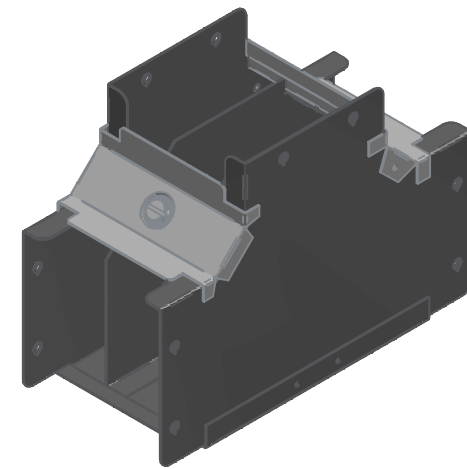
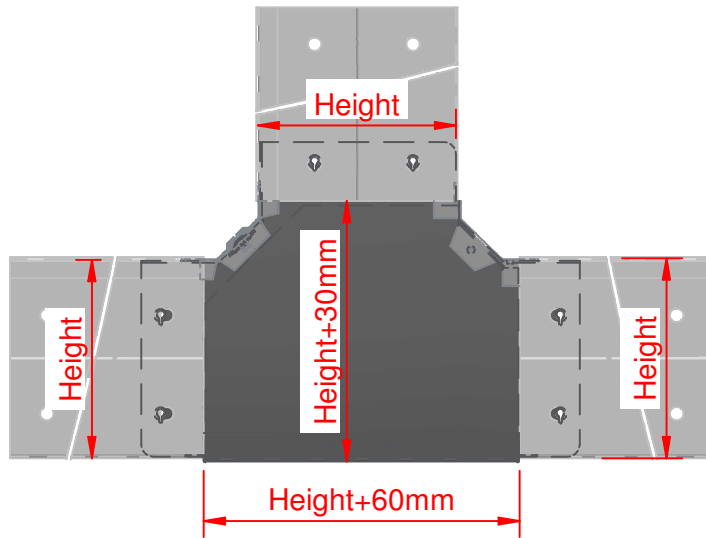


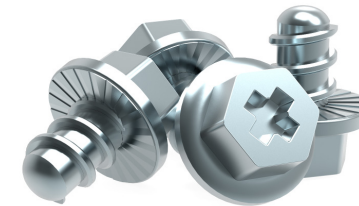


# QuickFix

Size	Width	Height
GIT32x3	76.2	50.8
GIT33x3	76.2	76.2
GIT42x3	101.6	50.8
GIT43x3	101.6	76.2
GIT44x3	101.6	101.6
GIT62x3	152.4	50.8
GIT63x3	152.4	76.2
GIT64x3	152.4	101.6
GIT66x3	152.4	152.4
GIT82x3	203.2	50.8
GIT83x3	203.2	76.2
GIT84x3	203.2	101.6
GIT88x3	203.2	203.2
GTT92x3	228.6	50.8
GTT93x3	228.6	76.2
GTT94x3	228.6	101.6
GTT96x3	228.6	152.4
GIT99x3	228.6	228.6



- ✓ Fast fitting **UniBolt** reduces installation time by as much as 80%
- ✓ **IP4X compliant** as standard
- ✓ **Completes the range** of fast fitting and innovative Cable Management Solutions



In accordance with Unitrunk's policy of continuous improvement, Unitrunk reserves the right to change specifications and designs without notice. Data is the copyright of Unitrunk Ltd and not to be reproduced or passed to a third party without written consent.

<b>Cable Trunking &amp; Ducting Standard</b> BS EN 50085-1 & BS EN 50085-2-1		<b>Material Standard</b> BS EN 10346 (Pre Galv)		<b>Quality Recognition</b>	
<b>Unitrunk Head Office:</b> 4 Altona Road, Lisburn, BT27 5QB +44 28 9262 5100   info@unitrunk.co.uk unitrunk.co.uk   unitrunk.ie		<b>Lid Fixing</b> Retained Toggle	<b>Torque Value</b> 3 N m		
		<b>Data Sheet Reference</b> Gusset Tee Inside Lid	<b>Revision</b> 2.01		



# UNITRUNK