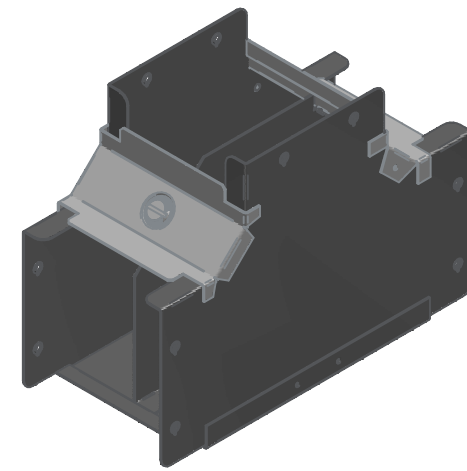
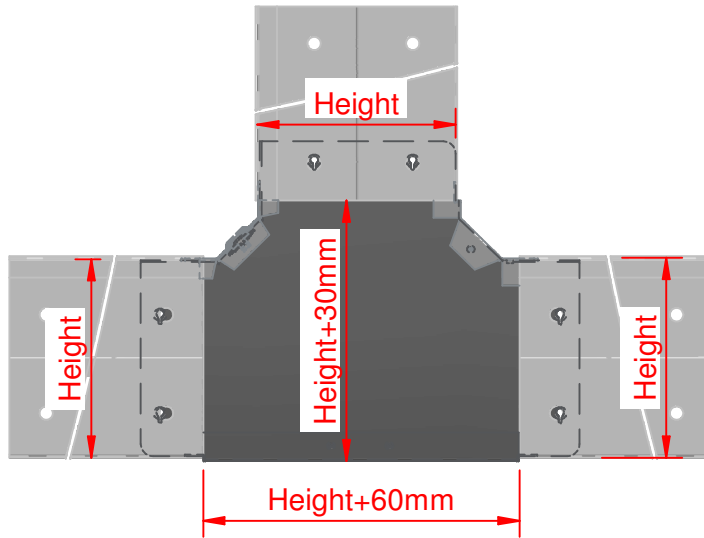


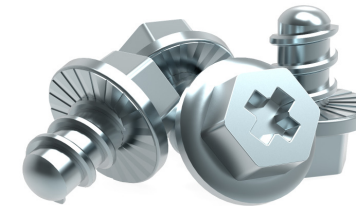


QuickFix

Size	Width	Height
GIT22x2	50.8	50.8
GIT32x2	76.2	50.8
GIT33x2	76.2	76.2
GIT42x2	101.6	50.8
GIT43x2	101.6	76.2
GIT44x2	101.6	101.6
GIT62x2	152.4	50.8
GIT63x2	152.4	76.2
GIT64x2	152.4	101.6
GIT66x2	152.4	152.4
GIT82x2	203.2	50.8
GIT83x2	203.2	76.2
GIT84x2	203.2	101.6
GIT88x2	203.2	203.2
GTT92x2	228.6	50.8
GTT93x2	228.6	76.2
GTT94x2	228.6	101.6
GTT96x2	228.6	152.4
GIT99x2	228.6	228.6



- ✓ Fast fitting **UniBolt** reduces installation time by as much as 80%
- ✓ **IP4X compliant** as standard
- ✓ **Completes the range** of fast fitting and innovative Cable Management Solutions



In accordance with Unitrunk's policy of continuous improvement, Unitrunk reserves the right to change specifications and designs without notice. Data is the copyright of Unitrunk Ltd and not to be reproduced or passed to a third party without written consent.

Cable Trunking & Ducting Standard BS EN 50085-1 & BS EN 50085-2-1	Material Standard BS EN 10346 (Pre Galv)		Quality Recognition	
	Unitrunk Head Office: 4 Altona Road, Lisburn, BT27 5QB +44 28 9262 5100 info@unitrunk.co.uk unitrunk.co.uk unitrunk.ie	Lid Fixing Retained Toggle	Torque Value 3 N m	
	Data Sheet Reference Gusset Tee Inside Lid	Revision 2.01		



UNITRUNK