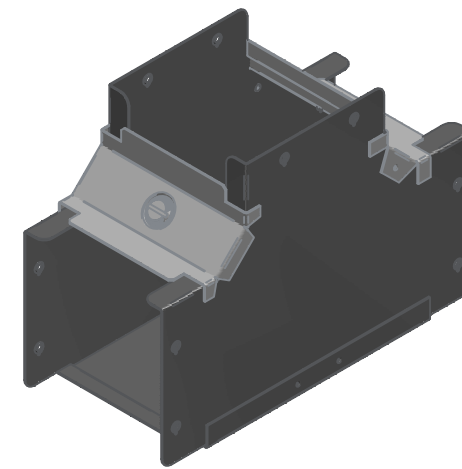
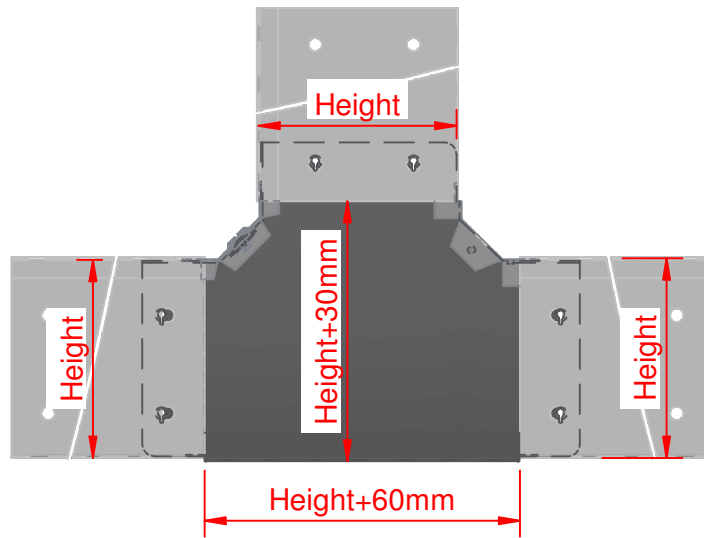


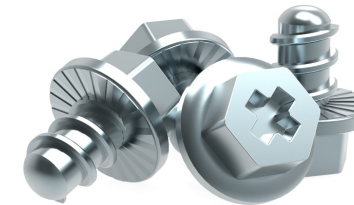


QuickFix

Size	Width	Height
GIT22	50.8	50.8
GIT32	76.2	50.8
GIT33	76.2	76.2
GIT42	101.6	50.8
GIT43	101.6	76.2
GIT44	101.6	101.6
GIT62	152.4	50.8
GIT63	152.4	76.2
GIT64	152.4	101.6
GIT66	152.4	152.4
GIT82	203.2	50.8
GIT83	203.2	76.2
GIT84	203.2	101.6
GIT88	203.2	203.2
GIT92	228.6	50.8
GIT93	228.6	76.2
GIT94	228.6	101.6
GIT96	228.6	152.4
GIT99	228.6	228.6



- ✓ Fast fitting **UniBolt** reduces installation time by as much as 80%
- ✓ **IP4X compliant** as standard
- ✓ **Completes the range** of fast fitting and innovative Cable Management Solutions



In accordance with Unitrunk's policy of continuous improvement, Unitrunk reserves the right to change specifications and designs without notice. Data is the copyright of Unitrunk Ltd and not to be reproduced or passed to a third party without written consent.

Cable Trunking & Ducting Standard BS EN 50085-1 & BS EN 50085-2-1	Material Standard BS EN 10346 (Pre Galv)		Quality Recognition	
	Unitrunk Head Office: 4 Altona Road, Lisburn, BT27 5QB +44 28 9262 5100 info@unitrunk.co.uk unitrunk.co.uk unitrunk.ie	Lid Fixing Retained Toggle	Torque Value 3 N m	
	Data Sheet Reference Gusset Tee Inside Lid	Revision 2.01		



UNITRUNK