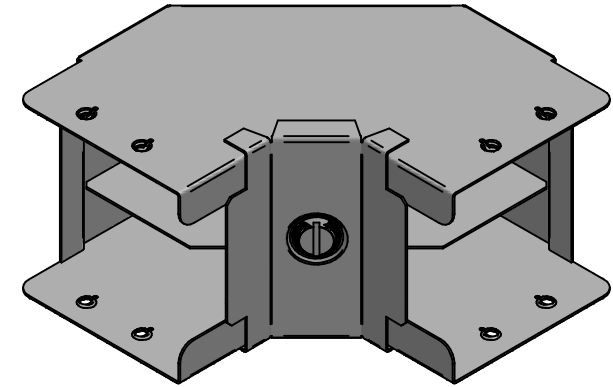
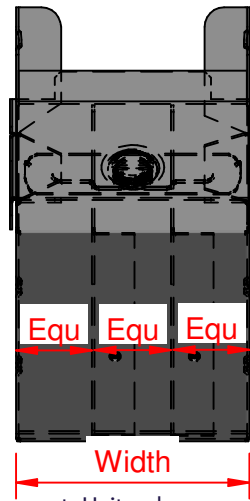
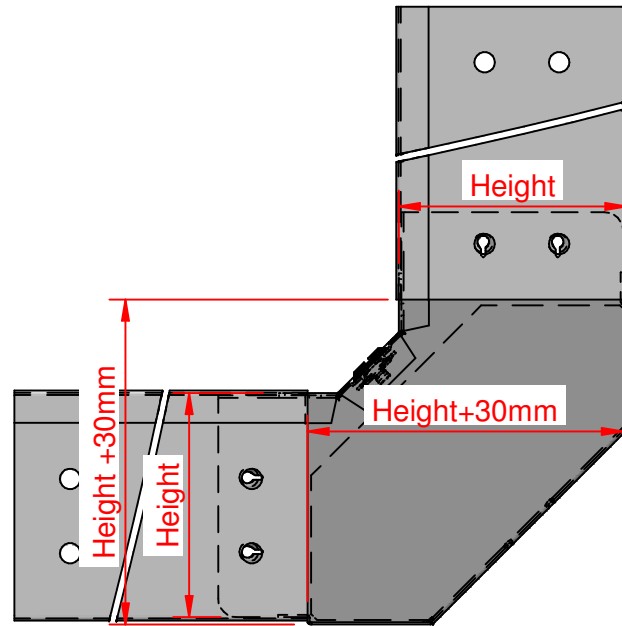


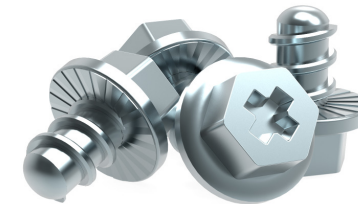


# QuickFix

Size	Width	Height
GIB32x3	76.2	50.8
GIB33x3	76.2	76.2
GIB32x3	101.6	50.8
GIB43x3	101.6	76.2
GIB44x3	101.6	101.6
GIB62x3	152.4	50.8
GIB63x3	152.4	76.2
GIB64x3	152.4	101.6
GIB66x3	152.4	152.4
GIB82x3	203.2	50.8
GIB83x3	203.2	76.2
GIB84x3	203.2	101.6
GIB88x3	203.2	203.2
GIB92x3	228.6	50.8
GIB93x3	228.6	76.2
GIB94x3	228.6	101.6
GIB96x3	228.6	152.4
GIB99x3	228.6	228.6



- ✓ Fast fitting **UniBolt** reduces installation time by as much as 80%
- ✓ **IP4X compliant** as standard
- ✓ **Completes the range** of fast fitting and innovative Cable Management Solutions



In accordance with Unitrunk's policy of continuous improvement, Unitrunk reserves the right to change specifications and designs without notice. Data is the copyright of Unitrunk Ltd and not to be reproduced or passed to a third party without written consent.

Cable Trunking & Ducting Standard BS EN 50085-1 & BS EN 50085-2-1	Material Standard BS EN 10346 (Pre Galv)		Quality Recognition	
	Unitrunk Head Office: 4 Altona Road, Lisburn, BT27 5QB +44 28 9262 5100   info@unitrunk.co.uk unitrunk.co.uk   unitrunk.ie	Lid Fixing Retained Toggle	Torque Value 3 N m	SCS ISO 9001 CERTIFIED
	Data Sheet Reference Gusset Bend Inside Lid	Revision 2.01	SCS OHSAS 18001 CERTIFIED	



# UNITRUNK