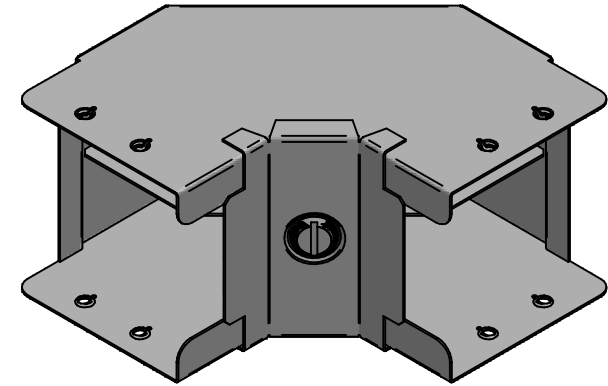
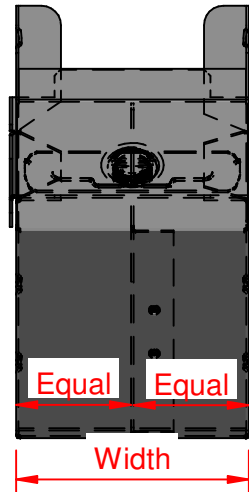
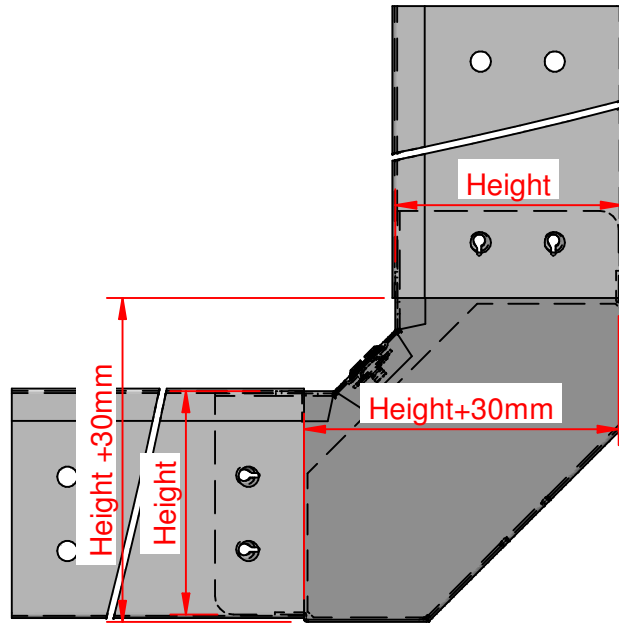


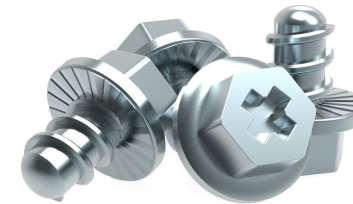


QuickFix

Size	Width	Height
GIB22x2	50.8	50.8
GIB32x2	76.2	50.8
GIB33x2	76.2	76.2
GIB32x2	101.6	50.8
GIB43x2	101.6	76.2
GIB44x2	101.6	101.6
GIB62x2	152.4	50.8
GIB63x2	152.4	76.2
GIB64x2	152.4	101.6
GIB66x2	152.4	152.4
GIB82x2	203.2	50.8
GIB83x2	203.2	76.2
GIB84x2	203.2	101.6
GIB88x2	203.2	203.2
GIB92x2	228.6	50.8
GIB93x2	228.6	76.2
GIB94x2	228.6	101.6
GIB96x2	228.6	152.4
GIB99x2	228.6	228.6



- ✓ Fast fitting **UniBolt** reduces installation time by as much as 80%
- ✓ **IP4X compliant** as standard
- ✓ **Completes the range** of fast fitting and innovative Cable Management Solutions



In accordance with Unitrunk's policy of continuous improvement, Unitrunk reserves the right to change specifications and designs without notice. Data is the copyright of Unitrunk Ltd and not to be reproduced or passed to a third party without written consent.

Cable Trunking & Ducting Standard	Material Standard		Quality Recognition	
BS EN 50085-1 & BS EN 50085-2-1	BS EN 10346 (Pre Galv)			
Unitrunk Head Office: 4 Altona Road, Lisburn, BT27 5QB +44 28 9262 5100 info@unitrunk.co.uk unitrunk.co.uk unitrunk.ie	Lid Fixing	Torque Value		
	Retained Toggle	3 N m		
	Data Sheet Reference	Revision		
	Gusset Bend Inside Lid	2.01		



UNITRUNK