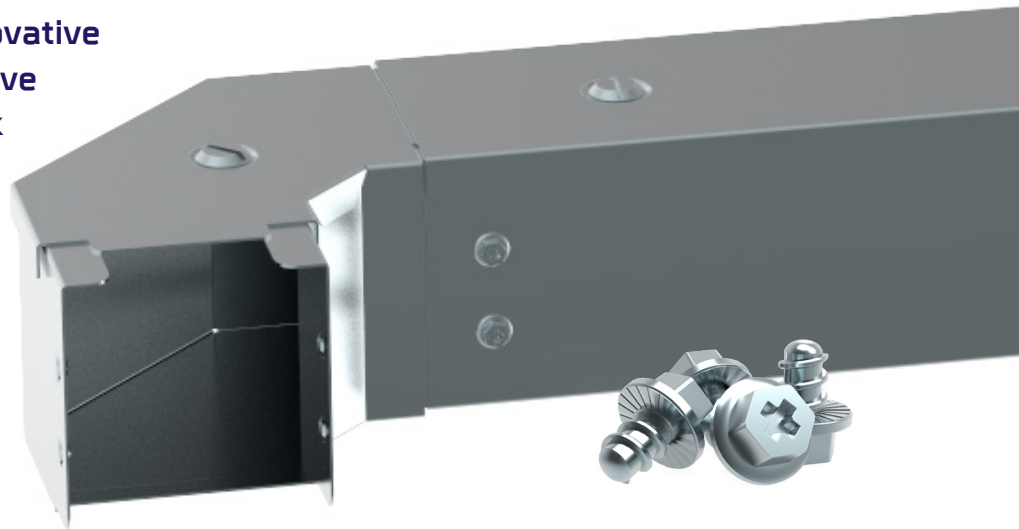


UP TO **6X** FASTER CABLE MANAGEMENT INSTALLATION

Introducing QuickFix, the innovative trunking range designed to save time onsite thanks to its quick and easy to install design.



UniBolt Fixings

Fast fitting UniBolt reduces installation times by up to 80%



IP4X Compliant

Compliant as standard with the easy to assemble system



Complete Range

Innovative, rapid installation cable management systems

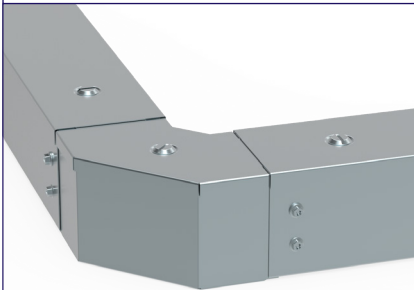


QuickFix

Known for our market leading engineering and product design for over 50 years, our new QuickFix range completes an already extensive offering of cable management solutions which focus primarily on reducing installation time on site using quality assured products.

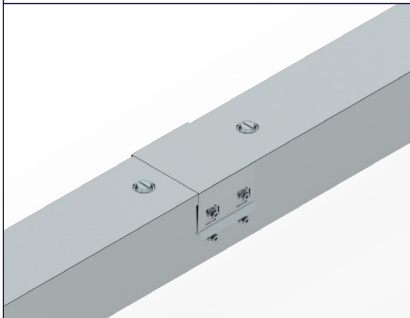
The QuickFix range can be installed up to 6 times faster than traditional alternatives. Manufactured from hot dipped galvanised sheet steel, the QuickFix range offers maximum strength and protection from corrosion. It couldn't be easier to install:

Length to fitting



- Slide the fitting's integrated coupler into the trunking length.
- Secure into place with the UniBolts supplied.
- Thanks to its engineered design once the lids are secured into place IP4X compliance is standard, meaning no extra components are required.

Length to length



- Cover straps are only required on length to length joints.
- Simply snap the cover strap into place to ensure IP4X compliance.
- Cover straps are supplied with QuickFix lengths as standard. Cover straps can be ordered separately using code - TS.

UniBolt



- The UniBolt's simple, yet effective design, enables cable management system installation times to be reduced by as much as 80%.
- Universal head
- Bespoke thread
- Serration and domed safety end

