



TE'S CROMPTON INSTRUMENTS CURRENT TRANSFORMERS

Table of contents

I. Tape Wound Measuring and Protection Current Transformers



MR Series Measuring Range.....	6-7
PR Series Measuring Range.....	8
Class PX Current Transformer.....	9
Miniature Measuring Range.....	10
Miniature Moulded Case.....	11

II. Split Core Current Transformers



Split Core Current Transformers.....	14-15
Miniature Split Core Current Transformers.....	16-17

III. 3-in-1 Current Transformers



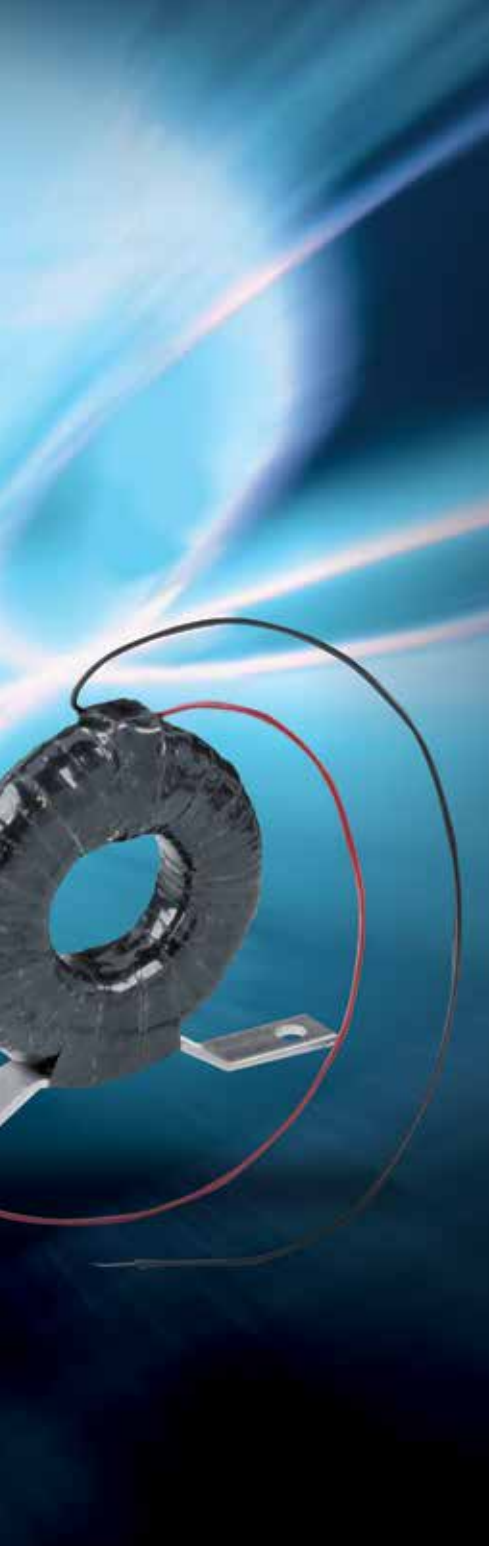
3-in-1 Current Transformers.....	20
Din-Rail Enclosure 3-in-1 Current Transformers.....	21
Dual Load 3-in-1 Current Transformers.....	22
Q2C 3-in-1 Current Transformers.....	23

IV. Moulded Case Current Transformers



Ebony Excel Current Transformers.....	26-47
Ebony Excel Plus Current Transformers	48-64





Chapter I

Tape Wound Measuring and Protection Current Transformers

MR Series Measuring Range.....	6-7
PR Series Measuring Range.....	8
Class PX Current Transformer.....	9
Miniature Measuring Range.....	10
Miniature Moulded Case.....	11

MR Series Measuring Range

FEATURES

- Available in a wide range of transformer ratings
- Accuracy up to Class 0.5
- Measuring or protective types

APPLICATIONS

- Switchgear
- Control panels
- Overload protection
- Control devices

BENEFITS

- Long product life



A comprehensive range of measuring ring current transformers for installation where reliability, accuracy and quality are required.

CONSTRUCTION

High grade silicon iron cores are carefully selected, then insulated and protected by a polypropylene covering on which the secondary winding is toroidally wound by precision winding machines. Multi layers of polyester and PVC are then applied to provide a tough moisture resistant coating.

SPECIFICATIONS

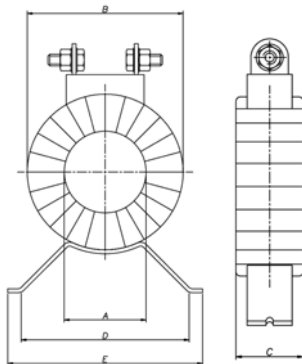
System voltage:	720V maximum
Test voltage:	3kV for 1 minute
System frequency:	50/60Hz
Overload withstand:	1.2 x rated current continuously
Short circuit thermal:	60 x rated primary current for 1 second current (Ith)*:
Dynamic current (Idyn)*:	= 2.55 x Ith
Service temperature:	-20°C to 70°C
Secondary current:	5A or 1A
Complies with:	IEC61869-2, BS EN60044-1
Saturation coefficient:	<6
Humidity:	Up to 95% RH (non condensing)
Insulation class:	BS EN60085 Class Y
Mounting hardware:	Foot mounted

Loss in copper wires between instrument and CT for 5A secondary

Wire section in mm ²	Loss in VA (for both wires)					
	1 m	2 m	4 m	6 m	8 m	10 m
1.5	0.60	1.19	2.38	3.57	4.76	5.95
2.5	0.36	0.71	1.43	2.14	2.86	3.57
4	0.22	0.45	0.89	1.34	1.79	2.23
6	0.15	0.30	0.60	0.89	1.19	1.49
10	0.09	0.18	0.36	0.54	0.71	0.89

Loss in copper wires between instrument and CT for 1A secondary

Wire section in mm ²	Loss in VA (for both wires)					
	10m	20m	40m	60m	80m	100m
1	0.36	0.71	1.43	2.14	2.86	3.57
1.5	0.24	0.48	0.95	1.43	1.90	2.38
2.5	0.14	0.29	0.57	0.86	1.14	1.43
4	0.09	0.18	0.36	0.54	0.71	0.89
6	0.06	0.12	0.24	0.36	0.48	0.60
10	0.04	0.07	0.14	0.21	0.29	0.36



* THERMAL CURRENT (ITH) & DYNAMIC CURRENT (LDYN).
LTH IS THE HIGHEST PRIMARY CURRENT (EFFECTIVE VALUE), THE LDYN IS THE HIGHEST PRIMARY CURRENT (PEAK VALUE) THAT THE CT CAN SUPPORT FOR 1 SECOND WITHOUT DAMAGE, OWING TO EXCESSIVE OVERLOADS WITH SECONDARY SHORT CIRCUITS.

MR Series Measuring Range

MR transformers are used to accurately measure high alternating primary currents, converting the primary current into a proportional secondary current as required for measurement and instrumentation. They are available in 5 amp or 1 amp secondary versions.

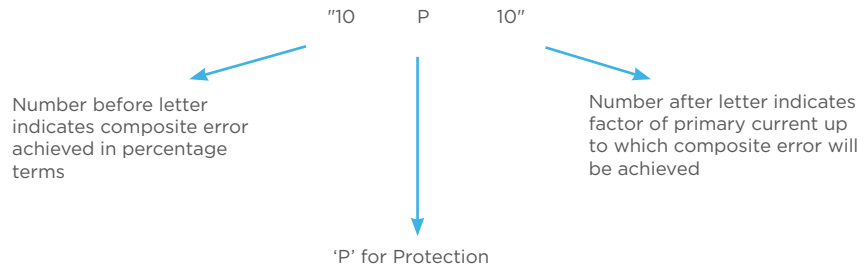
Part number	Ratio range	Class 3	Class 1	Class 0.5	A	B	C	D	Approx. weight
MR-28-40/5A	40/5	1.5	-	-	28	70	40	77.5	0.5
MR-28-50/5A	50/5	2	-	-	28	70	40	77.5	0.5
MR-28-60/5A	60/5	2.5	-	-	28	70	40	77.5	0.5
MR-28-40/1A	40/1	1.5	-	-	22	60	50	70	0.5
MR-28-50/1A	50/1	2	-	-	22	60	40	70	0.5
MR-28-60/1A	60/1	2.5	-	-	22	60	40	70	0.5
MR-42-80/5A	80/5	1.5	-	-	42	80	30	86	0.5
MR-42-100/5A	100/5	3.75	1.25	-	42	80	30	86	0.5
MR-42-150/5A	150/5	5	2.5	1	42	80	30	86	0.5
MR-42-200/5A	200/5	7.5	5	2.5	42	80	30	86	0.5
MR-42-250/5A	250/5	10	5	2.5	42	80	30	86	0.5
MR-42-80/1A	80/1	1.5	-	-	40	72	26	70	0.5
MR-42-100/1A	100/1	5	1.5	-	40	72	45	70	0.5
MR-42-150/1A	150/1	5	3	-	40	72	40	70	0.5
MR-42-200/1A	200/1	7.5	5	3	40	72	40	70	0.5
MR-42-250/1A	250/1	10	7.5	2.5	40	72	40	70	0.5
MR-45-300/5A	300/5	10	7.5	3.75	45	80	30	86	0.5
MR-45-400/5A	400/5	15	7.5	5	45	80	30	86	0.5
MR-45-300/1A	300/1	10	10	5	45	83	32	100	0.5
MR-45-400/1A	400/1	15	10	5	45	83	32	100	0.5
MR-60-400/5A	400/5	15	7.5	5	60	100	30	86	0.5
MR-60-500/5A	500/5	15	10	5	60	100	30	86	0.5
MR-60-600/5A	600/5	20	10	7.5	60	100	30	86	0.5
MR-60-400/1A	400/1	15	7.5	5	58	100	30	100	0.5
MR-60-500/1A	500/1	20	15	5	58	100	32	100	0.5
MR-60-600/1A	600/1	20	15	10	58	100	32	100	0.5
MR-85-800/5A	800/5	20	10	7.5	85	124	30	86	0.5
MR-85-1000/5A	1000/5	30	15	10	85	124	30	86	1
MR-85-1200/5A	1200/5	30	15	10	85	124	30	86	1
MR-85-1500/5A	1500/5	30	15	10	85	124	30	86	1
MR-85-1600/5A	1600/5	30	15	10	85	124	30	86	1
MR-85-800/1A	800/1	20	15	10	84	122	30	100	0.5
MR-85-1000/1A	1000/1	25	20	15	94	135	30	100	1
MR-85-1200/1A	1200/1	25	20	15	94	135	30	100	1
MR-85-1500/1A	1500/1	25	20	15	94	135	30	100	1
MR-85-1600/1A	1600/1	25	20	15	94	135	30	100	1
MR-125-2000/5A	2000/5	30	20	15	125	160	30	86	1
MR-125-2500/5A	2500/5	30	20	15	125	160	30	86	-
MR-125-3000/5A	3000/5	30	20	15	125	160	30	86	1
MR-125-4000/5A	4000/5	30	20	15	125	160	30	86	1
MR-125-2000/1A	2000/1	25	20	15	132	175	30	150	1.5
MR-125-2500/1A	2500/1	25	20	15	132	175	30	150	1.5
MR-125-3000/1A	3000/1	25	20	15	125	180	32	150	1.5
MR-125-4000/1A	4000/1	25	20	15	140	215	45	150	4.5

PR Series Protection Range



IEC61869-2/BS EN60044-1 commonly define protection current transformers in terms of composite error at an accuracy limit factor. In simple terms this means how accurate the current transformer will remain when the primary current flowing is many times higher than in normal conditions i.e. in a fault situation.

The classification of protection current transformers follows the following simple formula:



Manufacturers of protection devices will normally specify the classification for the protection current transformer intended to operate the particular protection device concerned.

In addition the classification of protection current transformers indicates accuracy class: 5P – current transformer will have a ratio error of 1% and phase error not exceeding 60 minutes. 10P – current transformer will have a ratio error of 3% (no level of phase error specified).

The PR series is a range of two of the most popular classifications of protection current transformers, 5P10 and 10P10. Other classifications are possible (such as 5P20 or 10P20). Please consult factory for a quotation should you require an alternative classification or a current transformer with dimensions different to those set out below.

Part number	Ratio range	VA burden	Accuracy class	A	B	C	D	Approx. weight
PR-35-100/5A-2.5	100/5	2.5	10P10	35	98	60	100	2
PR-35-100/5A-5	100/5	5	10P10	35	98	90	100	3
PR-35-120/5A-2.5	120/5	2.5	10P10	35	98	55	100	2
PR-35-120/5A-5	120/5	5	10P10	35	98	85	100	3
PR-35-150/5A-2.5	150/5	2.5	5P10 & 10P10	35	98	50	100	1.5
PR-35-150/5A-5	150/5	5	5P10 & 10P10	35	98	70	100	2.5
PR-35-200/5A-2.5	200/5	2.5	5P10 & 10P10	35	98	40	100	1
PR-35-200/5A-5	200/5	5	5P10 & 10P10	35	98	60	100	2
PR-35-250/5A-2.5	250/5	2.5	5P10 & 10P10	35	98	35	100	1
PR-35-250/5A-5	250/5	5	5P10 & 10P10	35	98	55	100	1.5
PR-55-300/5A-5	300/5	5	5P10 & 10P10	55	98	75	100	1.5
PR-55-300/5A-15	300/5	15	5P10 & 10P10	55	125	90	100	4
PR-55-400/5A-5	400/5	5	5P10 & 10P10	55	98	60	100	1.5
PR-55-400/5A-15	400/5	15	5P10 & 10P10	55	125	65	100	3
PR-55-500/5A-5	500/5	5	5P10 & 10P10	55	98	55	100	1
PR-55-500/5A-15	500/5	15	5P10 & 10P10	55	125	60	100	2.5
PR-55-600/5A-5	600/5	5	5P10 & 10P10	55	98	50	100	1
PR-55-600/5A-15	600/5	15	5P10 & 10P10	55	125	55	100	2.5
PR-65-800/5A-5	800/5	5	5P10 & 10P10	65	110	40	100	1
PR-65-800/5A-15	800/5	15	5P10 & 10P10	65	110	80	100	3
PR-80-1000/5A-15	1000/5	15	5P10 & 10P10	80	125	70	100	2
PR-80-1200/5A-15	1200/5	15	5P10 & 10P10	80	125	65	100	2.5
PR-90-1500/5A-15	1500/5	15	5P10 & 10P10	90	140	55	100	2.5
PR-90-1600/5A-15	1600/5	15	5P10 & 10P10	90	140	55	100	2.5
PR-100-2000/5A-15	2000/5	15	5P10 & 10P10	100	155	55	100	3
PR-110-2500/5A-15	2500/5	15	5P10 & 10P10	110	165	45	100	3
PR-120-3000/5A-15	3000/5	15	5P10 & 10P10	120	180	45	150	3

Consult factory for availability and lead time on 1A secondary for protection range. 1A current transformer dimensions may vary by up to 10%.

Class PX Current Transformer



In some balanced protection systems where sensitivity and stability levels required are high, classes 5P10 or 10P10 may not be adequate. In these situations a Class PX current transformer will usually be specified. Class PX as defined in IEC61869-2/BS EN60044-1 allows the manufacturer of a protection device to detail more specific requirements of the current transformer so as to achieve a more sensitive protection scheme. Typically this will involve specifying the following information for the current transformer:

- 1) Turns ratio
- 2) Minimum kneepoint voltage
- 3) Maximum secondary resistance
- 4) Maximum excitation current at the rated minimum kneepoint voltage

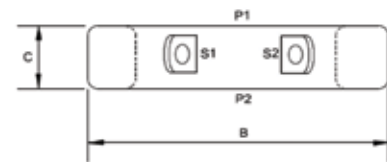
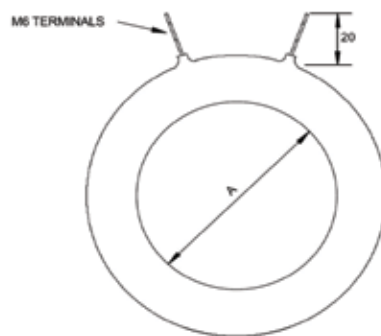
To enquire about Class PX current transformers consult the factory with the above information together with any physical limiting dimensions and the aperture size required. If not all the above information is available, details of relay type, lead run from current transformer to relay and the fault current expected to flow through the zone protected by the current transformers will be required in order to provide a quotation.

SPECIFICATIONS

System voltage:	720V maximum
Test voltage:	3kV for 1 minute
System frequency:	50/60Hz
Service temperature:	-20°C to 70°C
Humidity:	Up to 95% RH (non condensing)
Insulation class:	BS2757 Class Y
Compliant with:	Ring Type CT BS EN60044-1:1999

Part number	Ratio	Class	Vk	Ω at 75°C	Dimensions		
					A	B	C
81X-9412-501388	800/5	PX	52	0.35	65	135	65
81X-9412-501795	1000/5	PX	62	0.31	80	150	65
81X-9412-501802	1250/5	PX	85	0.45	90	160	65
81X-9412-501928	1600/5	PX	80	0.44	120	190	50
81X-9412-501386	1600/5	PX	72	0.5	123	188	49
81X-9412-501902	2500/5	PX	112	0.6	120	192	52
81X-9412-216148	2500/5	PX	124	0.78	119	191	52
81X-9412-501384	2500/5	PX	112	0.8	119	191	52
81X-9412-501948	2500/5A	PX	130	0.65	120	205	65
81X-9412-501949	2000/5A	PX	118	0.58	115	195	65
81X-9412-501950	1600/5A	PX	110	0.45	75	185	75

DIMENSIONS



Miniature Measuring Range



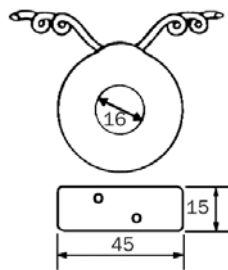
A range of Wedding ring Miniature Tape wound current transformers whose size permits PCB mounting. Designed to convert high currents to low level electronic signals. Available in tape wound with ring or foot mounting versions or in a moulded case.

SPECIFICATIONS

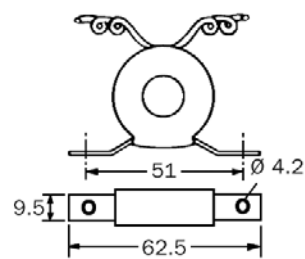
Primary current range:	10A-100A
Secondary output:	10mA-100mA
VA output:	0.015VA-0.15VA
System frequency:	50/60Hz
Service temperature:	0°C to + 80°C
Insulation class:	BS EN60085 Class Y
Operating voltage:	720V AC
Operating voltage:	720V AC
Test voltage:	2kV DC
Test voltage:	2kV DC
20-80%:	1.5%
81-120%:	1%

Part number	Ratio range	Type
773-01-P-FL	10A-100A/10mA-100mA	Ring type, flexible lead 150 mm
773-02-P-FL	10A-100A/10mA-100mA	Ring type, flexible lead 450 mm
773-01-F-FL	10A-100A/10mA-100mA	Ring type, foot mounting, flexible lead 150 mm

RING TYPE (P)



FOOT MOUNTING OPTION (F)



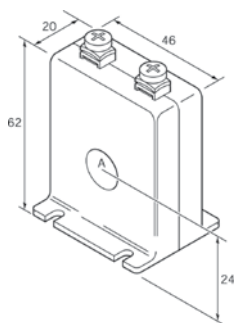
Miniature Molded Case Current Transformer



SPECIFICATIONS

Service temperature:	-20°C to + 85°C
Insulation class:	BS EN60085 Class Y

Part number	Ratio range	Type
773-01-MC	10A-100A/10mA-100mA	Moulded case



DIMENSIONS

A = 16 mm transformer ratings
 Fixing centres 30 mm x 30 mm
 M3.5 terminal screw and clamp





Chapter 2 Split Core Current Transformers

Split Core Current Transformers.....	14-15
Miniature Split Core Current Transformers.....	16-17

Split Core Current Transformers

FEATURES

- High quality comprehensive measurements
- Available in a wide range of transformer ratings
- Accuracy up to Class 0.5
- Foot or busbar mounted

APPLICATIONS

- Switchgear
- Distribution systems
- Generator sets
- Control panels

BENEFITS

- Faster installation
- Cost effective
- Long product life



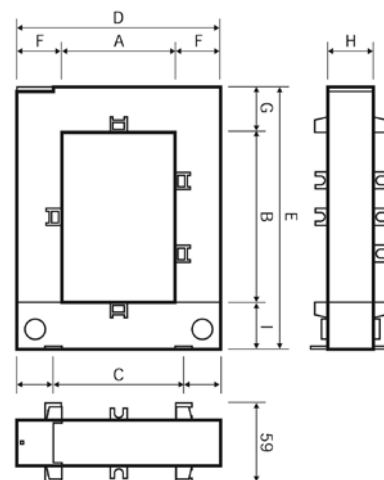
A range of split core current transformers that offers a cost effective and efficient method by which the current can be measured without the need to break the conductor, thereby reducing installation and commissioning time.

SPECIFICATIONS

System voltage:	720V (0.72kV) maximum
Test voltage:	3kV for 1 minute
System frequency:	50/60Hz
Insulation class:	E
Overload withstand:	1.2 times rated current continuously
Short circuit thermal:	100 x rated primary for 1 second
Operating temperature:	-20 °C to +70 °C
Relative humidity:	0-90% (non condensing)
Compliant with:	IEC61869-2, BS7626
Accuracy:	Class 3, 1 & 0.5
Mounting hardware:	Plug-in metal feet for wall or base mounting or moulded busbar mounting
Rated dynamic current:	= 2.55 x I _{ht}
Enclosure:	Flame retardant grade classified UL 94V-O

Model	Case 1	Case 2	Case 3	Case 4	Case 5
A	20	50	80	80	80
B	30	80	80	120	160
C	51	78	108	108	120
D	89	114	144	144	184
E	111	145	145	185	245
F	34	32	32	32	52
G	47	32	32	32	52
H	40	32	32	32	52
I	32	33	33	33	38
Weight (kg)	0.75	0.90	1.05	1.25	4.30

DIMENSIONS



Split Core Current Transformers

PRODUCT CODES

	Part number	Ratio	Burden VA against class index			Aperture (mm)
			0.5	1	3	
Case 1	SC1-100/5A	100/5A	-	-	1.5	20 x 30
	SC1-150/5A	150/5A	-	-	2	20 x 30
	SC1-200/5A	200/5A	-	1.5	2.5	20 x 30
	SC1-250/5A	250/5A	-	2	4	20 x 30
	SC1-300/5A	300/5A	1.5	4	6	20 x 30
	SC1-400/5A	400/5A	2.5	6	10	20 x 30
	SC2-250/5A	250/5A	1	2	4	50 x 80
Case 2	SC2-300/5A	300/5A	1.5	3	6	50 x 80
	SC2-400/5A	400/5A	1.5	3	10	50 x 80
	SC2-500/5A	500/5A	2.5	5	15	50 x 80
	SC2-600/5A	600/5A	2.5	5	15	50 x 80
	SC2-750/5A	750/5A	3	6	20	50 x 80
	SC2-800/5A	800/5A	3	7.5	20	50 x 80
	SC2-1000/5A	1000/5A	5	10	20	50 x 80
	SC3-250/5A	250/5A	1	2	4	80 x 80
Case 3	SC3-300/5A	300/5A	1.5	3	6	80 x 80
	SC3-400/5A	400/5A	1.5	3	10	80 x 80
	SC3-500/5A	500/5A	2.5	5	15	80 x 80
	SC3-600/5A	600/5A	2.5	5	15	80 x 80
	SC3-750/5A	750/5A	3	6	20	80 x 80
	SC3-800/5A	800/5A	3	7.5	20	80 x 80
	SC3-1000/5A	1000/5A	5	10	20	80 x 80
Case 4	SC4-500/5A	500/5A	-	4	12.5	80 x 120
	SC4-600/5A	600/5A	-	5	15	80 x 120
	SC4-750/5A	750/5A	2.5	6	17.5	80 x 120
	SC4-800/5A	800/5A	3	7.5	20	80 x 120
	SC4-1000/5A	1000/5A	5	10	20	80 x 120
	SC4-1200/5A	1200/5A	6	12.5	25	80 x 120
	SC4-1250/5A	1250/5A	7.5	15	30	80 x 120
	SC4-1500/5A	1500/5A	8	17	30	80 x 120
	SC4-1600/5A	1600/5A	8	17	30	80 x 120
Case 5	SC5-1000/5A	1000/5A	10	15	20	80 x 160
	SC5-1250/5A	1250/5A	10	15	20	80 x 160
	SC5-1500/5A	1500/5A	15	20	25	80 x 160
	SC5-2000/5A	2000/5A	15	20	25	80 x 160
	SC5-2500/5A	2500/5A	15	20	25	80 x 160
	SC5-3000/5A	3000/5A	20	25	30	80 x 160
	SC5-4000/5A	4000/5A	20	25	30	80 x 160
	SC5-5000/5A	5000/5A	20	25	30	80 x 160
SC5-6000/5A	6000/5A	20	25	30	80 x 160	

Miniature Split Core Current Transformers



FEATURES

- Cost effective moulded case
- Ratio's ranging from 60/1 to 500/5
- Fast cable clamp connection
- Multiple fixing options
- Safety plug in shorting link

BENEFITS

- Faster installation
- Compact size profile applications

A range of miniature split core current transformers that offers a cost effective and efficient method by which the current can be measured without the need to break the conductor, each current transformer is supplied with colour coded leads of up to 3 meters for connection to the monitoring device. The MSC range of current transformers offers primary currents between 60-500A with 1 or 5A secondaries with class 1 accuracy performance. (Class 3 for 60-80A range).

ACCESSORIES



SHORTING LINK FOR SAFE INSTALLATION, (CT WILL NOT OPERATE UNTIL REMOVED).

Fixing kit supplied



SPECIFICATIONS

System voltage:	720V maximum
Test voltage:	3kV for 1 minute
System frequency:	50Hz or 60Hz
Primary ratings:	60A to 500A
Short circuit thermal current:	60 x rated primary current (Ith): for 1 sec
Overload withstand:	1.2 x rated current continuously
Rated dynamic current:	= 2.55 x Iht
Secondary leads:	1A, (length 3m), 5A (length 1m) 2.5 mm wire
Enclosure:	Flame retardant grade classified UL 94V-2
Aperture holes centres:	18 mm up to 250A, 28 mm from 300A - 500A
Operating temperature:	-20°C to +55°C
Accuracy class:	1, 3
Compliant with:	IEC/EN 61869-2
Storage temperature:	-20°C to 70°C

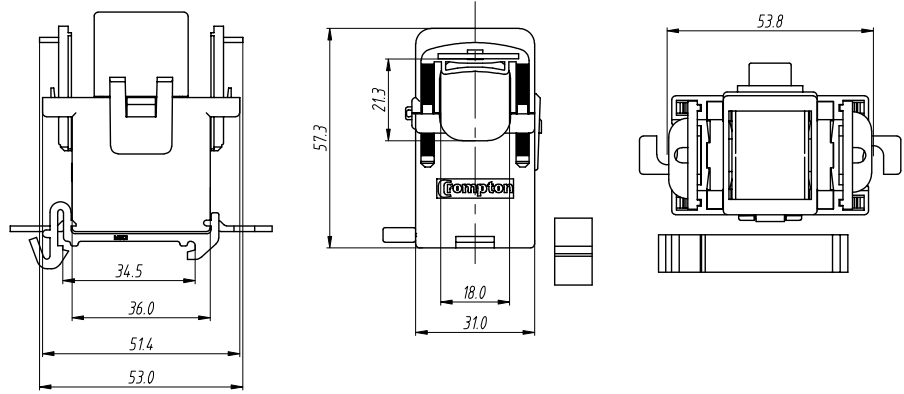
PRODUCT CODES

Part number	Ratio	Class	Burden VA	Aperture	Lead length	Case	Wire colour	Approx. weight
MSC1-60/1	60/1	3	0.1	18 mm	3 m	Size 1	White S1 and Black S2	57.3, 31, 53, 18
MSC1-75/1	75/1	3	0.1	18 mm	3 m	Size 1	White S1 and Black S2	57.3, 31, 53, 18
MSC1-80/1	80/1	3	0.15	18 mm	3 m	Size 1	White S1 and Black S2	57.3, 31, 53, 18
MSC1-100/1	100/1	1	0.2	18 mm	3 m	Size 1	White S1 and Black S2	57.3, 31, 53, 18
MSC2-100/1	100/1	1	1	18 mm	3 m	Size 2	White S1 and Black S2	72.7, 44.5, 61.5, 18
MSC2-100/5	100/5	1	1	18 mm	1 m	Size 2	White S1 and Black S2	72.7, 44.5, 61.5, 18
MSC2-150/1	150/1	1	1	18 mm	3 m	Size 2	White S1 and Black S2	72.7, 44.5, 61.5, 18
MSC2-150/5	150/5	1	1	18 mm	1 m	Size 2	White S1 and Black S2	72.7, 44.5, 61.5, 18
MSC2-200/1	200/1	1	1	18 mm	3 m	Size 2	White S1 and Black S2	72.7, 44.5, 61.5, 18
MSC2-200/5	200/5	1	1	18 mm	1 m	Size 2	White S1 and Black S2	72.7, 44.5, 61.5, 18
MSC2-250/1	250/1	1	1	18 mm	3 m	Size 2	White S1 and Black S2	72.7, 44.5, 61.5, 18
MSC2-250/5	250/5	1	1	18 mm	1 m	Size 2	White S1 and Black S2	72.7, 44.5, 61.5, 18
MSC3-300/1	300/1	1	1.5	28 mm	3 m	Size 3	White S1 and Black S2	71.7, 44.5, 62.2, 28
MSC3-300/5	300/5	1	1.5	28 mm	1 m	Size 3	White S1 and Black S2	71.7, 44.5, 62.2, 28
MSC3-400/1	400/1	1	2.5	28 mm	3 m	Size 3	White S1 and Black S2	71.7, 44.5, 62.2, 28
MSC3-400/5	400/5	1	2.5	28 mm	1 m	Size 3	White S1 and Black S2	71.7, 44.5, 62.2, 28
MSC3-500/1	500/1	1	2.5	28 mm	3 m	Size 3	White S1 and Black S2	71.7, 44.5, 62.2, 28
MSC3-500/5	500/5	1	2.5	28 mm	1 m	Size 3	White S1 and Black S2	71.7, 44.5, 62.2, 28

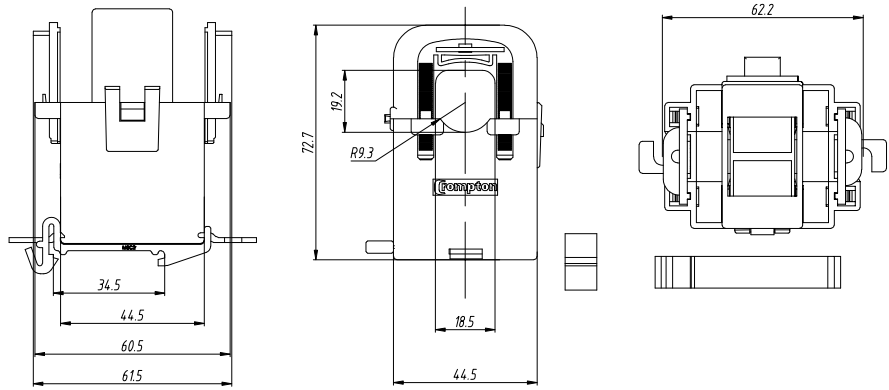
Miniature Split Core Current Transformers



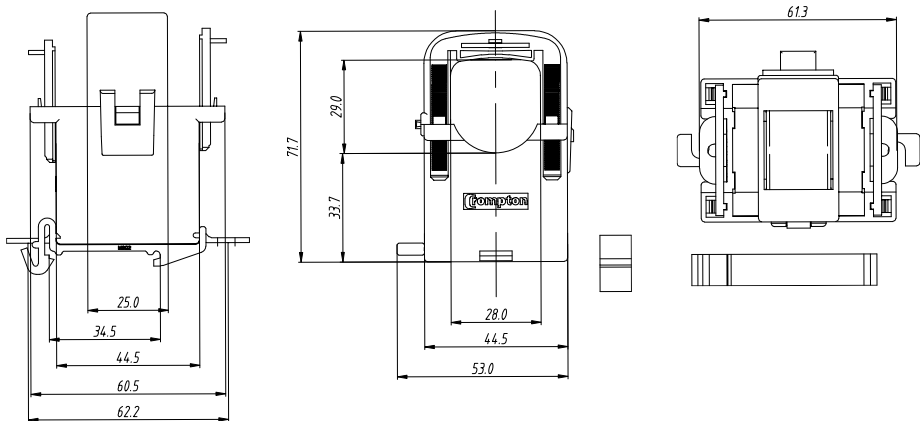
MSC1



MSC2



MSC3







Chapter 3

3-in-1 Current Transformers

3-in-1 Current Transformers.....	20
Din-Rail Enclosure 3-in-1 Current Transformers.....	21
Dual Load 3-in-1 Current Transformers.....	22
Q2C 3-in-1 Current Transformers.....	23

3-in-1 Current Transformers

FEATURES

- Cost effective three-phase moulded case
- Ratio's ranging from 60/5 to 630/5
- Integrated wire sealable terminal cover
- Busbar, DIN-rail and metal feet mounting hardware supplied
- Combined M4 posi/slot screw



APPLICATIONS

- Switchgear
- Distribution systems
- Generator sets
- Control panels

BENEFITS

- Isolated output for safety
- Faster installation
- Compact size
- Ex-stock delivery

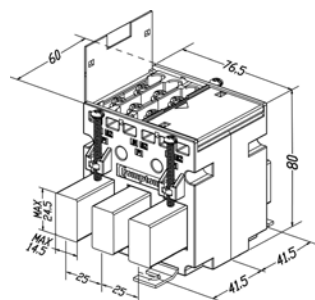
A range of 3-in-1 current transformers combine three traditional current transformers in one moulded case. 3-in-1 current transformers can be directly installed next to a three-phase moulded case circuit breaker, thus saving installation time where fitting three standard individual current transformers would be required. The M3N1 range of current transformers offers primary currents between 60-630A with 5A secondaries with up to Class 0.5 accuracy performance.

SPECIFICATIONS

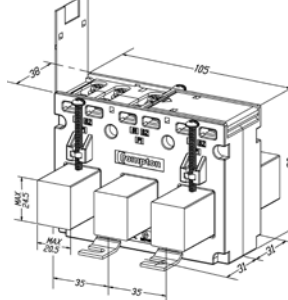
System voltage:	720V maximum
Test voltage:	3kV for 1 minute
System frequency:	50Hz or 60Hz
Primary ratings:	60A to 630A
Short circuit thermal current:	60 x rated primary current (Ith): for 1 sec
Overload withstand:	1.2 x rated current continuously
Rated dynamic current:	= 2.55 x Ith
Secondary terminals:	M4 screw terminals
Enclosure:	Flame retardant grade classified UL 94V-O
Aperture holes centres:	25, 35, 45 mm
Operating temperature:	-20°C to +85°C
Accuracy:	Class 0.5, 1, 3
Mounting hardware:	Plug-in metal feet for wall or base mounting Busbar and DIN-rail mounting
Compliant with:	IEC/EN60044-1

Part number	Ratio	Burden VA against class index			Aperture (mm)
		Class 0.5	Class 1	Class 3	
M3N1-25-60/5	60/5	-	1	2	3@14.5 x 24.5 mm
M3N1-25-100/5	100/5	-	1.5	2.5	3@14.5 x 24.5 mm
M3N1-25-125/5	125/5	-	1.5	2.5	3@14.5 x 24.5 mm
M3N1-25-150/5	150/5	1.5	1.5	2.5	3@14.5 x 24.5 mm
M3N1-25-160/5	160/5	1.5	1.5	2.5	3@14.5 x 24.5 mm
M3N1-35-100/5	100/5	-	1.5	2	3@20.5 x 24.5 mm
M3N1-35-125/5	125/5	-	1.5	2.5	3@20.5 x 24.5 mm
M3N1-35-150/5	150/5	-	1.5	2.5	3@20.5 x 24.5 mm
M3N1-35-160/5	160/5	1.5	1.5	2.5	3@20.5 x 24.5 mm
M3N1-35-200/5	200/5	1.5	1.5	2.5	3@20.5 x 24.5 mm
M3N1-35-250/5	250/5	1.5	1.5	2.5	3@20.5 x 24.5 mm
M3N1-45-250/5	250/5	1.5	1.5	2.5	3@30.5 x 30.5 mm
M3N1-45-300/5	300/5	2.5	2.5	3.75	3@30.5 x 30.5 mm
M3N1-45-400/5	400/5	2.5	2.5	3.75	3@30.5 x 30.5 mm
M3N1-45-500/5	500/5	2.5	2.5	3.75	3@30.5 x 30.5 mm
M3N1-45-600/5	600/5	2.5	2.5	3.75	3@30.5 x 30.5 mm
M3N1-45-630/5	630/5	2.5	2.5	3.75	3@30.5 x 30.5 mm

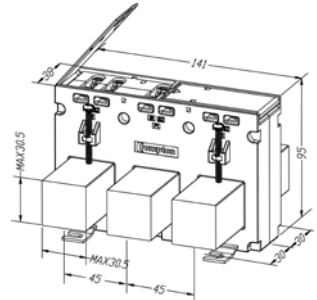
M3N1-25



M3N1-35



M3N1-45



Din-Rail Enclosure 3-in-1 Current Transformers

FEATURES

- Cost effective three-phase moulded case
- Ratio's ranging from 50/5 to 250/5
- Two part connector for fast installation
- Complete with cable assembly

APPLICATIONS

- Switchgear
- Distribution systems
- Generator sets
- Control panels

BENEFITS

- Long product life
- Faster installation
- Compact size

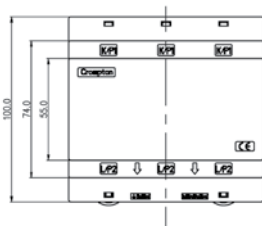
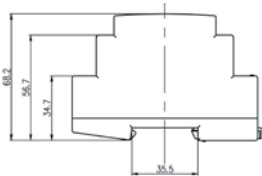
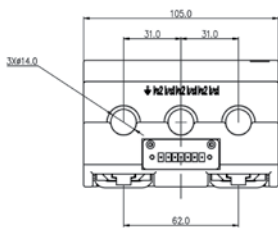


A range of 3-in-1 current transformers combine three traditional current transformers in one Low profile DIN-rail enclosure. 3-in-1 current transformers can be directly mounted onto a DIN-rail, thus saving installation time where fitting three standard individual current transformers would be required. The 3-in-1 range of current transformers offers primary currents between 50-250A with 5A secondaries with up to class 0.5 accuracy performance.

SPECIFICATIONS

System voltage:	720V maximum
Test voltage:	3kV for 1 minute
System frequency:	50Hz or 60Hz
Primary ratings:	50A to 160A
Short circuit thermal current:	60 x rated primary current (Ith): for 1 sec
Overload withstand:	1.2 x rated current continuously
Rated dynamic current:	= 2.55 x Iht
Secondary terminals:	7 way screw clamp connector
Cable assembly:	Open ended loom/harness CT fixed/open at meter connection, 1 mm ² LSZH cable (lengths specified in part number table)
Enclosure:	Flame retardant grade classified UL 94V-O
Aperture holes centres:	31 mm (cable through 13.5 mm) up to 150A, 36 mm (cable through 20 mm) from 160-250A
Operating temperature:	-20°C to +85°C
Accuracy class:	0.5, 1, 3
Compliant with:	IEC/EN 60044-1

DR3N1-50/5A - 150/5A

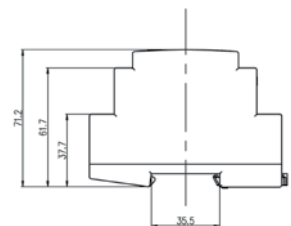
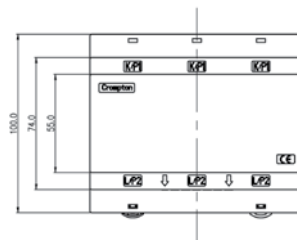
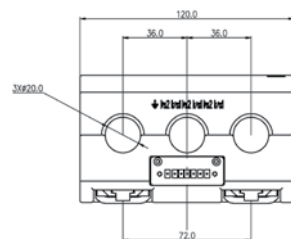


Part number	Ratio	Class 0.5 VA	Class 1 VA	Class 3 VA	Aperture (mm)	No. of modules	Cable length (M)
DR3N1-50/5	50/5A	-	1	1.5	3@13.5 x 31	6	1
DR3N1-60/5	60/5A	-	1	1.5	3@13.5 x 31	6	1
DR3N1-75/5	75/5A	-	1.5	2	3@13.5 x 31	6	1
DR3N1-80/5	80/5A	-	1.5	2.5	3@13.5 x 31	6	1
DR3N1-100/5	100/5A	2.5	3	3.75	3@13.5 x 31	6	2
DR3N1-125/5	125/5A	2.5	3	3.75	3@13.5 x 31	6	2
DR3N1-150/5	150/5A	2.5	3.75	5	3@13.5 x 31	6	2
DR3N1-160/5	160/5A	1.5	2.5	3.75	3@20 x 36	7	2
DR3N1-180/5	180/5A	2.5	3	3.75	3@20 x 36	7	2
DR3N1-200/5	200/5A	2.5	3.75	5	3@20 x 36	7	2
DR3N1-250/5	250/5A	3.75	5	6.25	3@20 x 36	7	2

DIMENSIONS

Part number	Width	Aperture	Mounting	Number of modules (width)
DR3N1-50/5A-150/5A	105 mm	13.5 mm	35 mm DIN-rail	6 (31 mm cable centres)
DR3N1-160/5A-250/5A	120 mm	20 mm	35 mm DIN-rail	7 (36 mm cable centres)

DR3N1-160/5A - 250/5A



RJ12 3-in-1 Current Transformer

FEATURES

- Busbar DIN-rail and metal feet (mounting hardware supplied)
- RJ12 socket for fast connection eliminate wiring errors
- Cable included (length 1.5 m)
- Low 60A ratio for more energy efficient loads
- Aperture hole centres 25, 35, 45, 70 mm



STANDARDS

- IEC61869-2



BENEFITS

- RJ12 connection for simple and easy error free installation



ALL CURRENT TRANSFORMERS ARE SUPPLIED WITH A 1.5M CONNECTING CABLE, WITH RJ12 CONNECTOR TERMINATION AT EACH END.

KEY FEATURE

- New CT label design shows correct metering setting for left hand and right hand mounting, current phasing and current flow.

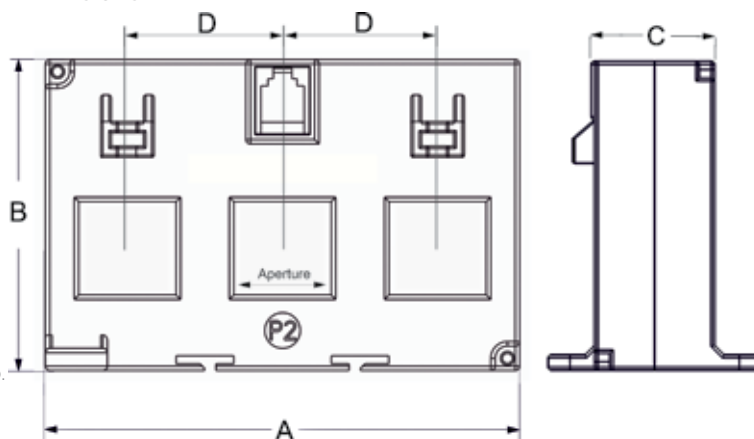
The 3-in-1 current transformer range are for use with the Integra digital metering system SL1-01/ DL1-01/TL1-01 and INT 1221 combines three traditional current transformers in one moulding case with a RJ12 connection for simple and easy error free installation.

SPECIFICATIONS

System voltage:	720V maximum
Test voltage:	3kV for 1 minute
System frequency:	50Hz or 60Hz
Primary ratings:	100mA AC rms. per CT
Overload withstand:	1.2 x rated current continuously
Enclosure:	Flame retardant grade classified UL94V-O
Aperture hole centres:	25mm, 35mm, 45mm, 70mm
Operating temperature:	-20°C to +85°C
Compliant with accuracy:	IEC61869-2 Class 0.5, Class 1

Part number	Primary Current	VA at Class 1	VA at Class 0.5	A (Width) mm	B (Height) mm	C (Depth) mm	D (Hole Centres) mm	Aperture mm
DL3N1-25-60/0.1	60A	0.25	-	76	78	30	25	3 @ 25 x 15
DL3N1-25-100/0.1	100A	0.35	0.25	76	78	30	25	3 @ 25 x 15
DL3N1-25-125/0.1	125A	0.35	0.25	76	78	30	25	3 @ 25 x 15
DL3N1-25-160/0.1	160A	0.35	0.25	76	78	30	25	3 @ 25 x 15
DL3N1-35-60/0.1	60A	0.25	-	107	70	35	35	3 @ 22 x 22
DL3N1-35-125/0.1	125A	0.5	0.25	107	70	35	35	3 @ 22 x 22
DL3N1-35-160/0.1	160A	0.35	0.25	107	70	35	35	3 @ 22 x 22
DL3N1-35-250/0.1	250A	0.5	0.25	107	70	35	35	3 @ 22 x 22
DL3N1-45-250/0.1	250A	0.25	-	142	86	40	45	3 @ 27 x 32
DL3N1-45-400/0.1	400A	-	0.25	142	86	40	45	3 @ 27 x 32
DL3N1-45-600/0.1	600A	-	0.25	142	86	40	45	3 @ 27 x 32
DL3N1-70-400/0.1	400A	-	0.25	212	100	40	70	3 @ 40 x 52
DL3N1-70-600/0.1	600A	-	0.25	212	100	40	70	3 @ 40 x 52
DL3N1-70-800/0.1	800A	-	0.25	212	100	40	70	3 @ 40 x 52
DL3N1-70-1000/0.1	1000A	-	0.25	212	100	40	70	3 @ 40 x 52
DL3N1-70-1200/0.1	1200A	-	0.25	212	100	40	70	3 @ 40 x 52
DL3N1-70-1600/0.1	1600A	-	0.25	212	100	40	70	3 @ 40 x 52

DIMENSIONS



CT LABEL



Q2C 3-in-1 Current Transformers

FEATURES

- Reversible mounting LHS and RHS
- Internal grounding/earthing facility
- Supplied with connector

A range of 3-in-1 current transformers for use with or without the Q2C wiring solution. The 3-in-1 current transformers combine three traditional current transformers in one moulded case with a pluggable locking connector for simple and easy installation.

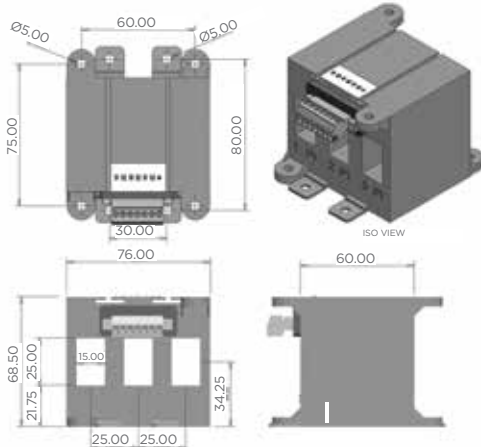
SPECIFICATIONS



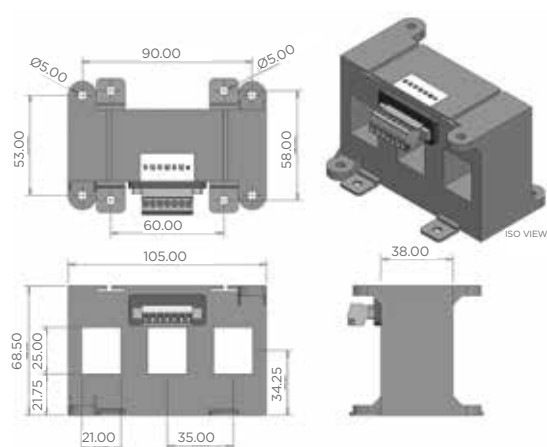
Part number	Ratio	Burden VA against class index			Aperture (mm)
		Class 0.5	Class 1	Class 3	
QC3N1-25-60/5	60/5	-	1	2	3 @ 15x25 mm
QC3N1-25-100/5	100/5	-	1.5	2.5	3 @ 15x25 mm
QC3N1-25-160/5	160/5	1.5	1.5	2.5	3 @ 15x25 mm
QC3N1-35-100/5	100/5	-	1.5	2	3 @ 21x25 mm
QC3N1-35-125/5	125/5	-	1.5	2.5	3 @ 21x25 mm
QC3N1-35-160/5	160/5	1.5	1.5	2.5	3 @ 21x25 mm
QC3N1-35-250/5	250/5	1.5	1.5	2.5	3 @ 21x25 mm
QC3N1-45-250/5	250/5	-	2.5VA	-	3 @ 32x27 mm
QC3N1-45-400/5	400/5	-	2.5VA	-	3 @ 32x27 mm
QC3N1-45-600/5	600/5	2.5VA	5VA	-	3 @ 32x27 mm
QC3N1-70-400/5	400/5	-	2.5VA	-	3 @ 52x40 mm
QC3N1-70-600/5	600/5	2.5VA	5VA	-	3 @ 52x40 mm
QC3N1-70-800/5	800/5	2.5VA	5VA	-	3 @ 52x40 mm

DIMENSIONS

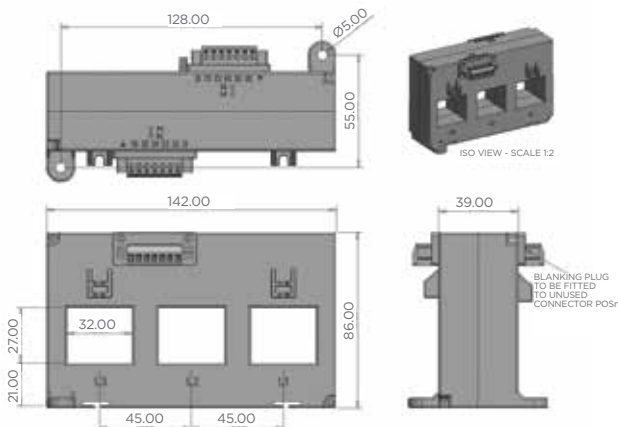
QC3N1-25



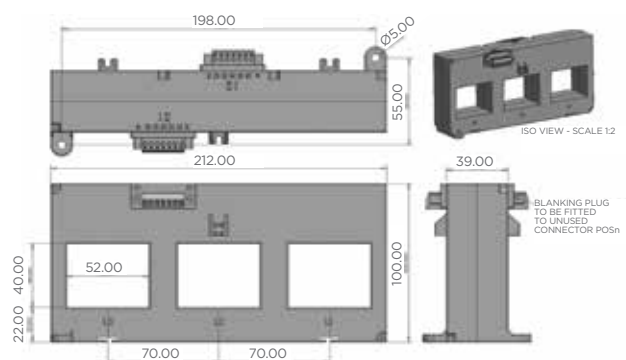
QC3N1-35

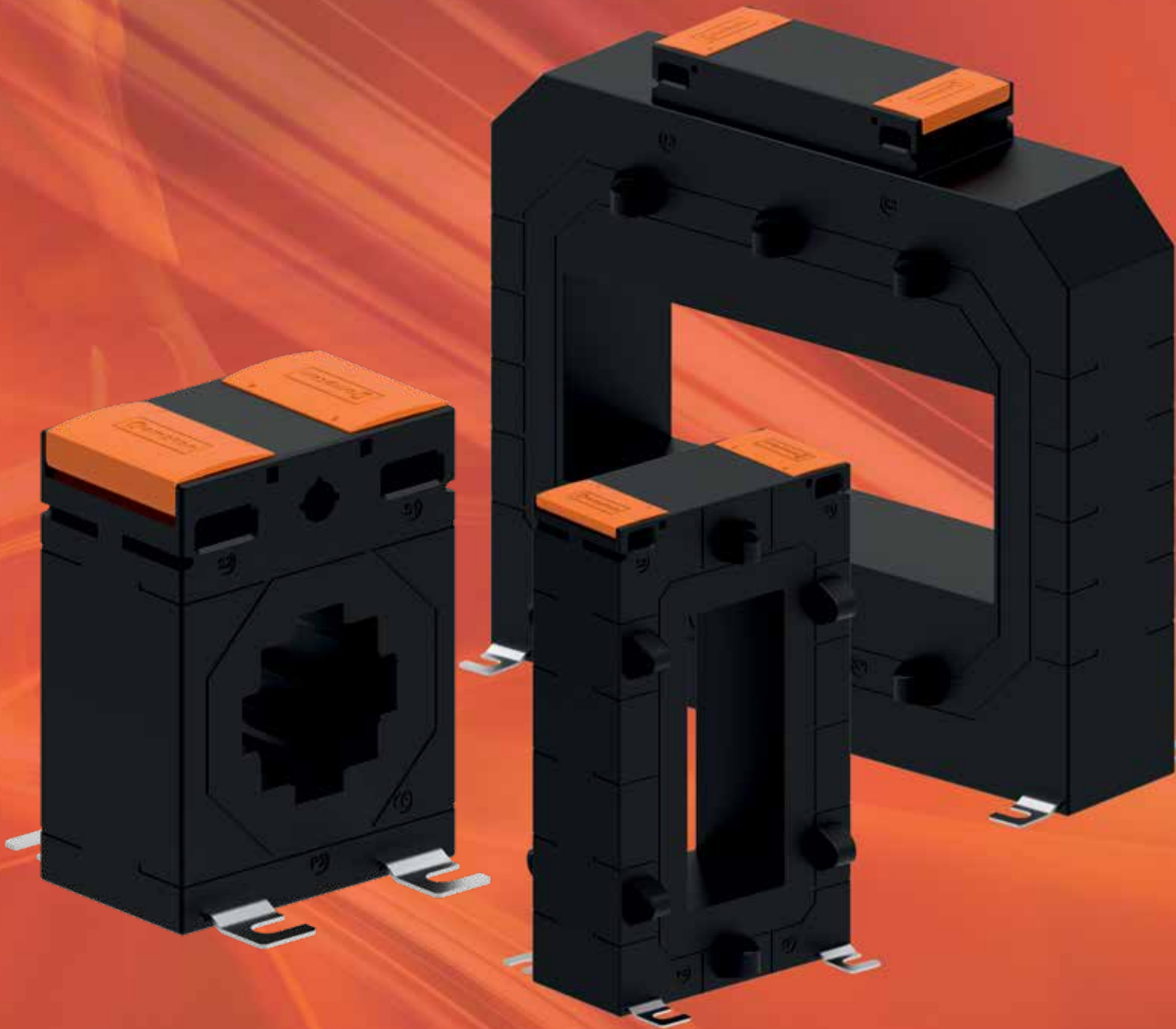


QC3N1-45



QC3N1-70





Chapter 4

Moulded Case Current Transformers

Ebony Excel Current Transformers.....	26-47
Ebony Excel Plus Current Transformers.....	48-64

Ebony Excel Current Transformers



TE'S Crompton Instruments **Ebony Excel** and **Ebony Excel Plus** range of Current Transformers offer wide system current ratings, apertures, busbar and case sizes to suit every application. Manufactured to meet IEC61869-2, the range benefits include ratio rating from 1/5 to 6000/5, a comprehensive range of class accuracies, hinged wire sealable terminal covers for safety and multiple mounting options.

CONSTRUCTION

The toroidal core and secondary winding is encapsulated with UL94V-0 approved polycarbonate, in moulded case providing excellent mechanical strength and electrical insulation.

INSTALLATION OPTIONS

- Plug-in metal feet for wall or base mounting
- Moulded busbar mounting
- Primary copper busbar mounting
- Multi busbar mounting for two busbars
- Plastic DIN-rail adaptor for DIN-rail mounting (available as an option)

FEATURES

- CT ratios from 1A to 6000A with 5A and 1A secondary's
- Comprehensive range of class accuracy's
- Cost effective moulded case
- Wide range of system current ratings, busbar sizes, case dimensions and apertures
- Wall, cable, busbar and DIN rail mounting
- Hinged terminal covers



SPECIFICATION

Applicable Standards	IEC 61869-2, BS3839
Applicable Standards	10% glass filled polycarbonate Flame retardant grades classified UL94V-0
Connection	Two connections each side. M4 screws with self lifting clamp assembly
Insulation Class	E (120°C Maximum)
System Voltage	720V maximum
Test Voltage	4KV 50Hz for 1 min (Except for XL2 model where test voltage is 3KV 50Hz for 1 min)
Operating Frequency	50Hz or 60Hz
Rated secondary output	5A standard (1A on request)
Rated burden	1, 1.25, 1.5, 2.5, 3.75, 5, 7.5, 10, 12.5, 15, 20, 30, 45, 60, 100VA
Class of accuracy	0.5, 1, 3 Optional class 0.2, 0.2S & 0.5S
Ambient temperature	-20°C...+45°C
Storage temperature	-50°C...+80°C
Thermal short circuit current (I _{th})	60 x I _n
Dynamic short circuit current (I _{dyn})	2.5 x I _{th}
Instrument security factor	5, 10, 15
Rated continuous thermal current	1.2 x I _n
Degree of protection	IP20

BENEFITS

- Wide range of apertures and case sizes
- Reduction of high currents for ease of metering
- Long product life

APPROVALS

- IEC 61869-2
- BS3938

ACCURACY CLASSES

The **Ebony Excel** range includes a comprehensive range of class accuracies between 3, 1, & 0.5. Where higher accuracy classes are required, the **Ebony Excel Plus** range has class accuracies of 0.2, 0.2S and 0.5S.

APPLICATION NOTE:

In some cases, where CT model is marked with (*), to achieve class accuracy at low currents between 20A-40A, additional primary turns are required to achieve the required output. As such, these models are only suitable for cable conductors.

Ebony Excel Current Transformers



XLOA RANGE

Case size: 62 mm wide x 40 mm deep x 78 mm high

Primary Rating: 1 - 30A

Secondary Rating: 5A as below, 1A Ratio's available change part number to end in 1A e.g. XLOA-1/1A

Part number	Primary current	Accuracy		Security Factor (ISF)	
		0.5	1	0.5	1
XLOA-1/5A	1A	2.5VA	5VA	10	5
XLOA-2.5/5A	2.5A	2.5VA	5VA	10	5
XLOA-5/5A	5A	2.5VA	5VA	10	5
XLOA-7.5/5A	7.5A	2.5VA	5VA	10	5
XLOA-10/5A	10A	2.5VA	5VA	10	5
XLOA-15/5A	15A	2.5VA	5VA	10	5
XLOA-20/5A	20A	2.5VA	5VA	10	5
XLOA-25/5A	25A	2.5VA	5VA	10	5
XLOA-30/5A	30A	2.5VA	5VA	10	5



XLOB RANGE

Case size: 74 mm wide x 45 mm deep x 98 mm high

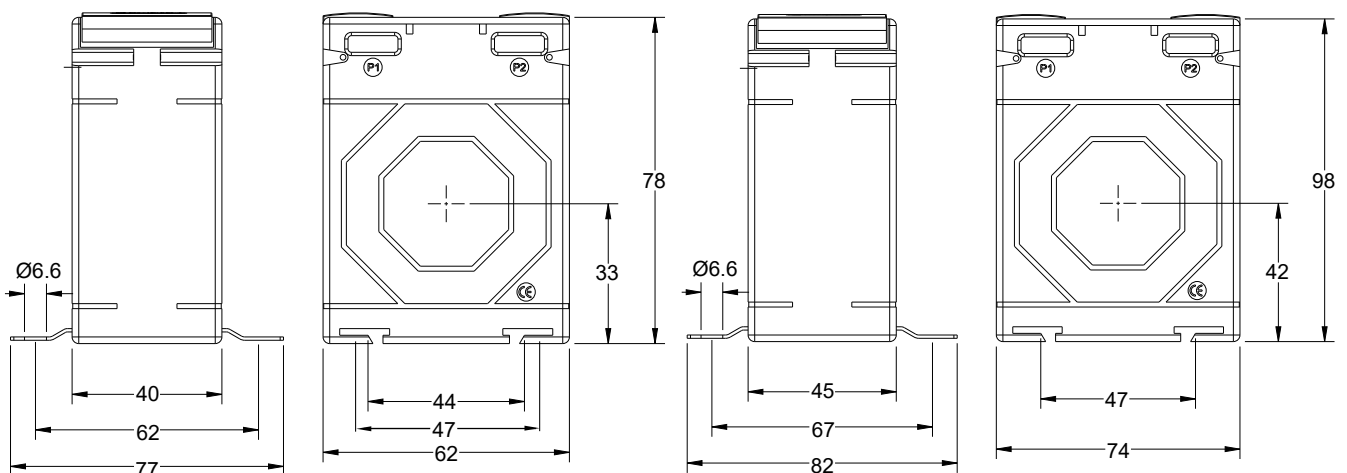
Primary Rating: 1 - 60A

Secondary Rating: 5A as below, 1A Ratio's available change part number to end in 1A e.g. XLOB-1/1A

Part number	Primary current	Accuracy		Security Factor (ISF)	
		0.5	1	0.5	1
XLOB-1/5A	1A	5VA	10VA	10	5
XLOB-2.5/5A	2.5A	5VA	10VA	10	5
XLOB-5/5A	5A	5VA	10VA	10	5
XLOB-7.5/5A	7.5A	5VA	10VA	10	5
XLOB-10/5A	10A	5VA	10VA	10	5
XLOB-15/5A	15A	5VA	10VA	10	5
XLOB-20/5A	20A	5VA	10VA	10	5
XLOB-25/5A	25A	5VA	10VA	10	5
XLOB-30/5A	30A	5VA	10VA	10	5
XLOB-40/5A	40A	5VA	10VA	10	5
XLOB-50/5A	50A	5VA	10VA	10	5
XLOB-60/5A	60A	5VA	10VA	10	5

XLOA

XLOB



Ebony Excel Current Transformers



XL1A RANGE

Case size: 45 mm wide x 40 mm deep x 65 mm high

Aperture: Ø 14 mm

Primary Rating: 30 - 300A

Secondary Rating: 5A as below, 1A Ratio's available change part number to end in 1A e.g. XL1A-30/1A

Part number	Primary current	Accuracy			Security Factor (ISF)		
		0.5	1	3	0.5	1	3
XL1A-30/5A	30A	-	1VA	1.5VA	-	5	5
XL1A-40/5A	40A	-	1VA	1.5VA	-	5	5
XL1A-50/5A	50A	-	1.5VA	2.5VA	-	5	5
XL1A-60/5A	60A	-	1.5VA	2.5VA	-	5	5
XL1A-75/5A	75A	1.5VA	2.5VA	3.75VA	5	5	5
XL1A-80/5A	80A	1.5VA	2.5VA	3.75VA	5	5	5
XL1A-100/5A	100A	1.5VA	3.75VA	3.75VA	5	5	5
XL1A-120/5A	120A	2.5VA	3.75VA	5VA	5	5	5
XL1A-125/5A	125A	2.5VA	3.75VA	5VA	5	5	5
XL1A-150/5A	150A	2.5VA	5VA	5VA	5	5	5
XL1A-200/5A	200A	3.75VA	7.5VA	7.5VA	5	5	5
XL1A-250/5A	250A	5VA	7.5VA	10VA	5	5	5
XL1A-300/5A	300A	5VA	10VA	12.5VA	5	5	5



XL1B RANGE

Case size: 45 mm wide x 40 mm deep x 65 mm high

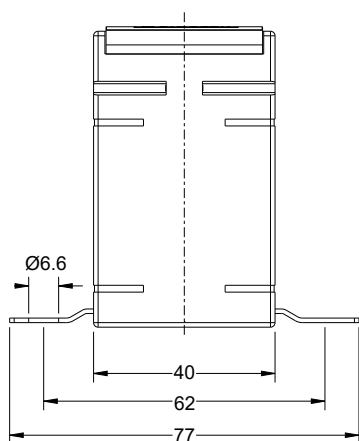
Aperture: 21 x 10 mm - Ø 21 mm

Primary Rating: 50 - 400A

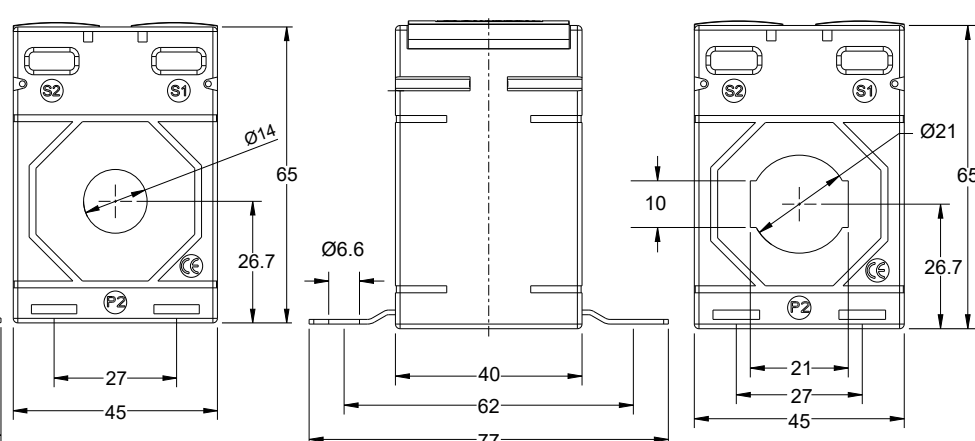
Secondary Rating: 5A as below, 1A Ratio's available change part number to end in 1A e.g. XL1B-50/1A

Part number	Primary current	Accuracy			Security Factor (ISF)		
		0.5	1	3	0.5	1	3
XL1B-50/5A	50A	-	1.5VA	2VA	-	5	5
XL1B-60/5A	60A	-	1.5VA	2VA	-	5	5
XL1B-75/5A	75A	-	2.5VA	3VA	-	5	5
XL1B-80/5A	80A	1VA	2.5VA	3VA	5	5	5
XL1B-100/5A	100A	1.5VA	3.75VA	3.75VA	5	5	5
XL1B-120/5A	120A	1.5VA	3.75VA	3.75VA	5	5	5
XL1B-125/5A	125A	2.5VA	3.75VA	5VA	5	5	5
XL1B-150/5A	150A	2.5VA	5VA	5VA	5	5	5
XL1B-200/5A	200A	3.75VA	5VA	5VA	5	5	5
XL1B-250/5A	250A	5VA	5VA	7.5VA	5	5	5
XL1B-300/5A	300A	5VA	5VA	7.5VA	5	5	5
XL1B-400/5A	400A	5VA	5VA	7.5VA	5	5	5

XL1A



XL1B



Busbar and Mounting feet fixings are supplied as standard.
DIN Rail Mounting Adapters available - Part Number XL-DRBRK-1

Ebony Excel Current Transformers



XL2A RANGE

Case size: 50 mm wide x 31 mm deep x 70 mm high

Aperture: Ø 14 mm

Primary Rating: 40 - 300A

Secondary Rating: 5A as below, 1A Ratio's available change part number to end in 1A e.g. XL2A-40/1A

Part number	Primary current	Accuracy			Security Factor (ISF)		
		0.5	1	3	0.5	1	3
XL2A-40/5A	40A	-	1VA	1.5VA	-	5	5
XL2A-50/5A	50A	-	1.5VA	2VA	-	5	5
XL2A-60/5A	60A	-	1.5VA	2VA	-	5	5
XL2A-75/5A	75A	-	1.5VA	2.5VA	-	5	5
XL2A-80/5A	80A	-	1.5VA	2.5VA	-	5	5
XL2A-100/5A	100A	2.5VA	3.75VA	5VA	5	5	5
XL2A-120/5A	120A	2.5VA	3.75VA	5VA	5	5	5
XL2A-125/5A	125A	2.5VA	3.75VA	5VA	5	5	5
XL2A-150/5A	150A	3.75VA	5VA	7.5VA	5	5	5
XL2A-160/5A	160A	3.75VA	5VA	7.5VA	5	5	5
XL2A-200/5A	200A	3.75VA	5VA	7.5VA	5	5	5
XL2A-250/5A	250A	5VA	7.5VA	7.5VA	5	5	5
XL2A-300/5A	300A	7.5VA	7.5VA	7.5VA	5	5	5



XL2B RANGE

Case size: 50 mm wide x 31 mm deep x 70 mm high

Aperture: 20.5 x 10.5 mm - Ø 21 mm

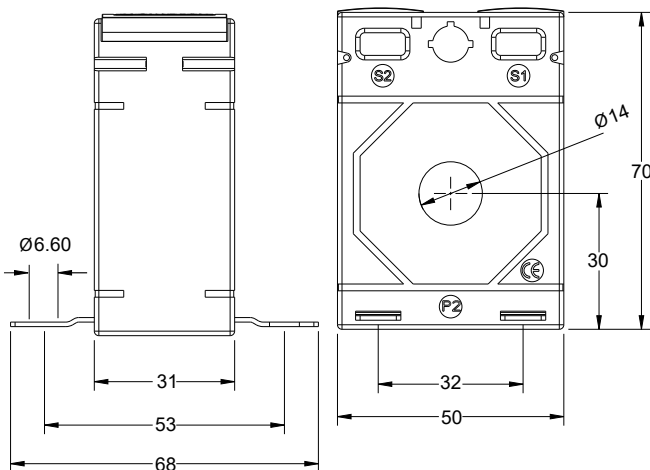
Primary Rating: 20 - 400A

Secondary Rating: 5A as below, 1A Ratio's available change part number to end in 1A e.g. XL2B-20/1A

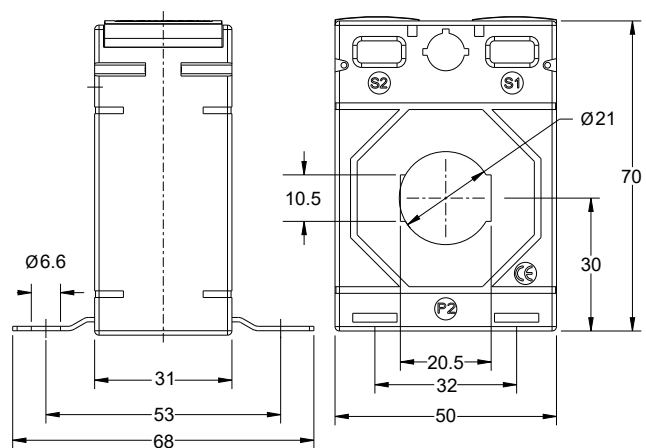
Part number	Primary current	Accuracy			Security Factor (ISF)		
		0.5	1	3	0.5	1	3
XL2B-20/5A (*)	20A	-	1VA	1VA	-	5	5
XL2B-30/5A (*)	30A	-	1VA	1VA	-	5	5
XL2B-40/5A (*)	40A	-	1VA	1VA	-	5	5
XL2B-50/5A	50A	-	1VA	2VA	-	5	5
XL2B-60/5A	60A	-	1VA	2VA	-	5	5
XL2B-75/5A	75A	-	1.5VA	2.5VA	-	5	5
XL2B-80/5A	80A	1VA	2.5VA	3.75VA	5	5	5
XL2B-100/5A	100A	1.5VA	2.5VA	3.75VA	5	5	5
XL2B-120/5A	120A	2.5VA	2.5VA	3.75VA	5	5	5
XL2B-125/5A	125A	2.5VA	3.75VA	5VA	5	5	5
XL2B-150/5A	150A	2.5VA	5VA	5VA	5	5	5
XL2B-160/5A	160A	2.5VA	5VA	5VA	5	5	5
XL2B-200/5A	200A	3.75VA	5VA	5VA	5	5	5
XL2B-250/5A	250A	5VA	5VA	5VA	5	5	5
XL2B-300/5A	300A	5VA	7.5VA	7.5VA	5	5	5
XL2B-400/5A	400A	5VA	7.5VA	7.5VA	5	5	5

*Application note: 20A with 3 primary turns, 30A & 40A with 2 primary turns

XL2A



XL2B



Busbar and Mounting feet fixings are supplied as standard.
DIN Rail Mounting Adapters available - Part Number XL-DRBRK-2

Ebony Excel Current Transformers



XL2C RANGE

Case size: 50 mm wide x 31 mm deep x 70 mm high

Aperture: 30.5 x 10.5 mm - 25.5 x 15.5 mm - Ø 26 mm

Primary Rating: 20 - 600A

Secondary Rating: 5A as below, 1A Ratio's available change part number to end in 1A e.g. XL2C-20/1A

Part number	Primary current	Accuracy			Security Factor (ISF)		
		0.5	1	3	0.5	1	3
XL2C-20/5A (*)	20A	-	1VA	1.5VA	-	5	5
XL2C-40/5A (*)	40A	-	1VA	1.5VA	-	5	5
XL2C-75/5A	75A	-	1VA	1.5VA	-	5	5
XL2C-80/5A	80A	-	1.5VA	2VA	-	5	5
XL2C-100/5A	100A	1VA	2.5VA	2.5VA	5	5	5
XL2C-120/5A	120A	1VA	2.5VA	3VA	5	5	5
XL2C-125/5A	125A	1VA	2.5VA	3VA	5	5	5
XL2C-150/5A	150A	2.5VA	3.75VA	3.75VA	5	5	5
XL2C-160/5A	160A	2.5VA	3.75VA	3.75VA	5	5	5
XL2C-200/5A	200A	2.5VA	5VA	5VA	5	5	5
XL2C-250/5A	250A	5VA	5VA	6.25VA	5	5	5
XL2C-300/5A	300A	5VA	5VA	6.25VA	5	5	5
XL2C-400/5A	400A	5VA	6.25VA	6.25VA	5	5	5
XL2C-500/5A	500A	5VA	6.25VA	7.5VA	5	5	5
XL2C-600/5A	600A	5VA	7.5VA	10VA	5	5	5

*Application note: 20A with 4 primary turns, 40A with 2 primary turns

Busbar and Mounting feet fixings are supplied as standard.

DIN Rail Mounting Adapters available - Part Number XL-DRBRK-2



XL2D RANGE

Case size: 50 mm wide x 51 mm deep x 70 mm high

Aperture: Ø 14 mm

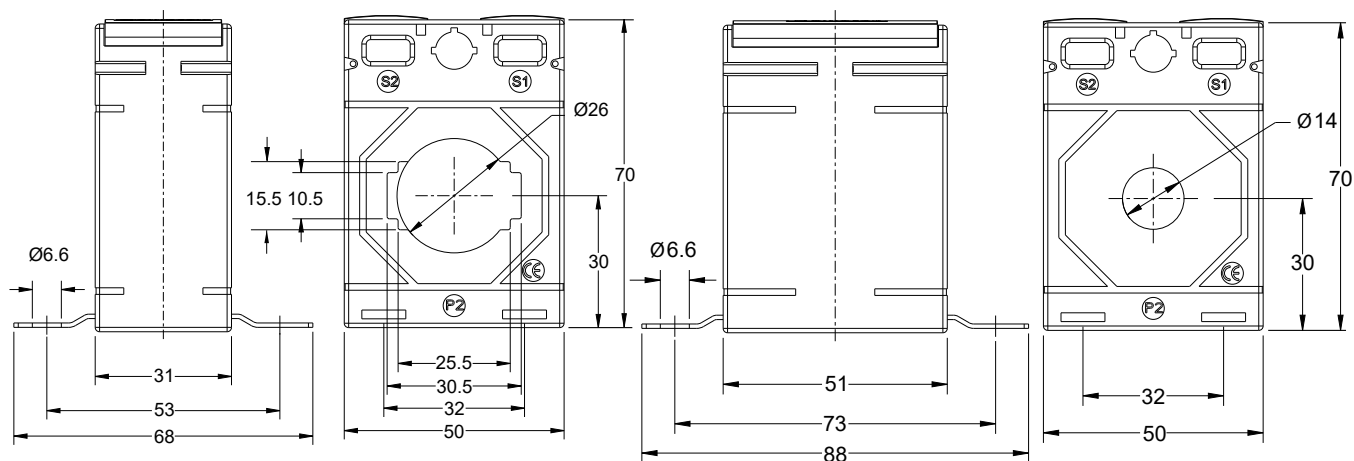
Primary Rating: 30 - 300A

Secondary Rating: 5A as below, 1A Ratio's available change part number to end in 1A e.g. XL2D-30/1A

Part number	Primary current	Accuracy			Security Factor (ISF)		
		0.5	1	3	0.5	1	3
XL2D-30/5A	30A	-	1VA	1VA	-	5	5
XL2D-40/5A	40A	-	1VA	1VA	-	5	5
XL2D-50/5A	50A	1.5VA	1.5VA	2VA	5	5	5
XL2D-60/5A	60A	1.5VA	1.5VA	2.5VA	5	5	5
XL2D-75/5A	75A	2.5VA	5VA	5VA	5	5	5
XL2D-80/5A	80A	2.5VA	5VA	7.5VA	5	5	5
XL2D-100/5A	100A	3.75VA	5VA	7.5VA	5	5	5
XL2D-120/5A	120A	3.75VA	5VA	7.5VA	5	5	5
XL2D-125/5A	125A	3.75VA	5VA	7.5VA	5	5	5
XL2D-150/5A	150A	5VA	7.5VA	10VA	5	5	5
XL2D-200/5A	200A	7.5VA	10VA	12.5VA	5	5	5
XL2D-250/5A	250A	10VA	12.5VA	15VA	5	5	5
XL2D-300/5A	300A	10VA	12.5VA	15VA	5	5	5

XL2C

XL2D



Ebony Excel Current Transformers



XL2E RANGE

Case size: 50 mm wide x 51 mm deep x 70 mm high

Aperture: 20.5 x 10.5 mm - Ø 21 mm

Primary Rating: 50 - 400A

Secondary Rating: 5A as below, 1A Ratio's available change part number to end in 1A e.g. XL2E-50/1A

Part number	Primary current	Accuracy			Security Factor (ISF)		
		0.5	1	3	0.5	1	3
XL2E-50/5A	50A	1VA	2.5VA	3VA	10	5	5
XL2E-60/5A	60A	1VA	3.75VA	3.75VA	10	5	5
XL2E-75/5A	75A	1.5VA	3.75VA	3.75VA	5	5	5
XL2E-80/5A	80A	2.5VA	5VA	5VA	5	5	5
XL2E-100/5A	100A	2.5VA	5VA	7.5VA	5	5	5
XL2E-120/5A	120A	3.75VA	5VA	7.5VA	5	5	5
XL2E-125/5A	125A	5VA	5VA	7.5VA	5	5	5
XL2E-150/5A	150A	5VA	10VA	10VA	5	5	5
XL2E-200/5A	200A	10VA	12.5VA	12.5VA	5	5	5
XL2E-250/5A	250A	10VA	15VA	15VA	5	5	5
XL2E-300/5A	300A	7.5VA	12.5VA	15VA	5	5	5
XL2E-400/5A	400A	10VA	15VA	15VA	5	5	5



XL2F RANGE

Case size: 51 mm wide x 52 mm deep x 70 mm high

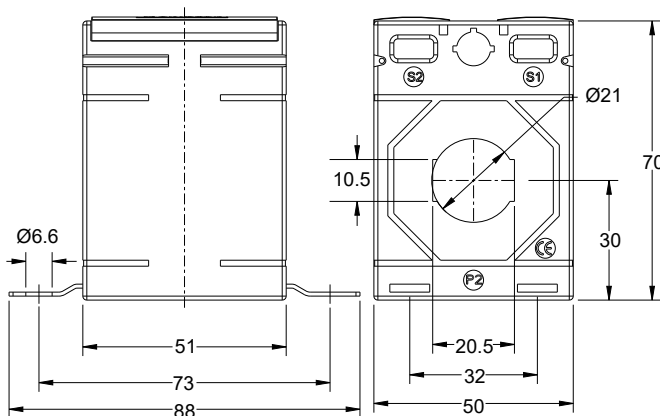
Aperture: 30.5 x 10.5 mm - 25.5 x 15.5 mm - Ø 26 mm

Primary Rating: 50 - 600A

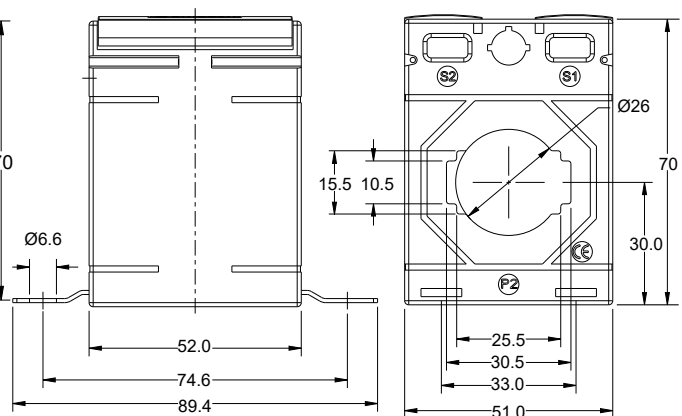
Secondary Rating: 5A as below, 1A Ratio's available change part number to end in 1A e.g. XL2F-50/1A

Part number	Primary current	Accuracy			Security Factor (ISF)		
		0.5	1	3	0.5	1	3
XL2F-50/5A	50A	-	1.5VA	1.5VA	-	5	5
XL2F-60/5A	60A	-	1.5VA	2VA	-	5	5
XL2F-75/5A	75A	-	2.5VA	2.5VA	-	5	5
XL2F-80/5A	80A	-	2.5VA	3.75VA	-	5	5
XL2F-100/5A	100A	1VA	3.75VA	3.75VA	5	5	5
XL2F-120/5A	120A	2.5VA	5VA	5VA	5	5	5
XL2F-125/5A	125A	2.5VA	5VA	5VA	5	5	5
XL2F-150/5A	150A	5VA	5VA	7.5VA	5	5	5
XL2F-200/5A	200A	5VA	7.5VA	10VA	5	5	5
XL2F-250/5A	250A	5VA	10VA	10VA	5	5	5
XL2F-300/5A	300A	5VA	10VA	10VA	5	5	5
XL2F-400/5A	400A	10VA	12.5VA	12.5VA	5	5	5
XL2F-500/5A	500A	10VA	12.5VA	15VA	5	5	5
XL2F-600/5A	600A	10VA	15VA	15VA	5	5	5

XL2E



XL2F



Ebony Excel Current Transformers



XL3A RANGE

Case size: 62 mm wide x 40 mm deep x 78 mm high

Aperture: \varnothing 22.5 mm

Primary Rating: 50 - 600A

Secondary Rating: 5A as below, 1A Ratio's available change part number to end in 1A e.g. XL3A-50/1A

Part number	Primary current	Accuracy			Security Factor (ISF)		
		0.5	1	3	0.5	1	3
XL3A-50/5A	50A	-	1.5VA	2.5VA	-	5	5
XL3A-60/5A	60A	-	2.5VA	3.75VA	-	5	5
XL3A-75/5A	75A	1.5VA	2.5VA	3.75VA	5	5	5
XL3A-80/5A	80A	2.5VA	2.5VA	3.75VA	5	5	5
XL3A-100/5A	100A	2.5VA	5VA	7.5VA	5	5	5
XL3A-120/5A	120A	3.75VA	5VA	7.5VA	5	5	5
XL3A-125/5A	125A	3.75VA	5VA	7.5VA	5	5	5
XL3A-150/5A	150A	5VA	7.5VA	10VA	5	5	5
XL3A-200/5A	200A	7.5VA	10VA	12.5VA	5	5	5
XL3A-250/5A	250A	10VA	15VA	15VA	5	5	5
XL3A-300/5A	300A	10VA	15VA	15VA	5	5	5
XL3A-400/5A	400A	15VA	15VA	20VA	5	5	5
XL3A-500/5A	500A	15VA	15VA	20VA	5	5	5
XL3A-600/5A	600A	15VA	15VA	20VA	5	5	5



XL3B RANGE

Case size: 62 mm wide x 40 mm deep x 78 mm high

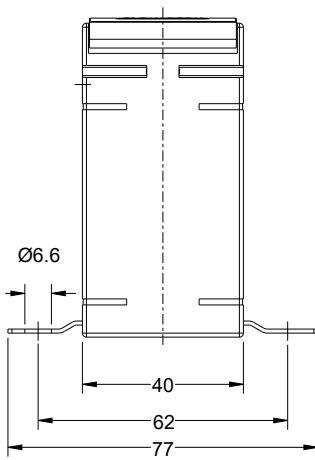
Aperture: 20.5 x 12.5 mm - 15.5 x 15.5 mm

Primary Rating: 50 - 500A

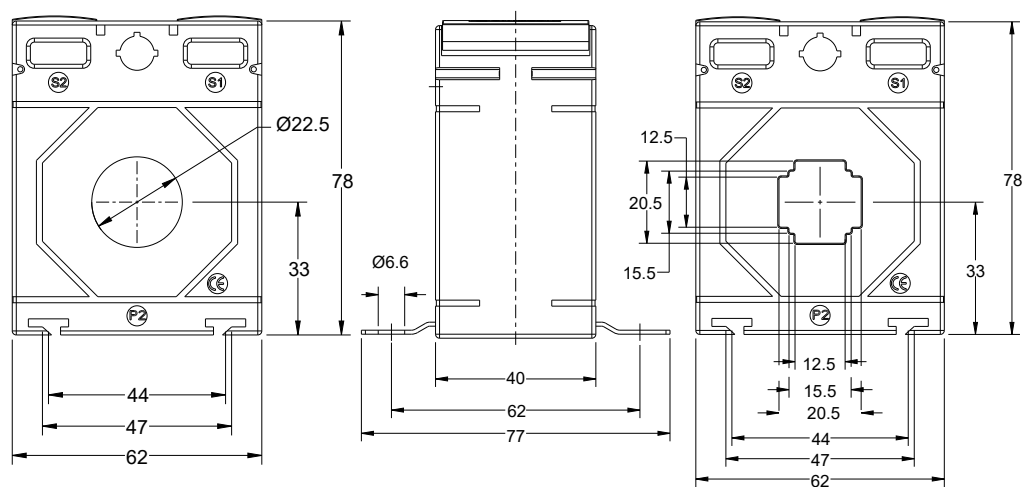
Secondary Rating: 5A as below, 1A Ratio's available change part number to end in 1A e.g. XL3B-50/1A

Part number	Primary current	Accuracy			Security Factor (ISF)		
		0.5	1	3	0.5	1	3
XL3B-50/5A	50A	-	1.5VA	2.5VA	-	5	5
XL3B-60/5A	60A	-	2.5VA	3.75VA	-	5	5
XL3B-75/5A	75A	1.5VA	3.75VA	3.75VA	5	5	5
XL3B-80/5A	80A	2.5VA	3.75VA	3.75VA	5	5	5
XL3B-100/5A	100A	2.5VA	5VA	7.5VA	5	5	5
XL3B-120/5A	120A	3.75VA	5VA	7.5VA	5	5	5
XL3B-125/5A	125A	3.75VA	5VA	7.5VA	5	5	5
XL3B-150/5A	150A	5VA	7.5VA	10VA	5	5	5
XL3B-200/5A	200A	7.5VA	10VA	12.5VA	5	5	5
XL3B-250/5A	250A	10VA	15VA	15VA	5	5	5
XL3B-300/5A	300A	15VA	15VA	15VA	5	5	5
XL3B-400/5A	400A	15VA	15VA	20VA	5	5	5
XL3B-500/5A	500A	15VA	15VA	20VA	5	5	5

XL3A



XL3B



Busbar and Mounting feet fixings are supplied as standard.
DIN Rail Mounting Adapters available - Part Number XL-DRBRK-3

Ebony Excel Current Transformers



XL3C RANGE

Case size: 62 mm wide x 40 mm deep x 78 mm high

Aperture: 31 x 11 mm - 26 x 21 mm - Ø 30.5 mm

Primary Rating: 50 - 800

Secondary Rating: 5A as below, 1A Ratio's available change part number to end in 1A e.g. XL3C-50/1A

Part number	Primary current	Accuracy			Security Factor (ISF)		
		0.5	1	3	0.5	1	3
XL3C-50/5A	50A	-	1.25VA	2VA	-	5	5
XL3C-60/5A	60A	-	1.5VA	2VA	-	5	5
XL3C-75/5A	75A	-	2VA	2.5VA	-	5	5
XL3C-80/5A	80A	-	2VA	2.5VA	-	5	5
XL3C-100/5A	100A	1.5VA	3.75VA	3.75VA	5	5	5
XL3C-120/5A	120A	2.5VA	3.75VA	5VA	5	5	5
XL3C-125/5A	125A	2.5VA	3.75VA	5VA	5	5	5
XL3C-150/5A	150A	3.75VA	7.5VA	7.5VA	5	5	5
XL3C-200/5A	200A	5VA	10VA	10VA	5	5	5
XL3C-250/5A	250A	5VA	10VA	15VA	5	5	5
XL3C-300/5A	300A	10VA	15VA	15VA	5	5	5
XL3C-400/5A	400A	12.5VA	15VA	15VA	5	5	5
XL3C-500/5A	500A	12.5VA	15VA	15VA	5	5	5
XL3C-600/5A	600A	15VA	20VA	20VA	5	5	5
XL3C-750/5A	750A	15VA	15VA	20VA	5	5	5
XL3C-800/5A	800A	15VA	15VA	20VA	5	5	5



XL3D RANGE

Case size: 62 mm wide x 40 mm deep x 78 mm high

Aperture: 40.5 x 11 mm - 31 x 21 mm - Ø 31 mm

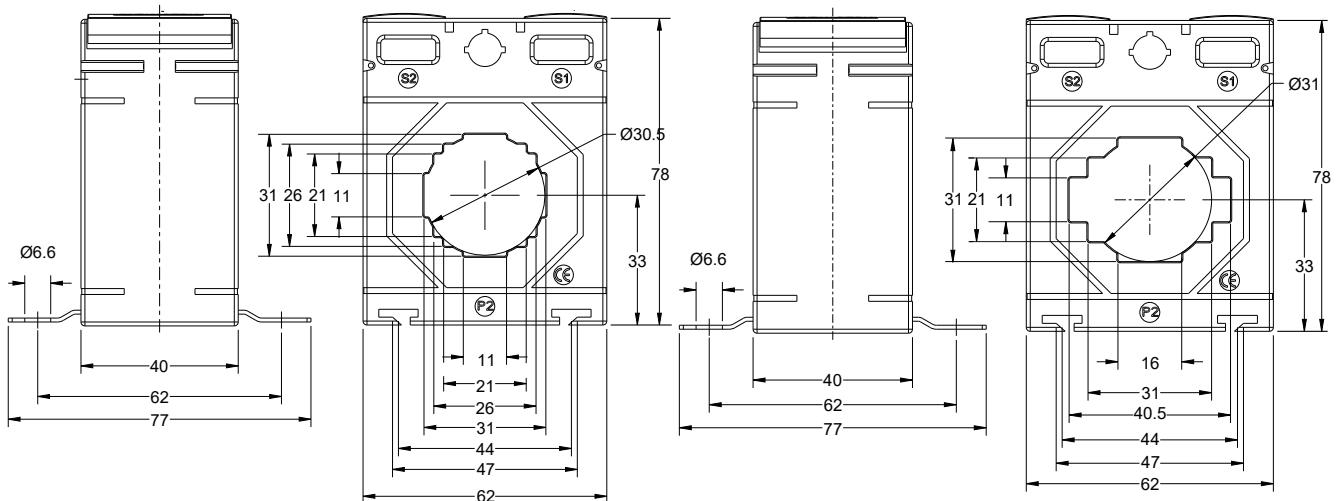
Primary Rating: 100 - 800A

Secondary Rating: 5A as below, 1A Ratio's available change part number to end in 1A e.g. XL3D-100/1A

Part number	Primary current	Accuracy			Security Factor (ISF)		
		0.5	1	3	0.5	1	3
XL3D-100/5A	100A	-	1.5VA	1.5VA	-	5	5
XL3D-120/5A	120A	-	1.5VA	2.5VA	-	5	5
XL3D-125/5A	125A	-	1.5VA	2.5VA	-	5	5
XL3D-150/5A	150A	-	2.5VA	3VA	-	5	5
XL3D-200/5A	200A	1.5VA	3.75VA	3.75VA	5	5	5
XL3D-250/5A	250A	2.5VA	5VA	5VA	5	5	5
XL3D-300/5A	300A	5VA	5VA	5VA	5	5	5
XL3D-400/5A	400A	5VA	5VA	7.5VA	5	5	5
XL3D-500/5A	500A	5VA	7.5VA	10VA	5	5	5
XL3D-600/5A	600A	7.5VA	10VA	12.5VA	5	5	5
XL3D-750/5A	750A	10VA	10VA	12.5VA	5	5	5
XL3D-800/5A	800A	10VA	10VA	12.5VA	5	5	5

XL3C

XL3D



Busbar and Mounting feet fixings are supplied as standard.
DIN Rail Mounting Adapters available - Part Number XL-DRBRK-3

Ebony Excel Current Transformers



XL3E RANGE

Case size: 62 mm wide x 51 mm deep x 78 mm high

Aperture: 30.5 x 10.5 mm - Ø 28 mm

Primary Rating: 40 - 800A

Secondary Rating: 5A as below, 1A Ratio's available change part number to end in 1A e.g. XL3E-40/1A

Part number	Primary current	Accuracy			Security Factor (ISF)		
		0.5	1	3	0.5	1	3
XL3E-40/5A	40A	-	1VA	1VA	-	10	10
XL3E-50/5A	50A	-	1.5VA	2.5VA	-	5	5
XL3E-60/5A	60A	-	2.5VA	3.75VA	-	5	5
XL3E-75/5A	75A	2.5VA	2.5VA	3.75VA	5	5	5
XL3E-80/5A	80A	2.5VA	3.75VA	5VA	5	5	5
XL3E-100/5A	100A	2.5VA	5VA	7.5VA	5	5	5
XL3E-120/5A	120A	5VA	5VA	7.5VA	5	5	5
XL3E-125/5A	125A	5VA	5VA	7.5VA	5	5	5
XL3E-150/5A	150A	5VA	7.5VA	10VA	5	5	5
XL3E-200/5A	200A	10VA	15VA	15VA	5	5	5
XL3E-250/5A	250A	15VA	15VA	20VA	5	5	5
XL3E-300/5A	300A	15VA	15VA	20VA	5	5	5
XL3E-400/5A	400A	15VA	30VA	30VA	5	5	5
XL3E-500/5A	500A	15VA	30VA	30VA	5	5	5
XL3E-600/5A	600A	20VA	30VA	30VA	5	5	5
XL3E-750/5A	750A	20VA	30VA	30VA	5	5	5
XL3E-800/5A	800A	20VA	30VA	35VA	5	5	5



XL4A RANGE

Case size: 74 mm wide x 45 mm deep x 98 mm high

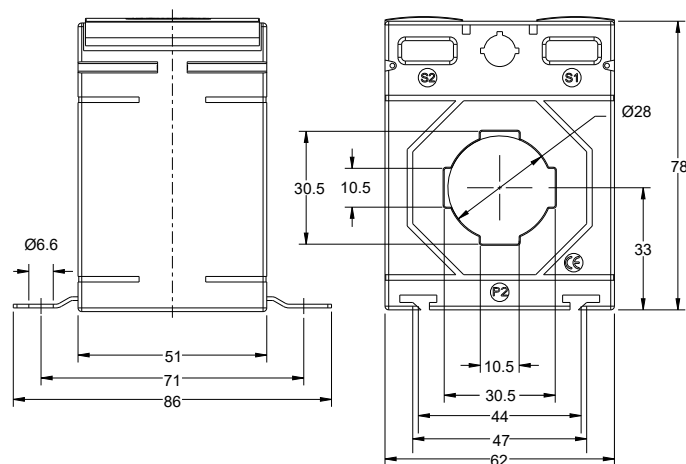
Aperture: 21 x 11 mm - 15.5 X 15.5 mm - Ø 20.4 mm

Primary Rating: 40 - 500A

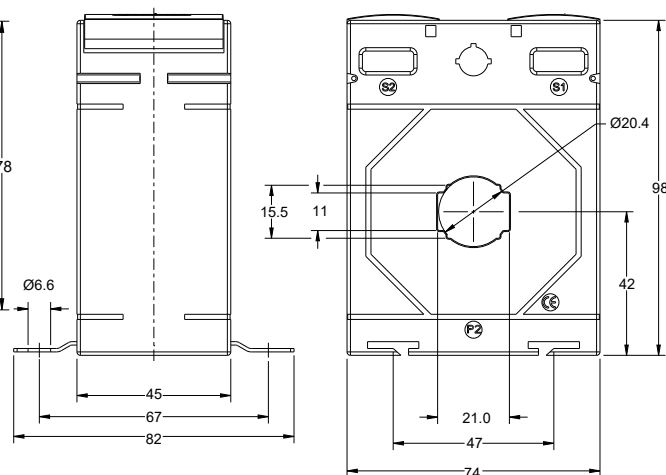
Secondary Rating: 5A as below, 1A Ratio's available change part number to end in 1A e.g. XL4A-40/1A

Part number	Primary current	Accuracy			Security Factor (ISF)		
		0.5	1	3	0.5	1	3
XL4A-40/5A	40A	-	1.5VA	2VA	-	10	10
XL4A-50/5A	50A	1VA	2.5VA	3.75VA	10	10	10
XL4A-60/5A	60A	1VA	3.75VA	5VA	5	5	5
XL4A-75/5A	75A	1.5VA	5VA	7.5VA	15	5	5
XL4A-80/5A	80A	2.5VA	5VA	7.5VA	15	5	5
XL4A-100/5A	100A	5VA	7.5VA	10VA	10	5	5
XL4A-120/5A	120A	5VA	10VA	12.5VA	10	5	5
XL4A-125/5A	125A	5VA	10VA	12.5VA	10	5	5
XL4A-150/5A	150A	7.5VA	12.5VA	15VA	10	5	5
XL4A-200/5A	200A	10VA	15VA	20VA	5	5	5
XL4A-250/5A	250A	10VA	15VA	20VA	5	5	5
XL4A-300/5A	300A	15VA	15VA	20VA	5	5	5
XL4A-400/5A	400A	15VA	20VA	20VA	5	5	5
XL4A-500/5A	500A	15VA	15VA	25VA	5	5	5

XL3E



XL4A



Ebony Excel Current Transformers



XL4B RANGE

Case size: 74 mm wide x 45 mm deep x 98 mm high

Aperture: 31 x 15 mm - 21 x 21 mm - Ø 26 mm

Primary Rating: 40 - 800A

Secondary Rating: 5A as below, 1A Ratio's available change part number to end in 1A e.g. XL4B-40/1A

Part number	Primary current	Accuracy			Security Factor (ISF)		
		0.5	1	3	0.5	1	3
XL4B-40/5A	40A	-	1.5VA	1.5VA	-	10	10
XL4B-50/5A	50A	-	1.5VA	2.5VA	-	10	10
XL4B-60/5A	60A	-	2.5VA	3.75VA	-	5	5
XL4B-75/5A	75A	1.5VA	2.5VA	3.75VA	10	5	10
XL4B-80/5A	80A	1.5VA	3.75VA	5VA	10	5	5
XL4B-100/5A	100A	2.5VA	5VA	7.5VA	10	5	5
XL4B-120/5A	120A	2.5VA	5VA	7.5VA	10	5	5
XL4B-125/5A	125A	2.5VA	5VA	7.5VA	10	5	5
XL4B-150/5A	150A	5VA	7.5VA	10VA	5	5	5
XL4B-200/5A	200A	10VA	15VA	15VA	5	5	5
XL4B-250/5A	250A	10VA	15VA	15VA	5	5	5
XL4B-300/5A	300A	10VA	15VA	15VA	5	5	5
XL4B-400/5A	400A	15VA	20VA	25VA	5	5	5
XL4B-500/5A	500A	15VA	20VA	25VA	5	5	5
XL4B-600/5A	600A	15VA	20VA	25VA	5	5	5
XL4B-750/5A	750A	20VA	30VA	30VA	5	5	5
XL4B-800/5A	800A	30VA	30VA	35VA	5	5	5



XL4C RANGE

Case size: 74 mm wide x 45 mm deep x 98 mm high

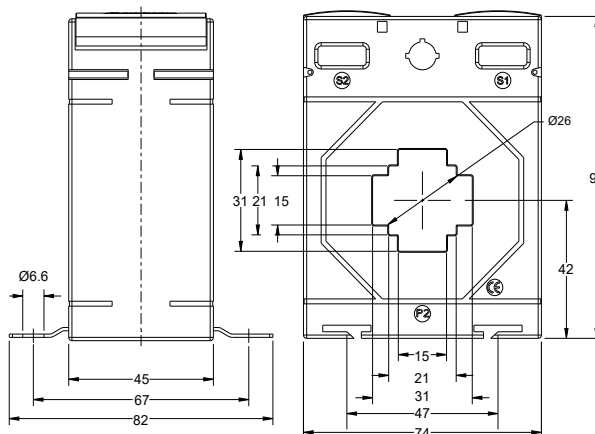
Aperture: 41 x 12.5 mm - 31 x 31 mm - Ø 35 mm

Primary Rating: 40 - 1000A

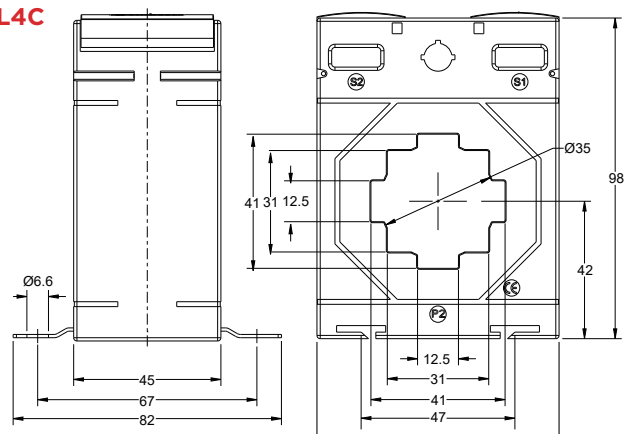
Secondary Rating: 5A as below, 1A Ratio's available change part number to end in 1A e.g. XL4C-40/1A

Part number	Primary current	Accuracy			Security Factor (ISF)		
		0.5	1	3	0.5	1	3
XL4C-40/5A	40A	-	1VA	1VA	-	5	5
XL4C-50/5A	50A	-	1.5VA	1.5VA	-	5	5
XL4C-60/5A	60A	-	1.5VA	1.5VA	-	5	5
XL4C-75/5A	75A	-	2.5VA	2.5VA	-	5	5
XL4C-80/5A	80A	-	2.5VA	2.5VA	-	5	5
XL4C-100/5A	100A	1.5VA	3.75VA	3.75VA	10	5	5
XL4C-120/5A	120A	1.5VA	2.5VA	3.75VA	10	5	5
XL4C-125/5A	125A	1.5VA	2.5VA	3.75VA	10	5	5
XL4C-150/5A	150A	3.75VA	5VA	5VA	5	5	5
XL4C-200/5A	200A	5VA	10VA	7.5VA	5	5	5
XL4C-250/5A	250A	5VA	10VA	10VA	5	5	5
XL4C-300/5A	300A	10VA	15VA	15VA	5	5	5
XL4C-400/5A	400A	10VA	15VA	15VA	5	5	5
XL4C-500/5A	500A	15VA	20VA	20VA	5	5	5
XL4C-600/5A	600A	15VA	20VA	20VA	5	5	5
XL4C-750/5A	750A	15VA	20VA	20VA	5	5	5
XL4C-800/5A	800A	15VA	20VA	25VA	5	5	5
XL4C-1000/5A	1000A	15VA	20VA	25VA	5	5	5

XL4B



XL4C



Ebony Excel Current Transformers



XL4D RANGE

Case size: 74 mm wide x 45 mm deep x 98 mm high

Aperture: 51 x 12.5 mm - 41 x 21 mm - 31 x 31 mm - Ø 41 mm

Primary Rating: 100 - 1000A

Secondary Rating: 5A as below, 1A Ratio's available change part number to end in 1A e.g. XL4D-100/1A

Part number	Primary current	Accuracy			Security Factor (ISF)		
		0.5	1	3	0.5	1	3
XL4D-100/5A	100A	-	1.5VA	2VA	-	5	5
XL4D-120/5A	120A	-	1.5VA	2.5VA	-	5	5
XL4D-125/5A	125A	-	1.5VA	2.5VA	-	5	5
XL4D-150/5A	150A	-	2.5VA	3.75VA	-	5	5
XL4D-200/5A	200A	1.5VA	3.75VA	5VA	5	5	5
XL4D-250/5A	250A	2.5VA	5VA	7.5VA	5	5	5
XL4D-300/5A	300A	5VA	7.5VA	7.5VA	5	5	5
XL4D-400/5A	400A	5VA	7.5VA	10VA	5	5	5
XL4D-500/5A	500A	7.5VA	10VA	12.5VA	5	5	5
XL4D-600/5A	600A	10VA	12.5VA	15VA	5	5	5
XL4D-750/5A	750A	12.5VA	15VA	20VA	5	5	5
XL4D-800/5A	800A	12.5VA	15VA	20VA	5	5	5
XL4D-1000/5A	1000A	12.5VA	15VA	20VA	5	5	5



XL5A RANGE

Case size: 86 mm wide x 45 mm deep x 110 mm high

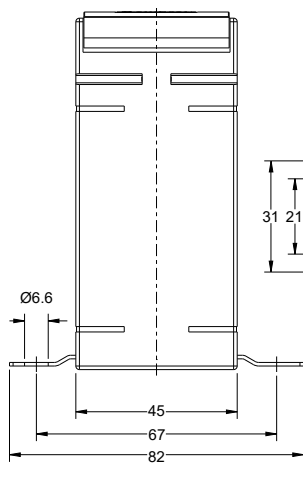
Aperture: 41 x 11 mm - 31 x 31 mm - Ø 36 mm diameter

Primary Rating: 50 - 1000A

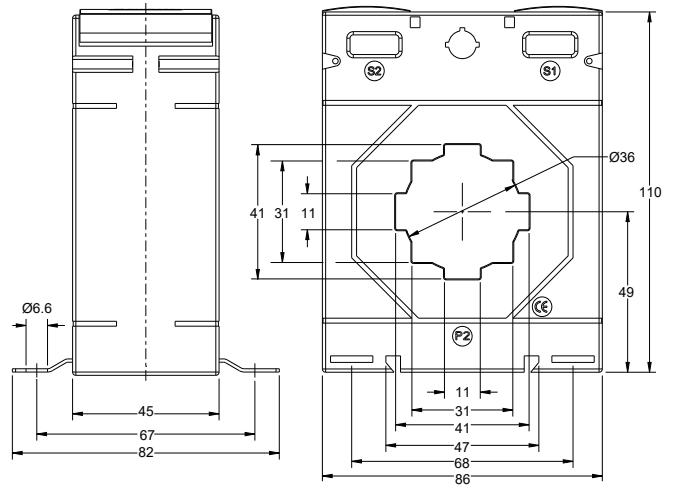
Secondary Rating: 5A as below, 1A Ratio's available change part number to end in 1A e.g. XL5A-50/1A

Part number	Primary current	Accuracy			Security Factor (ISF)		
		0.5	1	3	0.5	1	3
XL5A-50/5A	50A	-	1.5VA	1.5VA	-	5	5
XL5A-60/5A	60A	-	1.5VA	2VA	-	5	5
XL5A-75/5A	75A	-	2.5VA	3.75VA	-	5	5
XL5A-80/5A	80A	-	2.5VA	3.75VA	-	5	5
XL5A-100/5A	100A	2.5VA	5VA	5VA	10	5	5
XL5A-120/5A	120A	2.5VA	5VA	7.5VA	10	5	5
XL5A-125/5A	125A	2.5VA	5VA	7.5VA	10	5	5
XL5A-150/5A	150A	5VA	5VA	7.5VA	10	5	5
XL5A-200/5A	200A	7.5VA	15VA	10VA	10	5	5
XL5A-250/5A	250A	7.5VA	15VA	15VA	5	5	5
XL5A-300/5A	300A	15VA	15VA	20VA	5	5	5
XL5A-400/5A	400A	15VA	20VA	25VA	5	5	5
XL5A-500/5A	500A	30VA	30VA	35VA	5	5	5
XL5A-600/5A	600A	30VA	30VA	35VA	5	5	5
XL5A-750/5A	750A	30VA	30VA	35VA	5	5	5
XL5A-800/5A	800A	30VA	30VA	35VA	5	5	5
XL5A-1000/5A	1000A	30VA	30VA	35VA	5	5	5

XL4D



XL5A



Ebony Excel Current Transformers



XL5B RANGE

Case size: 86 mm wide x 45 mm deep x 110 mm high

Aperture: 51 x 12.5 mm - 41 x 31 mm - Ø 46 mm

Primary Rating: 100 - 1250A

Secondary Rating: 5A as below, 1A Ratio's available change part number to end in 1A e.g. XL5B-100/1A

Part number	Primary current	Accuracy			Security Factor (ISF)		
		0.5	1	3	0.5	1	3
XL5B-100/5A	100A	1VA	1.5VA	2.5VA	10	5	5
XL5B-120/5A	120A	1.5VA	2.5VA	3.75VA	10	5	5
XL5B-125/5A	125A	1.5VA	2.5VA	3.75VA	10	5	5
XL5B-150/5A	150A	2.5VA	5VA	7.5VA	5	5	5
XL5B-200/5A	200A	5VA	7.5VA	10VA	5	5	5
XL5B-250/5A	250A	7.5VA	10VA	12.5VA	5	5	5
XL5B-300/5A	300A	7.5VA	10VA	15VA	5	5	5
XL5B-400/5A	400A	15VA	15VA	20VA	5	5	5
XL5B-500/5A	500A	15VA	20VA	20VA	5	5	5
XL5B-600/5A	600A	15VA	20VA	20VA	5	5	5
XL5B-750/5A	750A	15VA	20VA	25VA	5	5	5
XL5B-800/5A	800A	20VA	30VA	30VA	5	5	5
XL5B-1000/5A	1000A	30VA	30VA	35VA	5	5	5
XL5B-1200/5A	1200A	30VA	30VA	35VA	5	5	5
XL5B-1250/5A	1250A	30VA	30VA	35VA	5	5	5



XL5C RANGE

Case size: 86 mm wide x 45 mm deep x 110 mm high

Aperture: 61 x 12.5 mm - 51 x 31 mm - Ø 51 mm

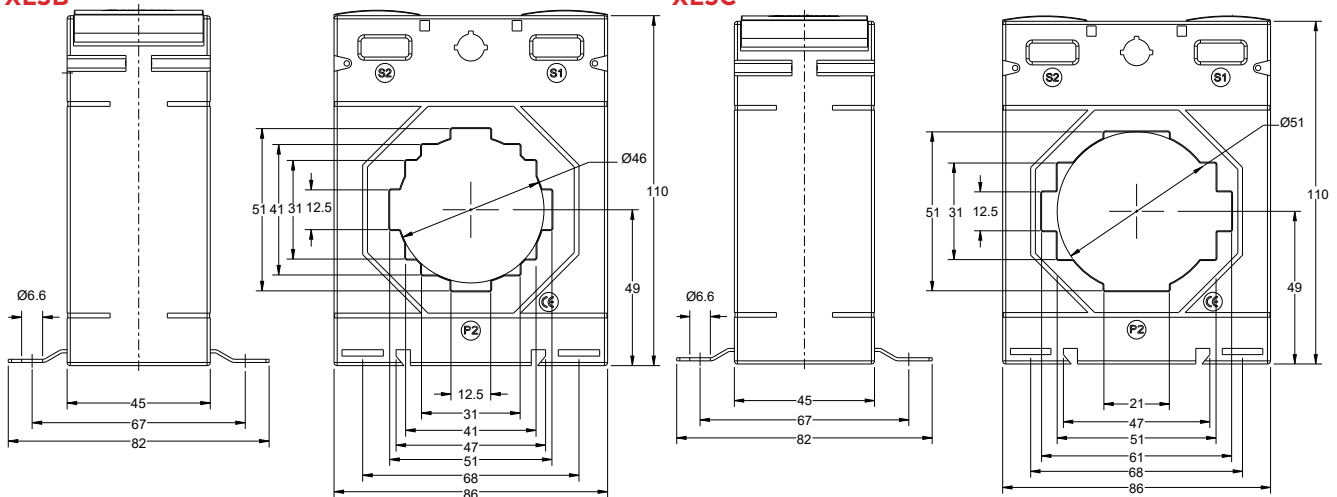
Primary Rating: 100 - 1600A

Secondary Rating: 5A as below, 1A Ratio's available change part number to end in 1A e.g. XL5C-100/1A

Part number	Primary current	Accuracy			Security Factor (ISF)		
		0.5	1	3	0.5	1	3
XL5C-100/5A	100A	-	1VA	1.5VA	-	5	5
XL5C-120/5A	120A	-	1.5VA	2.5VA	-	5	5
XL5C-125/5A	125A	-	2.5VA	3.75VA	-	5	5
XL5C-150/5A	150A	-	2.5VA	3.75VA	-	5	5
XL5C-200/5A	200A	1.5VA	3.75VA	5VA	5	5	5
XL5C-250/5A	250A	2.5VA	5VA	7.5VA	5	5	5
XL5C-300/5A	300A	5VA	7.5VA	10VA	5	5	5
XL5C-400/5A	400A	10VA	12.5VA	15VA	5	5	5
XL5C-500/5A	500A	10VA	15VA	15VA	5	5	5
XL5C-600/5A	600A	15VA	15VA	20VA	5	5	5
XL5C-750/5A	750A	15VA	20VA	25VA	5	5	5
XL5C-800/5A	800A	20VA	20VA	25VA	5	5	5
XL5C-1000/5A	1000A	20VA	30VA	25VA	5	5	5
XL5C-1200/5A	1200A	20VA	30VA	25VA	5	5	5
XL5C-1250/5A	1250A	20VA	20VA	25VA	5	5	5
XL5C-1500/5A	1500A	20VA	20VA	25VA	5	5	5
XL5C-1600/5A	1600A	20VA	20VA	25VA	5	5	5

XL5B

XL5C



Ebony Excel Current Transformers



XL6A RANGE

Case size: 99 mm wide x 45 mm deep x 170 mm high

Aperture: 41 x 103 mm

Primary Rating: 400 - 2500A

Secondary Rating: 5A as below, 1A Ratio's available change part number to end in 1A e.g. XL6A-400/1A

Part number	Primary current	Accuracy			Security Factor (ISF)		
		0.5	1	3	0.5	1	3
XL6A-400/5A	400A	2.5VA	5VA	5VA	10	5	5
XL6A-500/5A	500A	2.5VA	5VA	6.25VA	10	5	5
XL6A-600/5A	600A	2.5VA	5VA	7.5VA	10	5	5
XL6A-750/5A	750A	2.5VA	5VA	7.5VA	10	5	5
XL6A-800/5A	800A	5VA	10VA	10VA	10	5	5
XL6A-1000/5A	1000A	10VA	15VA	15VA	5	5	5
XL6A-1200/5A	1200A	10VA	15VA	15VA	5	5	5
XL6A-1250/5A	1250A	10VA	15VA	20VA	5	5	5
XL6A-1500/5A	1500A	15VA	30VA	30VA	5	5	5
XL6A-1600/5A	1600A	15VA	30VA	30VA	5	5	5
XL6A-2000/5A	2000A	15VA	30VA	35VA	5	5	5
XL6A-2400/5A	2400A	15VA	20VA	35VA	10	5	5
XL6A-2500/5A	2500A	15VA	30VA	35VA	10	5	5



XL6B RANGE

Case size: 99 mm wide x 45 mm deep x 170 mm high

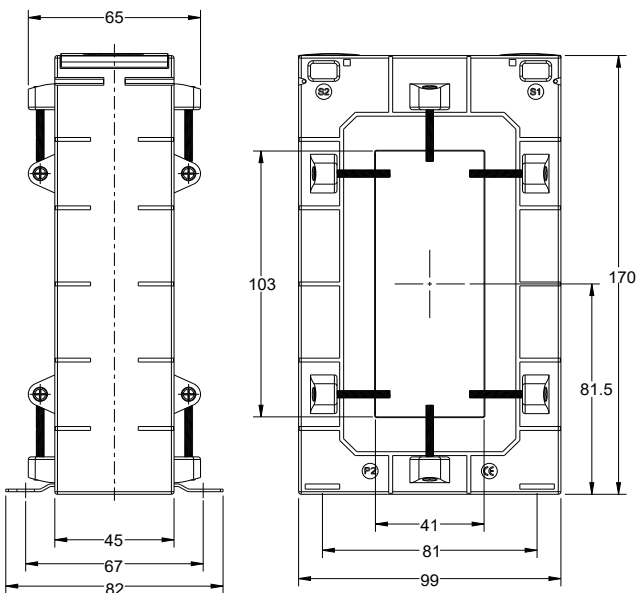
Aperture: 38 x 128 mm

Primary Rating: 400 - 3200A

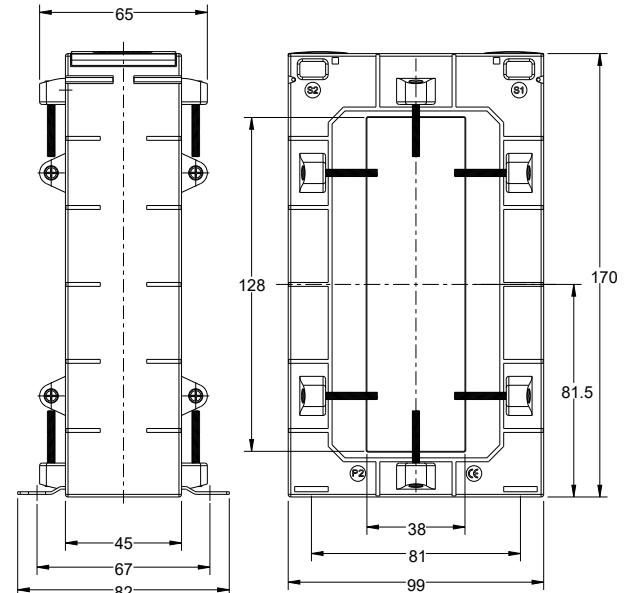
Secondary Rating: 5A as below, 1A Ratio's available change part number to end in 1A e.g. XL6B-400/1A

Part number	Primary current	Accuracy			Security Factor (ISF)		
		0.5	1	3	0.5	1	3
XL6B-400/5A	400A	2.5VA	5VA	5VA	10	5	5
XL6B-500/5A	500A	2.5VA	5VA	6.25VA	10	5	5
XL6B-600/5A	600A	2.5VA	5VA	7.5VA	10	5	5
XL6B-750/5A	750A	2.5VA	5VA	7.5VA	10	5	5
XL6B-800/5A	800A	5VA	10VA	10VA	10	5	5
XL6B-1000/5A	1000A	10VA	15VA	15VA	5	5	5
XL6B-1200/5A	1200A	10VA	15VA	15VA	5	5	5
XL6B-1250/5A	1250A	10VA	15VA	20VA	5	5	5
XL6B-1500/5A	1500A	15VA	30VA	30VA	5	5	5
XL6B-1600/5A	1600A	15VA	30VA	30VA	5	5	5
XL6B-2000/5A	2000A	15VA	30VA	35VA	5	5	5
XL6B-2500/5A	2500A	15VA	30VA	35VA	10	5	5
XL6B-3200/5A	3200A	10VA	12.5VA	35VA	10	10	5

XL6A



XL6B



Ebony Excel Current Transformers



XL7A RANGE

Case size: 104 mm wide x 45 mm deep x 126 mm high

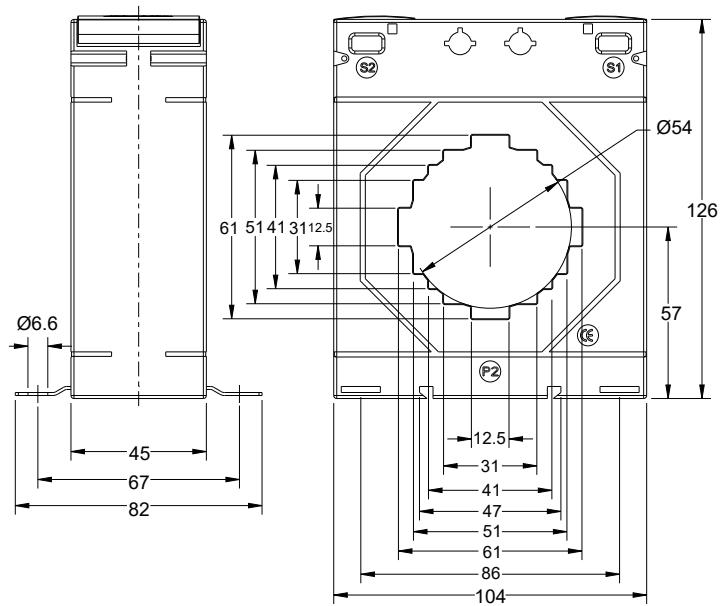
Aperture: 61 x 12.5 mm - 51 x 31 mm - 41 x 41 mm - Ø 54 mm

Primary Rating: 100 - 1600A

Secondary Rating: 5A as below, 1A Ratio's available change part number to end in 1A e.g. XL7A-100/1A

Part number	Primary current	Accuracy			Security Factor (ISF)		
		0.5	1	3	0.5	1	3
XL7A-100/5A	100A	-	1.5VA	2.5VA	-	10	5
XL7A-120/5A	120A	-	2.5VA	3.75VA	-	10	5
XL7A-125/5A	125A	-	2.5VA	3.75VA	-	10	5
XL7A-150/5A	150A	2.5VA	5VA	7.5VA	10	5	5
XL7A-200/5A	200A	5VA	10VA	12.5VA	10	5	5
XL7A-250/5A	250A	7.5VA	12.5VA	15VA	5	5	5
XL7A-300/5A	300A	10VA	15VA	15VA	5	5	5
XL7A-400/5A	400A	10VA	15VA	20VA	5	5	5
XL7A-500/5A	500A	15VA	20VA	25VA	5	5	5
XL7A-600/5A	600A	15VA	30VA	30VA	5	5	5
XL7A-750/5A	750A	20VA	30VA	35VA	5	5	5
XL7A-800/5A	800A	30VA	30VA	35VA	5	5	5
XL7A-1000/5A	1000A	30VA	45VA	45VA	5	5	5
XL7A-1200/5A	1200A	30VA	45VA	50VA	5	5	5
XL7A-1250/5A	1250A	30VA	45VA	50VA	5	5	5
XL7A-1500/5A	1500A	30VA	45VA	50VA	5	5	5
XL7A-1600/5A	1600A	30VA	45VA	50VA	5	5	5

XL7A



Busbar and Mounting feet fixings are supplied as standard.
DIN Rail Mounting Adapters available - Part Number XL-DRBRK-3

Ebony Excel Current Transformers



XL7B RANGE

Case size: 104 mm wide x 45 mm deep x 126 mm high

Aperture: 81 x 12.5 mm - 61 x 31 mm - 51 x 51 mm - Ø 65 mm

Primary Rating: 200 - 2000A

Secondary Rating: 5A as below, 1A Ratio's available change part number to end in 1A e.g. XL7B-200/1A

Part number	Primary current	Accuracy			Security Factor (ISF)		
		0.5	1	3	0.5	1	3
XL7B-200/5A	200A	-	1.5VA	2.5VA	-	5	5
XL7B-250/5A	250A	1.5VA	2.5VA	3.75VA	10	5	5
XL7B-300/5A	300A	2.5VA	7.5VA	7.5VA	10	5	5
XL7B-400/5A	400A	7.5VA	10VA	10VA	5	5	5
XL7B-500/5A	500A	10VA	10VA	10VA	5	5	5
XL7B-600/5A	600A	10VA	12.5VA	12.5VA	5	5	5
XL7B-750/5A	750A	15VA	15VA	15VA	5	5	5
XL7B-800/5A	800A	15VA	15VA	15VA	5	5	5
XL7B-1000/5A	1000A	20VA	30VA	20VA	5	5	5
XL7B-1200/5A	1200A	20VA	30VA	30VA	5	5	5
XL7B-1250/5A	1250A	20VA	30VA	30VA	5	5	5
XL7B-1500/5A	1500A	20VA	30VA	30VA	5	5	5
XL7B-1600/5A	1600A	20VA	30VA	30VA	5	5	5
XL7B-2000/5A	2000A	20VA	30VA	35VA	5	5	5

Busbar and Mounting feet fixings are supplied as standard.

DIN Rail Mounting Adapters available - Part Number XL-DRBRK-2



XL7C RANGE

Case size: 130 mm wide x 60 mm deep x 170 mm high

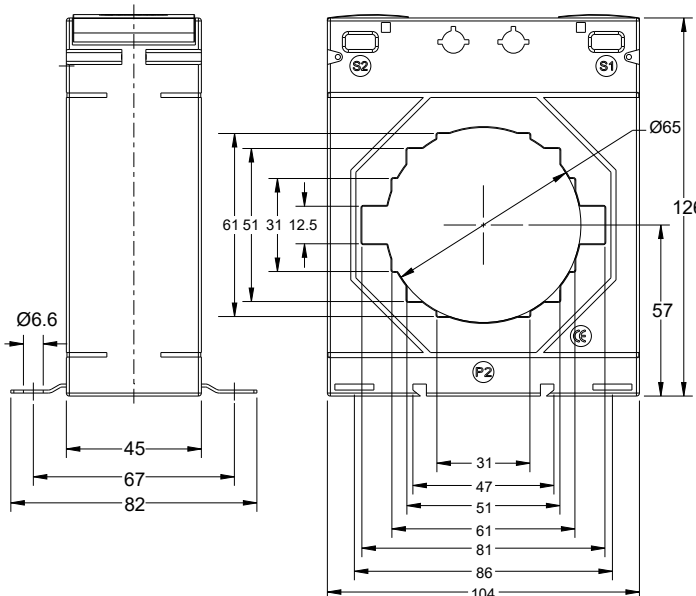
Aperture: 56 x 101 mm

Primary Rating: 600 - 3000A

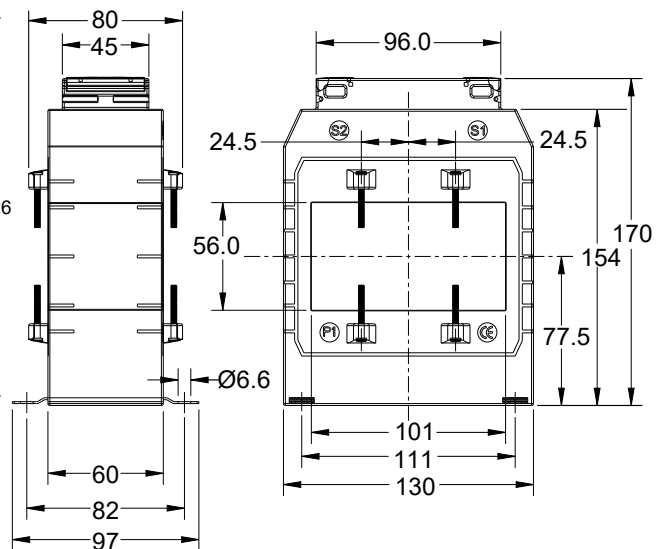
Secondary Rating: 5A as below, 1A Ratio's available change part number to end in 1A e.g. XL7C-600/1A

Part number	Primary current	Accuracy			Security Factor (ISF)		
		0.5	1	3	0.5	1	3
XL7C-600/5A	600A	5VA	10VA	10VA	5	5	5
XL7C-750/5A	750A	10VA	10VA	10VA	5	5	5
XL7C-800/5A	800A	10VA	10VA	10VA	5	5	5
XL7C-1000/5A	1000A	15VA	15VA	15VA	5	5	5
XL7C-1200/5A	1200A	15VA	15VA	15VA	5	5	5
XL7C-1250/5A	1250A	15VA	15VA	15VA	5	5	5
XL7C-1500/5A	1500A	15VA	15VA	15VA	5	5	5
XL7C-1600/5A	1600A	15VA	15VA	15VA	5	5	5
XL7C-2000/5A	2000A	15VA	15VA	15VA	5	5	5
XL7C-2500/5A	2500A	15VA	15VA	15VA	10	10	5
XL7C-3000/5A	3000A	15VA	15VA	15VA	10	10	5

XL7B



XL7C



Ebony Excel Current Transformers



XL8A RANGE

Case size: 140 mm wide x 45 mm deep x 155 mm high

Aperture: 81 x 31 mm - 61 x 51 mm - Ø 73 mm

Primary Rating: 200 - 2000A

Secondary Rating: 5A as below, 1A Ratio's available change part number to end in 1A e.g. XL8A-200/1A

Part number	Primary current	Accuracy			Security Factor (ISF)		
		0.5	1	3	0.5	1	3
XL8A-200/5A	200A	2.5VA	5VA	7.5VA	10	5	5
XL8A-250/5A	250A	5VA	10VA	12.5VA	5	5	5
XL8A-300/5A	300A	7.5VA	15VA	15VA	5	5	5
XL8A-400/5A	400A	10VA	20VA	25VA	5	5	5
XL8A-500/5A	500A	15VA	30VA	30VA	5	5	5
XL8A-600/5A	600A	15VA	30VA	35VA	5	5	5
XL8A-750/5A	750A	15VA	45VA	45VA	5	5	5
XL8A-800/5A	800A	15VA	45VA	50VA	5	5	5
XL8A-1000/5A	1000A	30VA	60VA	60VA	5	5	5
XL8A-1200/5A	1200A	30VA	60VA	60VA	5	5	5
XL8A-1250/5A	1250A	60VA	60VA	60VA	5	5	5
XL8A-1500/5A	1500A	60VA	60VA	60VA	5	5	5
XL8A-1600/5A	1600A	60VA	60VA	60VA	5	5	5
XL8A-2000/5A	2000A	60VA	60VA	60VA	5	5	5



XL8B RANGE

Case size: 140 mm wide x 45 mm deep x 155 mm high

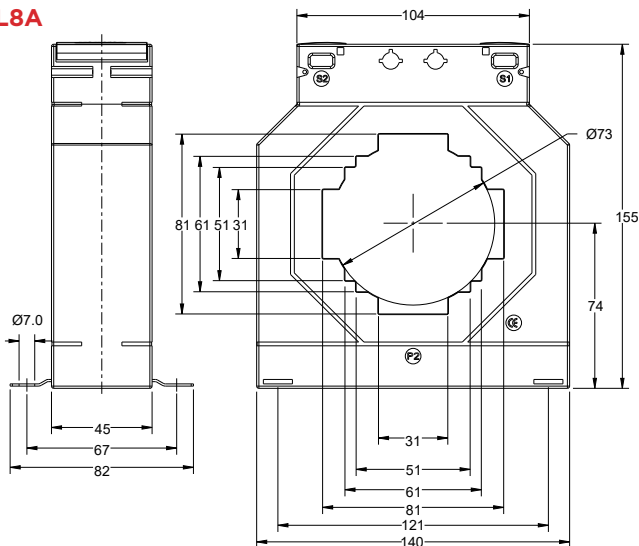
Aperture: 101 x 31 mm - 81 x 51 mm - 71 x 61 mm - Ø 86 mm

Primary Rating: 200 - 4000A

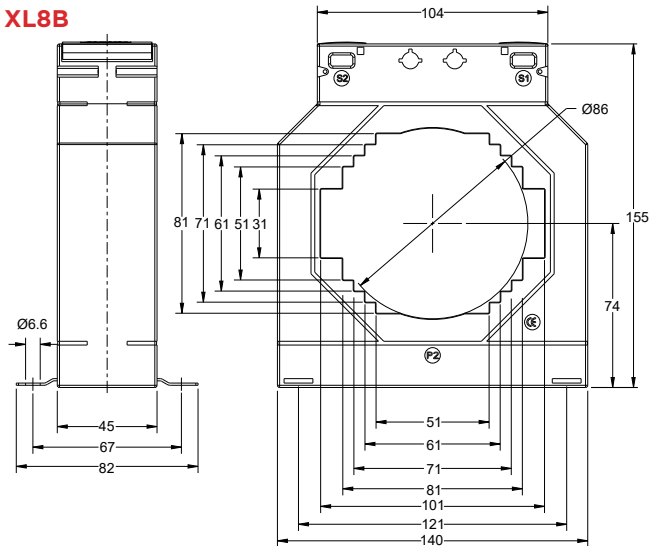
Secondary Rating: 5A as below, 1A Ratio's available change part number to end in 1A e.g. XL8B-200/1A

Part number	Primary current	Accuracy			Security Factor (ISF)		
		0.5	1	3	0.5	1	3
XL8B-200/5A	200A	1.5VA	3.75VA	5VA	10	5	5
XL8B-250/5A	250A	2.5VA	5VA	7.5VA	10	5	5
XL8B-300/5A	300A	3.75VA	7.5VA	10VA	10	5	5
XL8B-400/5A	400A	7.5VA	10VA	12.5VA	10	5	5
XL8B-500/5A	500A	10VA	12.5VA	12.5VA	10	5	5
XL8B-600/5A	600A	10VA	15VA	15VA	5	5	5
XL8B-750/5A	750A	15VA	20VA	20VA	5	5	5
XL8B-800/5A	800A	15VA	20VA	25VA	5	5	5
XL8B-1000/5A	1000A	15VA	20VA	25VA	5	5	5
XL8B-1200/5A	1200A	15VA	30VA	30VA	5	5	5
XL8B-1250/5A	1250A	15VA	30VA	35VA	5	5	5
XL8B-1500/5A	1500A	20VA	30VA	40VA	5	5	5
XL8B-1600/5A	1600A	20VA	45VA	45VA	5	5	5
XL8B-2000/5A	2000A	45VA	45VA	45VA	5	5	5
XL8B-2500/5A	2500A	45VA	45VA	45VA	5	5	5
XL8B-3000/5A	3000A	60VA	60VA	60VA	5	5	5
XL8B-4000/5A	4000A	60VA	60VA	60VA	5	5	5

XL8A



XL8B



Ebony Excel Current Transformers



XL8C RANGE

Case size: 140 mm wide x 45 mm deep x 155 mm high

Aperture: 31 x 101 mm - 51 x 81 mm - 61 x 71 mm - Ø 86mm

Primary Rating: 200 - 3000A

Secondary Rating: 5A as below, 1A Ratio's available change part number to end in 1A e.g. XL8C-200/1A

Part number	Primary current	Accuracy			Security Factor (ISF)		
		0.5	1	3	0.5	1	3
XL8C-200/5A	200A	1.5VA	3.75VA	5VA	10	5	5
XL8C-250/5A	250A	2.5VA	5VA	5VA	10	5	5
XL8C-300/5A	300A	3.75VA	7.5VA	10VA	10	5	5
XL8C-400/5A	400A	10VA	10VA	12.5VA	10	5	5
XL8C-500/5A	500A	10VA	12.5VA	12.5VA	10	5	5
XL8C-600/5A	600A	12.5VA	15VA	15VA	5	5	5
XL8C-750/5A	750A	15VA	20VA	20VA	5	5	5
XL8C-800/5A	800A	15VA	20VA	20VA	5	5	5
XL8C-1000/5A	1000A	15VA	20VA	20VA	5	5	5
XL8C-1200/5A	1200A	15VA	30VA	30VA	5	5	5
XL8C-1250/5A	1250A	15VA	30VA	30VA	5	5	5
XL8C-1500/5A	1500A	30VA	30VA	35VA	5	5	5
XL8C-1600/5A	1600A	45VA	45VA	45VA	5	5	5
XL8C-2000/5A	2000A	45VA	45VA	45VA	5	5	5
XL8C-2500/5A	2500A	45VA	45VA	45VA	5	5	5
XL8C-3000/5A	3000A	60VA	60VA	60VA	5	5	5



XL9A RANGE

Case size: 140 mm wide x 45 mm deep x 185 mm high

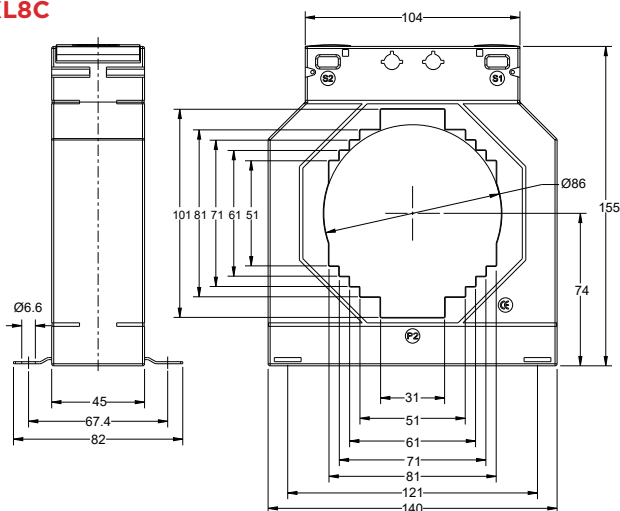
Aperture: 70 x 130 mm

Primary Rating: 400 - 5000A

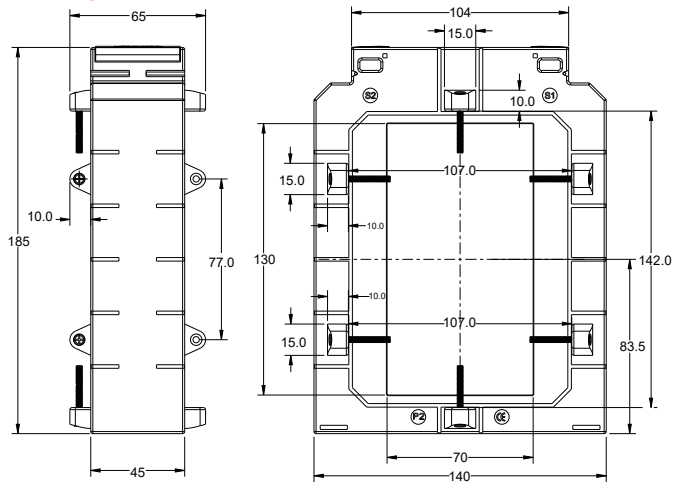
Secondary Rating: 5A as below, 1A Ratio's available change part number to end in 1A e.g. XL9A-400/1A

Part number	Primary current	Accuracy			Security Factor (ISF)		
		0.5	1	3	0.5	1	3
XL9A-400/5A	400A	3.75VA	5VA	6.25VA	10	10	10
XL9A-500/5A	500A	3.75VA	5VA	7.5VA	10	10	10
XL9A-600/5A	600A	3.75VA	5VA	7.5VA	10	10	10
XL9A-750/5A	750A	5VA	7.5VA	10VA	10	10	10
XL9A-800/5A	800A	5VA	7.5VA	10VA	10	10	10
XL9A-1000/5A	1000A	10VA	10VA	15VA	10	10	10
XL9A-1200/5A	1200A	10VA	15VA	20VA	10	10	10
XL9A-1250/5A	1250A	10VA	15VA	20VA	10	10	10
XL9A-1500/5A	1500A	15VA	15VA	20VA	10	10	10
XL9A-1600/5A	1600A	15VA	15VA	20VA	10	10	10
XL9A-2000/5A	2000A	20VA	20VA	20VA	10	10	10
XL9A-2500/5A	2500A	20VA	20VA	25VA	10	10	10
XL9A-3000/5A	3000A	20VA	20VA	25VA	10	10	10
XL9A-3200/5A	3200A	20VA	20VA	30VA	10	10	10
XL9A-4000/5A	4000A	20VA	20VA	35VA	10	10	10
XL9A-5000/5A	5000A	20VA	20VA	35VA	15	15	15

XL8C



XL9A



Ebony Excel Current Transformers



XL10A RANGE

Case size: 225 mm wide x 50 mm deep x 206 mm high

Aperture: 125 x 93 mm

Primary Rating: 600 - 6000A

Secondary Rating: 5A as below, 1A Ratio's available change part number to end in 1A e.g. XL10A-600/1A

Part number	Primary current	Accuracy			Security Factor (ISF)		
		0.5	1	3	0.5	1	3
XL10A-600/5A	600A	5VA	10VA	12.5VA	10	10	10
XL10A-750/5A	750A	10VA	10VA	12.5VA	10	10	10
XL10A-800/5A	800A	10VA	10VA	15VA	10	10	10
XL10A-1000/5A	1000A	10VA	15VA	15VA	10	10	10
XL10A-1200/5A	1200A	10VA	15VA	20VA	10	10	10
XL10A-1250/5A	1250A	10VA	15VA	20VA	10	10	10
XL10A-1500/5A	1500A	15VA	30VA	30VA	10	5	5
XL10A-1600/5A	1600A	15VA	30VA	35VA	10	5	5
XL10A-2000/5A	2000A	15VA	30VA	35VA	10	5	5
XL10A-2500/5A	2500A	30VA	30VA	45VA	10	5	5
XL10A-3000/5A	3000A	30VA	60VA	60VA	10	5	5
XL10A-4000/5A	4000A	45VA	60VA	60VA	10	5	5
XL10A-5000/5A	5000A	100VA	100VA	100VA	5	5	5
XL10A-6000/5A	6000A	100VA	100VA	100VA	5	5	5



XL10B RANGE

Case size: 225 mm wide x 50 mm deep x 206 mm high

Aperture: 167 x 66 mm

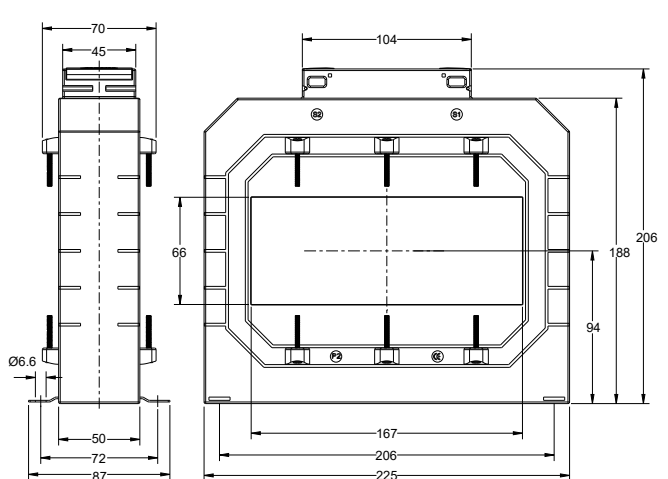
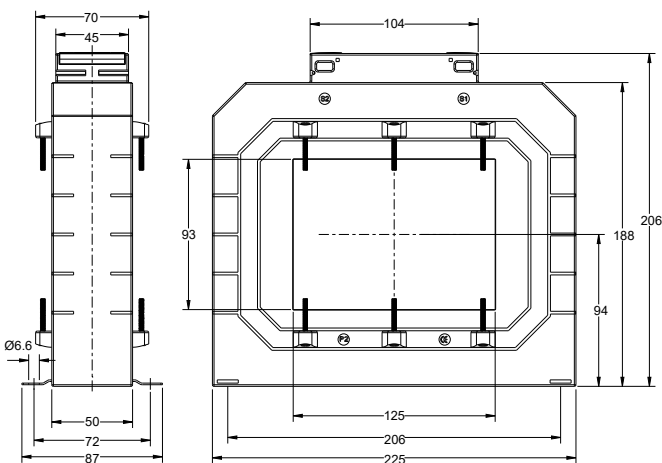
Primary Rating: 1000 - 7500A

Secondary Rating: 5A as below, 1A Ratio's available change part number to end in 1A e.g. XL10B-1000/1A

Part number	Primary current	Accuracy			Security Factor (ISF)		
		0.5	1	3	0.5	1	3
XL10B-1000/5A	1000A	5VA	10VA	15VA	10	10	10
XL10B-1200/5A	1200A	10VA	15VA	20VA	10	10	10
XL10B-1250/5A	1250A	10VA	15VA	20VA	10	10	10
XL10B-1500/5A	1500A	15VA	30VA	30VA	10	5	5
XL10B-1600/5A	1600A	15VA	30VA	35VA	10	5	5
XL10B-2000/5A	2000A	30VA	30VA	35VA	10	5	5
XL10B-2500/5A	2500A	30VA	45VA	45VA	10	5	5
XL10B-3000/5A	3000A	30VA	45VA	50VA	10	5	5
XL10B-4000/5A	4000A	30VA	45VA	50VA	10	10	10
XL10B-5000/5A	5000A	30VA	45VA	50VA	10	10	10
XL10B-6000/5A	6000A	30VA	45VA	50VA	10	10	10
XL10B-7500/5A	7500A	30VA	45VA	50VA	10	10	10

XL10A

XL10B



Ebony Excel Current Transformers

	XL0 model		XL1 model		XL2 model					
	XL0A	XL0B	XL1A	XL1B	XL2A	XL2B	XL2C	XL2D	XL2E	XL2F
Inside Dia Ø (mm)	-	-	14	21	14	21	26	14	21	26
Busbars (mm)	-	-	-	-	-	-	30 X 10	-	-	30 X 10
	-	-	-	20 X 10	-	20 X 10	25 X 15	-	20X 10	25 X 15
Height (mm)	78	98	65	65	70	70	70	70	70	70
Width (mm)	62	74	45	45	50	50	50	50	50	51
Depth (mm)	40	45	40	40	31	31	31	51	51	52
DIN Rail Mounting Adapter (available seperately)	✓	✓	✓	✓	✓	✓	✓	-	-	-
Panel or Wall Mounting	✓	✓	✓	✓	✓	✓	✓	✓	✓	✓
Busbar Mounting	-	-	✓	✓	✓	✓	✓	✓	✓	✓
Terminal Cover	✓	✓	✓	✓	✓	✓	✓	✓	✓	✓
Primary Current	1A→30A	1A→60A	30A→300A	50A→400A	40A→300A	20A→400A	20A→600A	30A→300A	50A→400A	50A→600A
Max screw torque setting (Nm)	0.75	0.75	0.75	0.75	0.75	0.75	0.75	0.75	0.75	0.75

	XL3 model					XL4 model			
	XL3A	XL3B	XL3C	XL3D	XL3E	XL4A	XL4B	XL4C	XL4D
Inside Dia Ø (mm)	22.5	-	30.5	31	28	20.4	26	35	41
Busbars (mm)	-	-	-	-	-	-	-	-	50 X 12.5
	-	20 X 10	30 X 10	40 X 10	-	15 x 15	30 X 15	40 X 10	40 X 20
	-	15 X 15	25 X 25	30 X 20	30 X 10	20 X 10	20 X 20	30 X 30	30 X 30
Height (mm)	78	78	78	78	78	98	98	98	98
Width (mm)	62	62	62	62	62	74	74	74	74
Depth (mm)	40	40	40	40	51	45	45	45	45
DIN Rail Mounting Adapter (available seperately)	✓	✓	✓	✓	✓	✓	✓	✓	✓
Panel or Wall Mounting	✓	✓	✓	✓	✓	✓	✓	✓	✓
Busbar Mounting	-	✓	✓	✓	✓	✓	✓	✓	✓
Terminal Cover	✓	✓	✓	✓	✓	✓	✓	✓	✓
Primary Current	50A→600A	50A→500A	50A→800A	40A→800A	40A→800A	40A→500A	40A→800A	40A→1000A	100A→1000A
Max screw torque setting (Nm)	0.75	0.75	0.75	0.75	0.75	0.75	0.75	0.75	0.75

Ebony Excel Current Transformers

	XL5 model			XL6 model		XL7 model		
	XL5A	XL5B	XL5C	XL6A	XL6B	XL7A	XL7B	XL7C
Inside Dia Ø (mm)	36	46	51	-	-	54	65	-
Busbars (mm)	-	-	-	-	-	60 X 10	80 X 10	101 X 56
	40 X 10	50 X 10	60 X 10	40 X 100	40 X 125	50 X 30	60 X 30	-
	30 X 30	40 X 30	50 X 30	-	-	40 X 40	50 X 50	-
Height (mm)	110	110	110	170	170	126	126	170
Width (mm)	86	86	86	99	99	104	104	130
Depth (mm)	45	45	45	45	45	45	45	60
DIN Rail Mounting Adapter (available seperately)	✓	✓	✓	-	-	✓	✓	-
Panel or Wall Mounting	✓	✓	✓	✓	✓	✓	✓	✓
Busbar Mounting	✓	✓	✓	✓	✓	✓	✓	✓
Terminal Cover	✓	✓	✓	✓	✓	✓	✓	✓
Primary Current	50A→1000A	100A→1250A	100A→1600A	400A→2500A	400A→3200A	100A→1600A	200A→2000A	600→3000A
Max screw torque setting (Nm)	0.75	0.75	0.75	0.75	0.75	0.75	0.75	0.75





	XL8 model			XL9 model		XL10 model
	XL8A	XL8B	XL8C	XL9A	XL10A	XL10B
Inside Dia Ø (mm)	73	86	86	-	-	-
Busbars (mm)	-	100 X 30	30 X 100	-	-	-
	80 X 30	80 X 50	50 X 80	70 X 130	125 X 90	167 X 66
	60 X 50	70 X 60	60 X 70	-	-	-
Height (mm)	155	155	155	185	206	206
Width (mm)	140	140	140	140	225	225
Depth (mm)	45	45	45	45	50	50
DIN Rail Mounting Adapter (available seperately)	-	-	-	-	-	-
Panel or Wall Mounting	✓	✓	✓	✓	✓	✓
Busbar Mounting	✓	✓	✓	✓	✓	✓
Terminal Cover	✓	✓	✓	✓	✓	✓
Primary Current	200A→2000A	200A→4000A	200A→3000A	400A→5000A	600A→6000A	1000A→7500A
Max screw torque setting (Nm)	0.75	0.75	0.75	0.75	0.75	0.75

Ebony Excel Current Transformers

Ebony Excel Accessories

Busbar Mounting Kits are supplied as standard with each Current Transformer.

The kit contains a selection of the below items based on what is required for each individual Current Transformer.

Busbar Mounting Kit Items			
M4 Busbar mounting Screws		Swivels	
Push in metal feet		Shoe for M4 Busbar mounting Screws	

Extra Busbar Mounting Kits are available to order, please see the below table

Current Transformer Model Type	Mounting Kit Order Code	Items in each Mounting Kit
XL0A, XL0B, XL1A, XL1B	XL-KIT-001	2 x Push in metal feet
XL2A, XL2B, XL2C, XL2D, XL2E, XL2F	XL-KIT-002	2 x Busbar mounting screws M4 x 35mm 2 x Push in metal feet 2 x Swivels 2 x Shoe for self tapping M4 screws
XL3A, XL3B, XL3C, XL3D, XL3E XL4A, XL4B, XL4C, XL4D XL5A, XL5B, XL5C	XL-KIT-003	2 x Busbar mounting screws M4 x 45mm 2 x Push in metal feet 2 x Swivels 2 x Shoe for self tapping M4 screws
XL6A, XL6B	XL-KIT-004	2 x Busbar mounting screws M4 x 35mm 2 x Push in metal feet 2 x Shoe for self tapping M4 screws
XL7A, XL7B, XL7C	XL-KIT-005	4 x Busbar mounting screws M4 x 45mm 4 x Push in metal feet 2 x Swivels 4 x Shoe for self tapping M4 screws
XL8A, XL8B, XL8C	XL-KIT-006	4 x Busbar mounting screws M4 x 75mm 2 x Push in metal feet 4 x Swivels 4 x Shoe for self tapping M4 screws
XL9A	XL-KIT-007	1 x Busbar mounting screw M4 x 75mm 5 x Busbar mounting screws M4 x 45mm 2 x Push in metal feet 6 x Shoe for self tapping M4 screws
XL10A, XL10B	XL-KIT-008	6 x Busbar mounting screws M4 x 75mm 2 x Push in metal feet 6 x Shoe for self tapping M4 screws

DIN Rail Mounting Adapters (available separately)

Current Transformer Model Type	Order Code	
XL1A, XL1B	XL-DRBRK-1	
XL2A, XL2B, XL2C	XL-DRBRK-2	
XL3A, XL3B, XL3C, XL3D, XL3E XL4A, XL4B, XL4C, XL4D, XL5A, XL5B, XL5C XL7A, XL7B, XL7C	XL-DRBRK-3	

Ebony Excel Current Transformers

Accuracy Class:- A designation assigned to a current transformer the errors of which remain within specified limit under prescribed conditions of use.

Rated Burden:- The impedance of the secondary circuit on which the accuracy requirements are based. It is usually expressed as apparent power (in VA), at the rated secondary current and at a specified power factor.

Rated Output:- The value of the apparent power (in volt-amperes at a specified power factor) which the current transformer is intended to supply to the secondary circuit at the rated secondary current and with rated burden connected to it.

Highest System Voltage:- The highest rms line to line voltage which can be sustained under normal operating conditions at any time and at any point on the system. It excludes temporary voltage variations due to fault condition and the sudden disconnection of large loads.

Rated Insulation Level:- That combination of voltage values (power frequency and lightning impulse, or where applicable, lightning and switching impulse) which characterizes the insulation of a transformer with regard to its capability to withstand by dielectric stresses. For low voltage transformer the test voltage 4kV, at power-frequency, applied during 1 minute.

Rated Short Time Thermal Current (I_{th}):- The RMS value of the primary current which the current transformer will withstand for a rated time, with their secondary winding short circuits without suffering harmful effects.

Rated Dynamic Current (I_{dyn}):- The peak value of the primary current which a current transformer will withstand, without being damaged electrically or mechanically by the resulting electromagnetic forces, the secondary winding being short-circuited.

Rated Continuous Thermal Current:- The value of current which can be permitted to flow continuously in the primary winding, the secondary windings being connected to the rated burdens, without the temperature rise exceeding the specified values.

Instrument Security Factor (ISF):- Instrument Security Factor is the ratio of Instrument Limit Primary Current to the rated Primary Current. Instrument Limit Current of a metering Current Transformer is the maximum value of primary current beyond which Current Transformer core becomes saturated. Instrument Security Factor of CT is the significant factor for choosing the metering Instruments which to be connected to the secondary of the CT. Security or Safety of the measuring unit is better, if ISF is low.

Ebony Excel Plus Current Transformers



XLOA+ RANGE

Case size: 62 mm wide x 40 mm deep x 78 mm high

Primary Rating: 1 - 30A

Secondary Rating: 5A as below, 1A Ratio's available change part number to end in 1A e.g. XLOA-1/1A-0.2

Part number	Primary current	Accuracy	Security Factor (ISF)
		0.2	0.2
XLOA-1/5A-0.2	1A	1VA	15
XLOA-2.5/5A-0.2	2.5A	1VA	15
XLOA-5/5A-0.2	5A	1VA	15
XLOA-7.5/5A-0.2	7.5A	1VA	15
XLOA-10/5A-0.2	10A	1VA	15
XLOA-15/5A-0.2	15A	1VA	15
XLOA-20/5A-0.2	20A	1VA	15
XLOA-25/5A-0.2	25A	1VA	15
XLOA-30/5A-0.2	30A	1VA	15



XLOB+ RANGE

Case size: 74 mm wide x 45 mm deep x 98 mm high

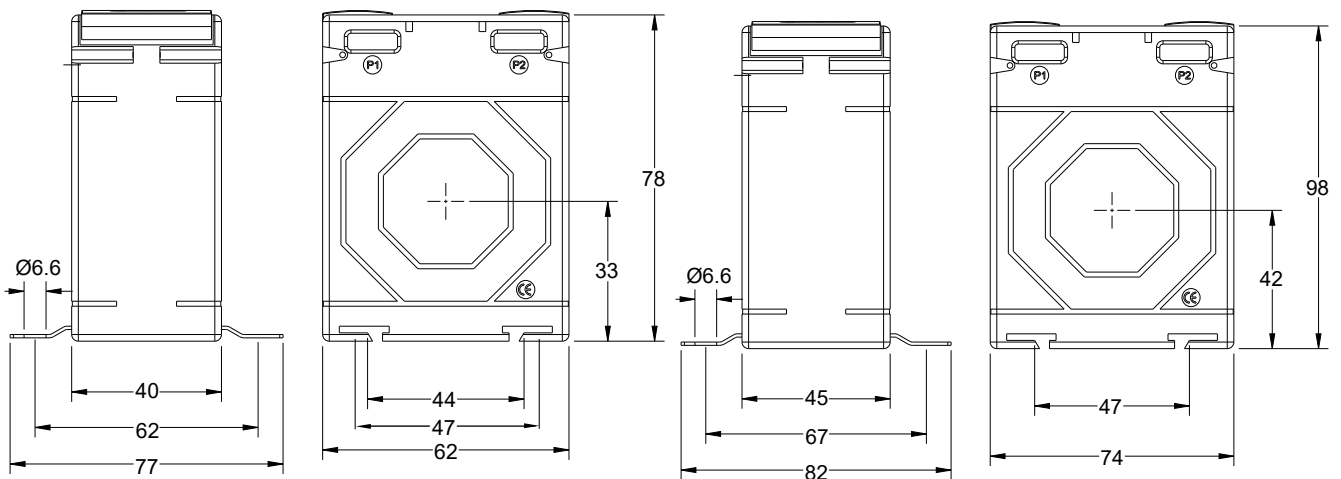
Primary Rating: 1 - 60A

Secondary Rating: 5A as below, 1A Ratio's available change part number to end in 1A e.g. XLOB-1/1A-0.2

Part number	Primary current	Accuracy	Security Factor (ISF)
		0.2	0.2
XLOB-1/5A-0.2	1A	1.5VA	15
XLOB-2.5/5A-0.2	2.5A	1.5VA	15
XLOB-5/5A-0.2	5A	1.5VA	15
XLOB-7.5/5A-0.2	7.5A	1.5VA	15
XLOB-10/5A-0.2	10A	1.5VA	15
XLOB-15/5A-0.2	15A	1.5VA	15
XLOB-20/5A-0.2	20A	1.5VA	15
XLOB-25/5A-0.2	25A	1.5VA	15
XLOB-30/5A-0.2	30A	1.5VA	15
XLOB-40/5A-0.2	40A	1.5VA	15
XLOB-50/5A-0.2	50A	1.5VA	15
XLOB-60/5A-0.2	60A	1.5VA	15

XLOA

XLOB



Ebony Excel Plus Current Transformers



XL3A+ RANGE

Case size: 62 mm wide x 40 mm deep x 78 mm high

Aperture: Ø 22.5 mm

Primary Rating: 100 - 600A

Secondary Rating: 5A as below, 1A Ratio's available change part number to end in 1A e.g. XL3A-100/1A-0.2

Part number	Primary current	Accuracy			Security Factor (ISF)		
		0.2	0.2S	0.5S	0.2	0.2S	0.5S
XL3A-100/5A-**	100A	1.5VA	-	-	10	-	-
XL3A-120/5A-**	120A	1.5VA	-	-	10	-	-
XL3A-125/5A-**	125A	1.5VA	-	-	10	-	-
XL3A-150/5A-**	150A	2.5VA	2.5VA	2.5VA	10	5	5
XL3A-200/5A-**	200A	5VA	5VA	5VA	5	5	5
XL3A-250/5A-**	250A	5VA	5VA	5VA	5	5	5
XL3A-300/5A-**	300A	5VA	5VA	5VA	5	5	5
XL3A-400/5A-**	400A	10VA	5VA	5VA	5	5	5
XL3A-500/5A-**	500A	10VA	-	-	5	-	-
XL3A-600/5A-**	600A	10VA	-	-	5	-	-

Replace ** with required class accuracy



XL3B+ RANGE

Case size: 62 mm wide x 40 mm deep x 78 mm high

Aperture: 20.5 x 12.5 mm - 15.5 x 15.5 mm

Primary Rating: 100 - 500A

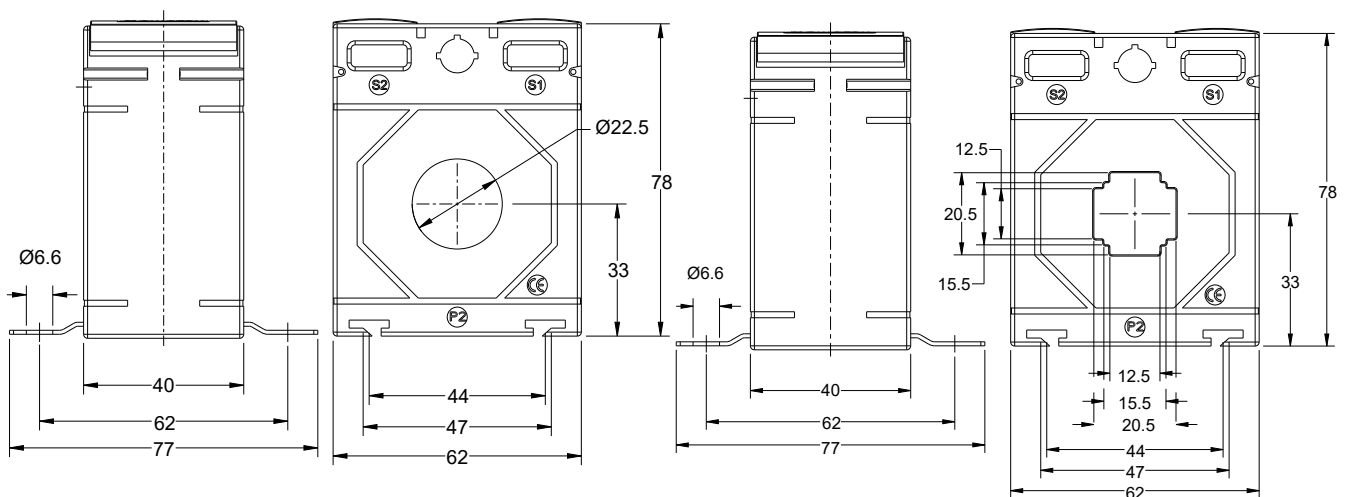
Secondary Rating: 5A as below, 1A Ratio's available change part number to end in 1A e.g. XL3B-100/1A-0.2

Part number	Primary current	Accuracy			Security Factor (ISF)		
		0.2	0.2S	0.5S	0.2	0.2S	0.5S
XL3B-100/5A-**	100A	1.5VA	1.5VA	1.5VA	10	5	5
XL3B-120/5A-**	120A	1.5VA	1.5VA	1.5VA	10	5	5
XL3B-125/5A-**	125A	1.5VA	1.5VA	1.5VA	10	5	5
XL3B-150/5A-**	150A	2.5VA	2VA	2VA	10	5	5
XL3B-200/5A-**	200A	5VA	3.75VA	3.75VA	5	5	5
XL3B-250/5A-**	250A	5VA	3.75VA	3.75VA	5	5	5
XL3B-300/5A-**	300A	10VA	3.75VA	3.75VA	5	5	5
XL3B-400/5A-**	400A	10VA	5VA	5VA	5	5	5
XL3B-500/5A-**	500A	10VA	5VA	5VA	5	5	5

Replace ** with required class accuracy

XL3A

XL3B



Ebony Excel Plus Current Transformers



XL3C+ RANGE

Case size: 62 mm wide x 40 mm deep x 78 mm high

Aperture: 31 x 11 mm - 26 x 21 mm - Ø 30.5 mm

Primary Rating: 100 - 800

Secondary Rating: 5A as below, 1A Ratio's available change part number to end in 1A e.g. XL3C-100/1A-0.2

Part number	Primary current	Accuracy			Security Factor (ISF)		
		0.2	0.2S	0.5S	0.2	0.2S	0.5S
XL3C-100/5A-**	100A	1VA	1VA	1VA	10	5	5
XL3C-120/5A-**	120A	1VA	1VA	1VA	10	5	5
XL3C-125/5A-**	125A	1VA	1VA	1VA	10	5	5
XL3C-150/5A-**	150A	1.5VA	2.5VA	2.5VA	10	5	5
XL3C-200/5A-**	200A	3.75VA	5VA	5VA	10	5	5
XL3C-250/5A-**	250A	5VA	5VA	5VA	10	5	5
XL3C-300/5A-**	300A	3.75VA	5VA	5VA	10	5	5
XL3C-400/5A-**	400A	10VA	5VA	5VA	10	5	5
XL3C-500/5A-**	500A	10VA	5VA	5VA	5	10	10
XL3C-600/5A-**	600A	10VA	7.5VA	7.5VA	5	10	10
XL3C-750/5A-**	750A	10VA	10VA	10VA	5	10	10
XL3C-800/5A-**	800A	10VA	10VA	10VA	5	10	10

Replace ** with required class accuracy



XL3D+ RANGE

Case size: 62 mm wide x 40 mm deep x 78 mm high

Aperture: 40.5 x 11 mm - 31 x 21 mm - Ø 31 mm

Primary Rating: 200 - 800A

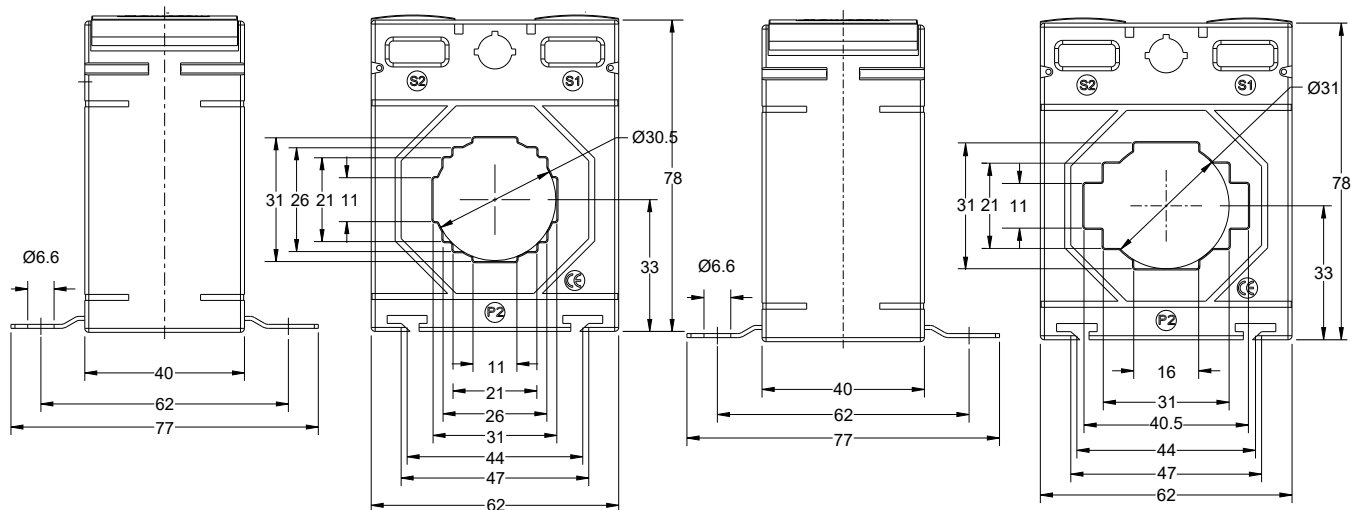
Secondary Rating: 5A as below, 1A Ratio's available change part number to end in 1A e.g. XL3D-200/1A-0.2

Part number	Primary current	Accuracy			Security Factor (ISF)		
		0.2	0.2S	0.5S	0.2	0.2S	0.5S
XL3D-200/5A-**	200A	1VA	1VA	1VA	10	5	5
XL3D-250/5A-**	250A	1.5VA	1.5VA	1.5VA	10	5	5
XL3D-300/5A-**	300A	1.5VA	1.5VA	1.5VA	10	5	5
XL3D-400/5A-**	400A	2.5VA	2.5VA	2.5VA	10	5	5
XL3D-500/5A-**	500A	5VA	2.5VA	2.5VA	5	5	5
XL3D-600/5A-**	600A	7.5VA	2.5VA	2.5VA	5	5	5
XL3D-750/5A-**	750A	10VA	5VA	5VA	5	5	5
XL3D-800/5A-**	800A	10VA	5VA	5VA	5	5	5

Replace ** with required class accuracy

XL3C

XL3D



Busbar and Mounting feet fixings are supplied as standard.
DIN Rail Mounting Adapters available - Part Number XL-DRBRK-3

Ebony Excel Plus Current Transformers



XL3E+ RANGE

Case size: 62 mm wide x 51 mm deep x 78 mm high

Aperture: 30.5 x 10.5 mm - Ø 28 mm

Primary Rating: 100 - 800A

Secondary Rating: 5A as below, 1A Ratio's available change part number to end in 1A e.g. XL3E-100/1A-0.2

Part number	Primary current	Accuracy			Security Factor (ISF)		
		0.2	0.2S	0.5S	0.2	0.2S	0.5S
XL3E-100/5A-**	100A	1.25VA	1.25VA	1.25VA	15	5	5
XL3E-120/5A-**	120A	1.25VA	1.25VA	1.25VA	15	5	5
XL3E-125/5A-**	125A	1.25VA	1.25VA	1.25VA	15	5	5
XL3E-150/5A-**	150A	2VA	2VA	2VA	10	5	5
XL3E-200/5A-**	200A	3.75VA	5VA	5VA	10	5	5
XL3E-250/5A-**	250A	5VA	5VA	5VA	10	5	5
XL3E-300/5A-**	300A	5VA	5VA	5VA	10	5	5
XL3E-400/5A-**	400A	6.25VA	10VA	10VA	10	5	5
XL3E-500/5A-**	500A	7.5VA	5VA	5VA	10	10	10
XL3E-600/5A-**	600A	10VA	6.25VA	6.25VA	10	10	10
XL3E-750/5A-**	750A	10VA	6.25VA	6.25VA	10	10	10
XL3E-800/5A-**	800A	10VA	6.25VA	6.25VA	10	10	10

Replace ** with required class accuracy



XL4A+ RANGE

Case size: 74 mm wide x 45 mm deep x 98 mm high

Aperture: 21 x 11 mm - 15.5 X 15.5 mm- Ø 20.4 mm

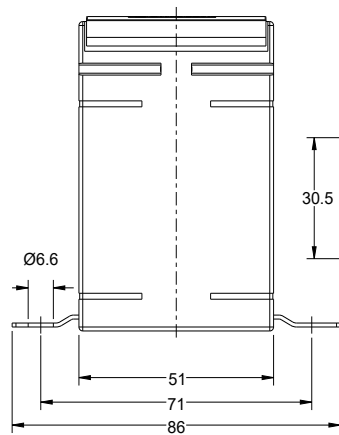
Primary Rating: 100 - 500A

Secondary Rating: 5A as below, 1A Ratio's available change part number to end in 1A e.g. XL4A-100/1A-0.2

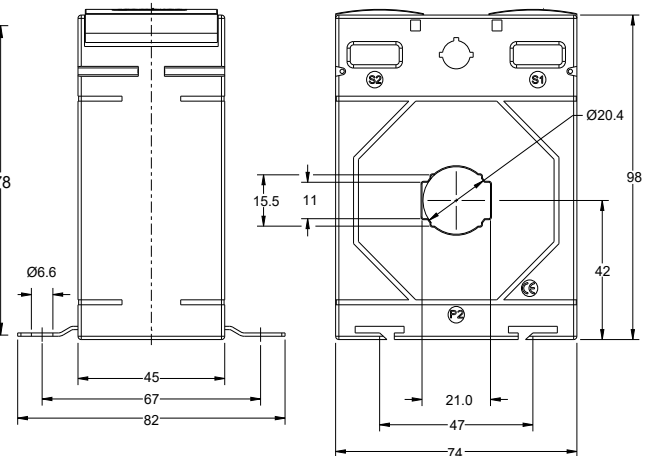
Part number	Primary current	Accuracy			Security Factor (ISF)		
		0.2	0.2S	0.5S	0.2	0.2S	0.5S
XL4A-100/5A-**	100A	1.5VA	1.5VA	1.5VA	15	5	5
XL4A-120/5A-**	120A	1.5VA	1.5VA	1.5VA	15	5	5
XL4A-125/5A-**	125A	1.5VA	1.5VA	1.5VA	15	5	5
XL4A-150/5A-**	150A	2.5VA	2.5VA	2.5VA	15	5	5
XL4A-200/5A-**	200A	5VA	5VA	5VA	10	5	5
XL4A-250/5A-**	250A	5VA	5VA	5VA	10	5	5
XL4A-300/5A-**	300A	7.5VA	5VA	5VA	10	5	5
XL4A-400/5A-**	400A	10VA	5VA	5VA	10	5	5
XL4A-500/5A-**	500A	10VA	5VA	5VA	10	5	5

Replace ** with required class accuracy

XL3E



XL4A



Ebony Excel Plus Current Transformers



XL4B+ RANGE

Case size: 74 mm wide x 45 mm deep x 98 mm high

Aperture: 31 x 15 mm - 21 x 21 mm - Ø 26 mm

Primary Rating: 100 - 800A

Secondary Rating: 5A as below, 1A Ratio's available change part number to end in 1A e.g. XL4B-100/1A-0.2

Part number	Primary current	Accuracy			Security Factor (ISF)		
		0.2	0.2S	0.5S	0.2	0.2S	0.5S
XL4B-100/5A-**	100A	1.5VA	1.5VA	1.5VA	15	5	5
XL4B-120/5A-**	120A	1.5VA	1.5VA	1.5VA	15	5	5
XL4B-125/5A-**	125A	1.5VA	1.5VA	1.5VA	15	5	5
XL4B-150/5A-**	150A	1.5VA	1.5VA	1.5VA	15	5	5
XL4B-200/5A-**	200A	2.5VA	2.5VA	2.5VA	15	5	5
XL4B-250/5A-**	250A	2.5VA	2.5VA	2.5VA	10	5	5
XL4B-300/5A-**	300A	5VA	2.5VA	2.5VA	10	10	10
XL4B-400/5A-**	400A	7.5VA	5VA	5VA	10	10	10
XL4B-500/5A-**	500A	10VA	5VA	5VA	10	10	10
XL4B-600/5A-**	600A	15VA	5VA	5VA	10	10	10
XL4B-750/5A-**	750A	20VA	7.5VA	7.5VA	10	10	10
XL4B-800/5A-**	800A	30VA	10VA	10VA	10	10	10

Replace ** with required class accuracy



XL4C+ RANGE

Case size: 74 mm wide x 45 mm deep x 98 mm high

Aperture: 41 x 12.5 mm - 31 x 31 mm - Ø 35 mm

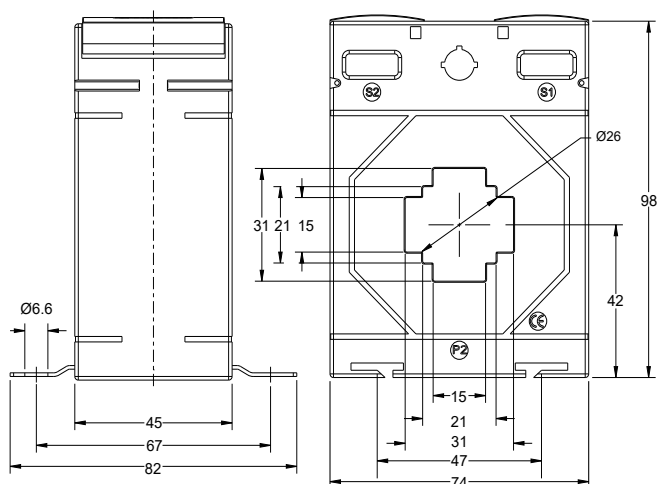
Primary Rating: 100 - 1000A

Secondary Rating: 5A as below, 1A Ratio's available change part number to end in 1A e.g. XL4C-100/1A-0.2S

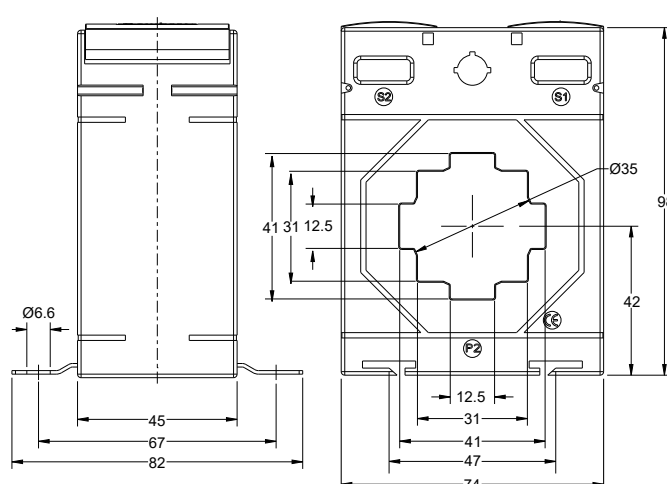
Part number	Primary current	Accuracy			Security Factor (ISF)		
		0.2	0.2S	0.5S	0.2	0.2S	0.5S
XL4C-100/5A-**	100A	-	1VA	1VA	-	5	5
XL4C-120/5A-**	120A	-	1VA	1VA	-	5	5
XL4C-125/5A-**	125A	-	1VA	1VA	-	5	5
XL4C-150/5A-**	150A	-	1.5VA	1.5VA	-	5	5
XL4C-200/5A-**	200A	2.5VA	2.5VA	2.5VA	10	5	5
XL4C-250/5A-**	250A	3.75VA	5VA	5VA	10	5	5
XL4C-300/5A-**	300A	5VA	5VA	5VA	5	5	5
XL4C-400/5A-**	400A	10VA	5VA	5VA	5	5	5
XL4C-500/5A-**	500A	10VA	5VA	5VA	5	5	5
XL4C-600/5A-**	600A	15VA	5VA	5VA	5	10	10
XL4C-750/5A-**	750A	15VA	5VA	5VA	5	10	10
XL4C-800/5A-**	800A	15VA	7.5VA	7.5VA	5	5	5
XL4C-1000/5A-**	1000A	15VA	10VA	10VA	5	5	5

Replace ** with required class accuracy

XL4B



XL4C



Ebony Excel Plus Current Transformers



XL4D+ RANGE

Case size: 74 mm wide x 45 mm deep x 98 mm high

Aperture: 51 x 12.5 mm - 41 x 21 mm - 31 x 31 mm - Ø 41 mm

Primary Rating: 250 - 1000A

Secondary Rating: 5A as below, 1A Ratio's available change part number to end in 1A e.g. XL4D-250/1A-0.2

Part number	Primary current	Accuracy			Security Factor (ISF)		
		0.2	0.2S	0.5S	0.2	0.2S	0.5S
XL4D-250/5A-**	250A	1.5VA	1.5VA	1.5VA	10	5	5
XL4D-300/5A-**	300A	1.5VA	1.5VA	1.5VA	10	5	5
XL4D-400/5A-**	400A	2.5VA	2.5VA	2.5VA	5	5	5
XL4D-500/5A-**	500A	5VA	5VA	5VA	5	5	5
XL4D-600/5A-**	600A	7.5VA	5VA	5VA	5	5	5
XL4D-750/5A-**	750A	10VA	5VA	5VA	5	5	5
XL4D-800/5A-**	800A	10VA	5VA	5VA	5	5	5
XL4D-1000/5A-**	1000A	10VA	5VA	5VA	5	5	5

Replace ** with required class accuracy



XL5A+ RANGE

Case size: 86 mm wide x 45 mm deep x 110 mm high

Aperture: 41 x 11 mm - 31 x 31 mm - Ø 36 mm diameter

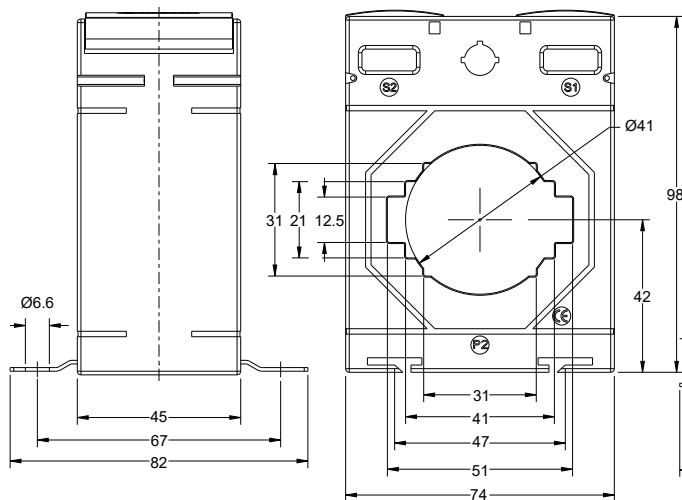
Primary Rating: 100 - 1000A

Secondary Rating: 5A as below, 1A Ratio's available change part number to end in 1A e.g. XL5A-100/1A-0.2

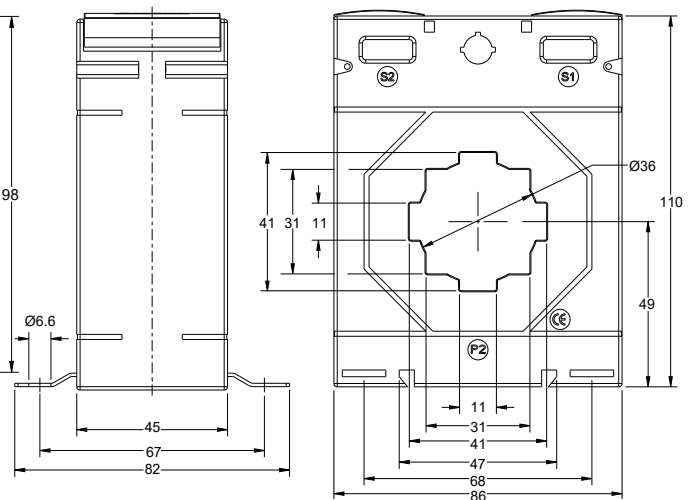
Part number	Primary current	Accuracy			Security Factor (ISF)		
		0.2	0.2S	0.5S	0.2	0.2S	0.5S
XL5A-100/5A-**	100A	1.5VA	1.5VA	1.5VA	10	5	5
XL5A-120/5A-**	120A	1.5VA	1.5VA	1.5VA	10	5	5
XL5A-125/5A-**	125A	1.5VA	1.5VA	1.5VA	10	5	5
XL5A-150/5A-**	150A	2.5VA	2.5VA	2.5VA	10	5	5
XL5A-200/5A-**	200A	2.5VA	5VA	5VA	10	5	5
XL5A-250/5A-**	250A	5VA	10VA	10VA	10	5	5
XL5A-300/5A-**	300A	10VA	10VA	10VA	10	5	5
XL5A-400/5A-**	400A	15VA	10VA	10VA	10	15	15
XL5A-500/5A-**	500A	15VA	5VA	5VA	5	15	15
XL5A-600/5A-**	600A	15VA	7.5VA	7.5VA	5	10	10
XL5A-750/5A-**	750A	15VA	7.5VA	7.5VA	5	10	10
XL5A-800/5A-**	800A	15VA	10VA	10VA	5	10	10
XL5A-1000/5A-**	1000A	15VA	10VA	10VA	5	10	10

Replace ** with required class accuracy

XL4D



XL5A



Ebony Excel Plus Current Transformers



XL6A+ RANGE

Case size: 99 mm wide x 45 mm deep x 170 mm high

Aperture: 41 x 103 mm

Primary Rating: 1000 - 2500A

Secondary Rating: 5A as below, 1A Ratio's available change part number to end in 1A e.g. XL6A-1000/1A-0.2

Part number	Primary current	Accuracy			Security Factor (ISF)		
		0.2	0.2S	0.5S	0.2	0.2S	0.5S
XL6A-1000/5A-**	1000A	5VA	-	-	10	-	-
XL6A-1200/5A-**	1200A	5VA	5VA	5VA	10	10	10
XL6A-1250/5A-**	1250A	5VA	5VA	5VA	10	10	10
XL6A-1500/5A-**	1500A	5VA	5VA	5VA	10	10	10
XL6A-1600/5A-**	1600A	10VA	7.5VA	7.5VA	10	10	10
XL6A-2000/5A-**	2000A	10VA	7.5VA	7.5VA	10	10	10
XL6A-2400/5A-**	2400A	10VA	10VA	10VA	10	10	10
XL6A-2500/5A-**	2500A	10VA	10VA	10VA	10	10	10

Replace ** with required class accuracy



XL6B+ RANGE

Case size: 99 mm wide x 45 mm deep x 170 mm high

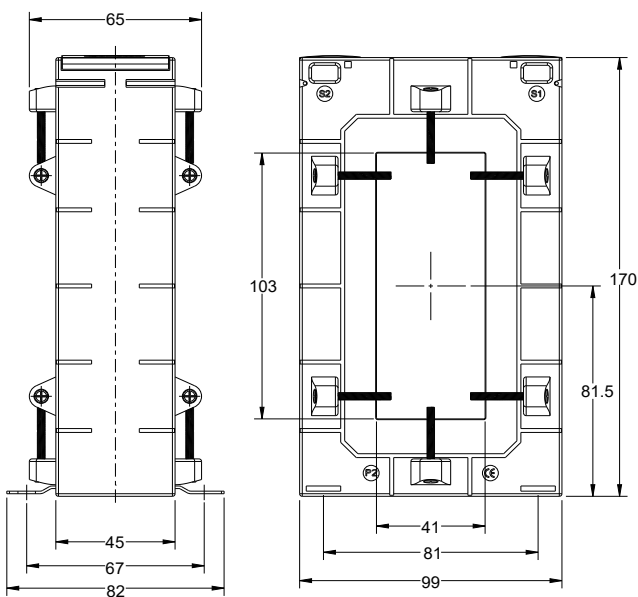
Aperture: 38 x 128 mm

Primary Rating: 1500 - 3200A

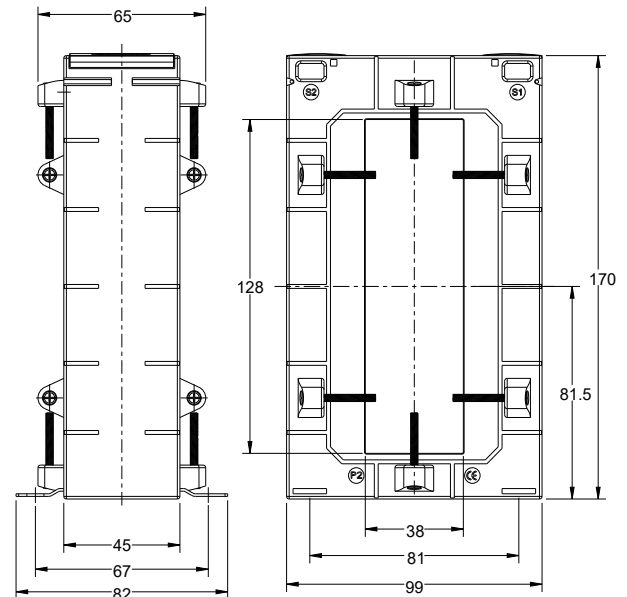
Secondary Rating: 5A as below, 1A Ratio's available change part number to end in 1A e.g. XL6B-1500/1A-0.2

Part number	Primary current	Accuracy	Security Factor (ISF)
		0.2	0.2
XL6B-1500/5A-0.2	1500A	5VA	10
XL6B-1600/5A-0.2	1600A	5VA	10
XL6B-2000/5A-0.2	2000A	5VA	10
XL6B-2500/5A-0.2	2500A	5VA	10
XL6B-3200/5A-0.2	3200A	5VA	10

XL6A



XL6B



Ebony Excel Plus Current Transformers



XL7A+ RANGE

Case size: 104 mm wide x 45 mm deep x 126 mm high

Aperture: 61 x 12.5 mm - 51 x 31 mm - 41 x 41 mm - Ø 54 mm

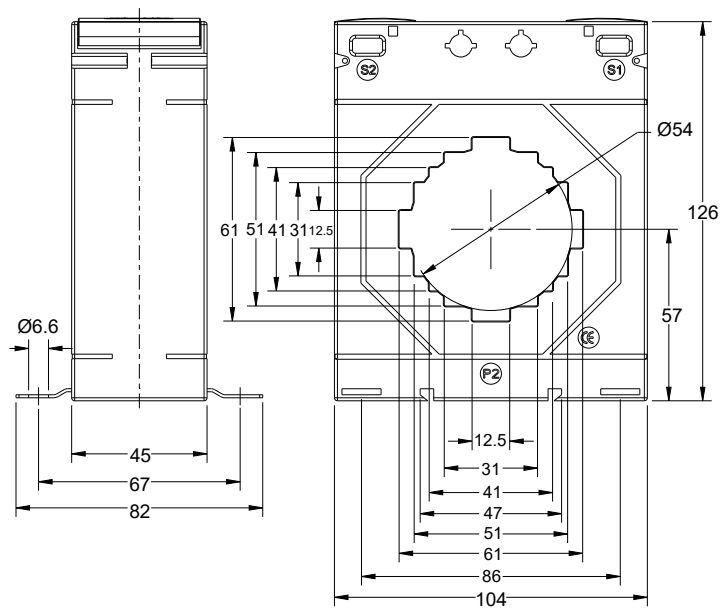
Primary Rating: 200 - 1600A

Secondary Rating: 5A as below, 1A Ratio's available change part number to end in 1A e.g. XL7A-200/1A-0.2

Part number	Primary current	Accuracy			Security Factor (ISF)		
		0.2	0.2S	0.5S	0.2	0.2S	0.5S
XL7A-200/5A-**	200A	1VA	-	-	15	-	-
XL7A-250/5A-**	250A	2.5VA	-	-	15	-	-
XL7A-300/5A-**	300A	3.75VA	1.5VA	1.5VA	15	15	15
XL7A-400/5A-**	400A	7.5VA	2.5VA	2.5VA	15	15	15
XL7A-500/5A-**	500A	10VA	3.75VA	3.75VA	10	15	15
XL7A-600/5A-**	600A	15VA	5VA	5VA	10	15	15
XL7A-750/5A-**	750A	15VA	5VA	5VA	10	15	15
XL7A-800/5A-**	800A	15VA	7.5VA	7.5VA	10	15	15
XL7A-1000/5A-**	1000A	20VA	10VA	10VA	5	10	10
XL7A-1200/5A-**	1200A	30VA	10VA	10VA	5	10	10
XL7A-1250/5A-**	1250A	30VA	10VA	10VA	5	10	10
XL7A-1500/5A-**	1500A	30VA	10VA	10VA	5	10	10
XL7A-1600/5A-**	1600A	30VA	10VA	10VA	5	10	10

Replace ** with required class accuracy

XL7A



Busbar and Mounting feet fixings are supplied as standard.
DIN Rail Mounting Adapters available - Part Number XL-DRBRK-3

Ebony Excel Plus Current Transformers



XL7B+ RANGE

Case size: 104 mm wide x 45 mm deep x 126 mm high

Aperture: 81 x 12.5 mm - 61 x 31 mm - 51 x 51 mm - Ø 65 mm

Primary Rating: 400 - 2000A

Secondary Rating: 5A as below, 1A Ratio's available change part number to end in 1A e.g. XL7B-200/1A-0.2

Part number	Primary current	Accuracy			Security Factor (ISF)		
		0.2	0.2S	0.5S	0.2	0.2S	0.5S
XL7B-400/5A-**-	400A	1.5VA	-	-	10	-	-
XL7B-500/5A-**-	500A	5VA	-	-	10	-	-
XL7B-600/5A-**-	600A	5VA	3.75VA	3.75VA	10	10	10
XL7B-750/5A-**-	750A	5VA	5VA	5VA	10	10	10
XL7B-800/5A-**-	800A	7.5VA	5VA	5VA	5	10	10
XL7B-1000/5A-**-	1000A	12.5VA	7.5VA	7.5VA	5	10	10
XL7B-1200/5A-**-	1200A	15VA	10VA	10VA	5	5	5
XL7B-1250/5A-**-	1250A	15VA	10VA	10VA	5	5	5
XL7B-1500/5A-**-	1500A	15VA	10VA	10VA	5	5	5
XL7B-1600/5A-**-	1600A	15VA	10VA	10VA	5	5	5
XL7B-2000/5A-**-	2000A	15VA	10VA	10VA	5	5	5

Replace ** with required class accuracy

Busbar and Mounting feet fixings are supplied as standard.

DIN Rail Mounting Adapters available - Part Number XL-DRBRK-3



XL7C+ RANGE

Case size: 130 mm wide x 60 mm deep x 170 mm high

Aperture: 56 x 101 mm

Primary Rating: 600 - 3000A

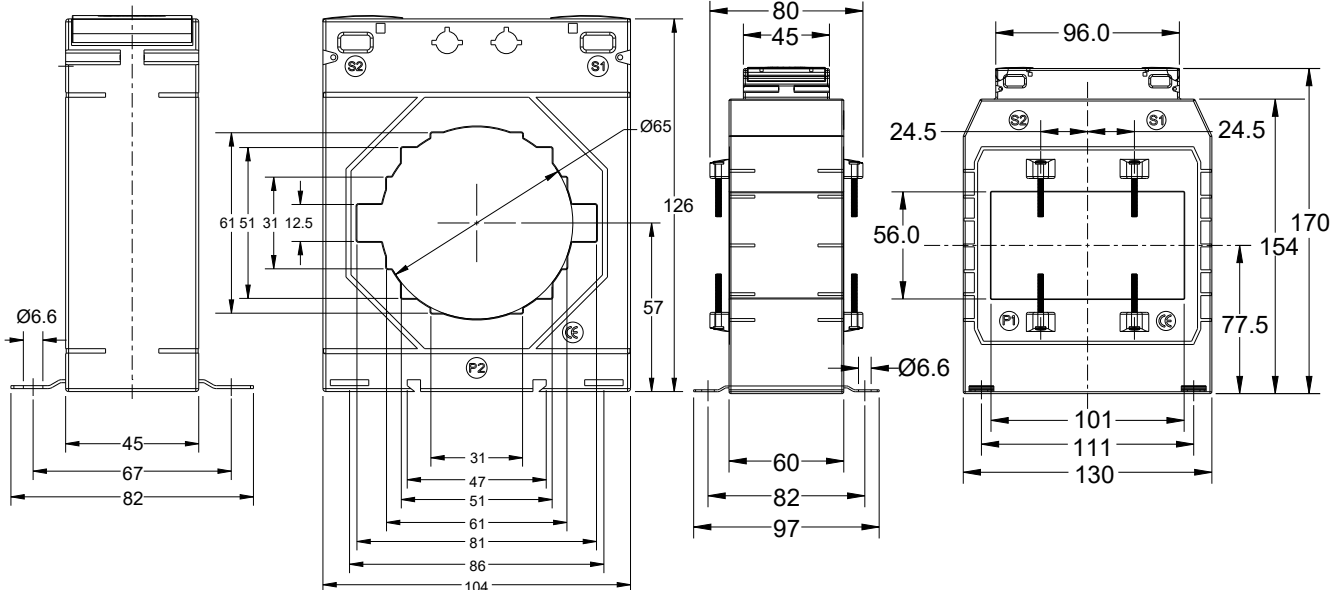
Secondary Rating: 5A as below, 1A Ratio's available change part number to end in 1A e.g. XL7C-600/1A-0.2

Part number	Primary current	Accuracy			Security Factor (ISF)		
		0.2	0.2S	0.5S	0.2	0.2S	0.5S
XL7C-600/5A-**-	600A	2.5VA	2.5VA	2.5VA	5	5	5
XL7C-750/5A-**-	750A	5VA	3.75VA	3.75VA	5	5	5
XL7C-800/5A-**-	800A	7.5VA	5VA	5VA	5	5	5
XL7C-1000/5A-**-	1000A	10VA	7.5VA	7.5VA	5	5	5
XL7C-1200/5A-**-	1200A	10VA	10VA	10VA	10	10	10
XL7C-1250/5A-**-	1250A	10VA	10VA	10VA	10	10	10
XL7C-1500/5A-**-	1500A	15VA	10VA	10VA	5	10	10
XL7C-1600/5A-**-	1600A	15VA	10VA	10VA	5	10	10
XL7C-2000/5A-**-	2000A	15VA	10VA	10VA	5	10	10
XL7C-2500/5A-**-	2500A	15VA	10VA	10VA	10	10	10
XL7C-3000/5A-**-	3000A	15VA	12.5VA	12.5VA	10	10	10

Replace ** with required class accuracy

XL7B

XL7C



Ebony Excel Plus Current Transformers



XL8A+ RANGE

Case size: 140 mm wide x 45 mm deep x 155 mm high

Aperture: 81 x 31 mm - 61 x 51 mm - Ø 73 mm

Primary Rating: 300 - 2000A

Secondary Rating: 5A as below, 1A Ratio's available change part number to end in 1A e.g. XL8A-300/1A-0.2

Part number	Primary current	Accuracy			Security Factor (ISF)		
		0.2	0.2S	0.5S	0.2	0.2S	0.5S
XL8A-300/5A-**-	300A	1.5VA	-	-	15	-	-
XL8A-400/5A-**-	400A	2.5VA	-	-	15	-	-
XL8A-500/5A-**-	500A	5VA	2.5VA	2.5VA	15	15	15
XL8A-600/5A-**-	600A	7.5VA	3.75VA	3.75VA	10	15	15
XL8A-750/5A-**-	750A	10VA	5VA	5VA	10	15	15
XL8A-800/5A-**-	800A	10VA	5VA	5VA	10	15	15
XL8A-1000/5A-**-	1000A	15VA	10VA	10VA	10	10	10
XL8A-1200/5A-**-	1200A	15VA	12.5VA	12.5VA	10	10	10
XL8A-1250/5A-**-	1250A	30VA	12.5VA	12.5VA	5	10	10
XL8A-1500/5A-**-	1500A	30VA	15VA	15VA	5	10	10
XL8A-1600/5A-**-	1600A	30VA	15VA	15VA	5	10	10
XL8A-2000/5A-**-	2000A	30VA	15VA	15VA	5	10	10

Replace ** with required class accuracy



XL8B+ RANGE

Case size: 140 mm wide x 45 mm deep x 155 mm high

Aperture: 101 x 31 mm - 81 x 51 mm - 71 x 61 mm - Ø 86 mm

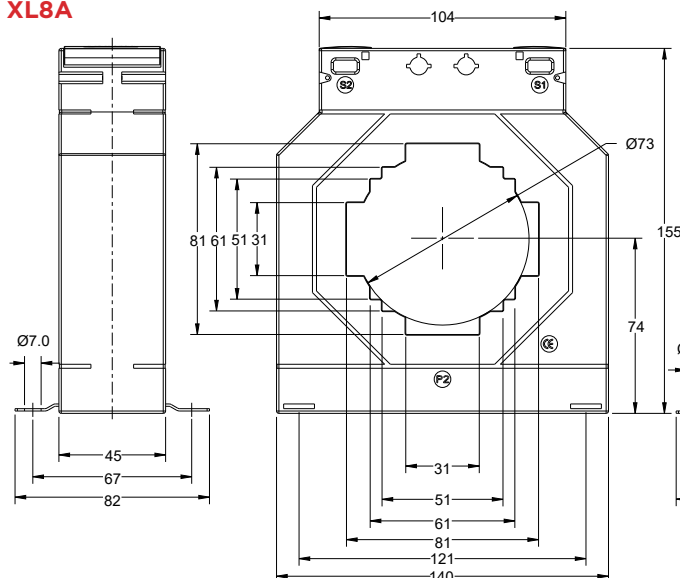
Primary Rating: 400 - 4000A

Secondary Rating: 5A as below, 1A Ratio's available change part number to end in 1A e.g. XL8B-400/1A-0.2S

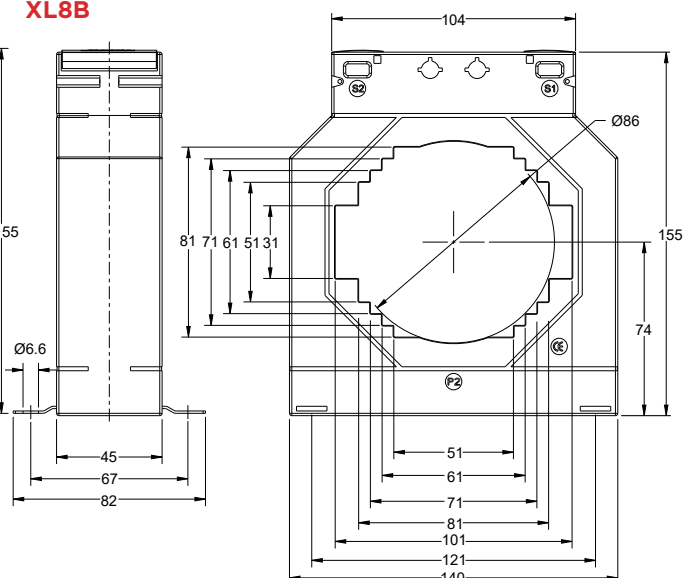
Part number	Primary current	Accuracy			Security Factor (ISF)		
		0.2	0.2S	0.5S	0.2	0.2S	0.5S
XL8B-400/5A-**-	400A	1.5VA	-	-	15	-	-
XL8B-500/5A-**-	500A	2.5VA	-	-	15	-	-
XL8B-600/5A-**-	600A	3.75VA	2.5VA	2.5VA	15	15	15
XL8B-750/5A-**-	750A	5VA	5VA	5VA	15	15	15
XL8B-800/5A-**-	800A	5VA	5VA	5VA	10	10	10
XL8B-1000/5A-**-	1000A	10VA	5VA	5VA	5	10	10
XL8B-1200/5A-**-	1200A	15VA	10VA	10VA	5	5	5
XL8B-1250/5A-**-	1250A	15VA	10VA	10VA	5	5	5
XL8B-1500/5A-**-	1500A	20VA	15VA	15VA	5	5	5
XL8B-1600/5A-**-	1600A	20VA	15VA	15VA	5	5	5
XL8B-2000/5A-**-	2000A	30VA	15VA	15VA	5	5	5
XL8B-2500/5A-**-	2500A	30VA	15VA	15VA	5	5	5
XL8B-3000/5A-**-	3000A	20VA	15VA	15VA	5	5	5
XL8B-4000/5A-**-	4000A	30VA	15VA	15VA	5	5	5

Replace ** with required class accuracy

XL8A



XL8B



Ebony Excel Plus Current Transformers



XL8C+ RANGE

Case size: 140 mm wide x 45 mm deep x 155 mm high

Aperture: 31 x 101 mm - 51 x 81 mm - 61 x 71 mm - Ø 86 mm

Primary Rating: 400 - 3000A

Secondary Rating: 5A as below, 1A Ratio's available change part number to end in 1A e.g. XL8C-400/1A-0.2

Part number	Primary current	Accuracy			Security Factor (ISF)		
		0.2	0.2S	0.5S	0.2	0.2S	0.5S
XL8C-400/5A-**	400A	1.5VA	-	-	15	-	-
XL8C-500/5A-**	500A	2.5VA	-	-	15	-	-
XL8C-600/5A-**	600A	3.75VA	2.75VA	2.75VA	15	15	15
XL8C-750/5A-**	750A	5VA	5VA	5VA	15	15	15
XL8C-800/5A-**	800A	5VA	5VA	5VA	10	10	10
XL8C-1000/5A-**	1000A	10VA	5VA	5VA	5	10	10
XL8C-1200/5A-**	1200A	15VA	10VA	10VA	5	5	5
XL8C-1250/5A-**	1250A	15VA	10VA	10VA	5	5	5
XL8C-1500/5A-**	1500A	20VA	15VA	15VA	5	5	5
XL8C-1600/5A-**	1600A	20VA	15VA	15VA	5	5	5
XL8C-2000/5A-**	2000A	30VA	15VA	15VA	5	5	5
XL8C-2500/5A-**	2500A	30VA	15VA	15VA	5	5	5
XL8C-3000/5A-**	3000A	30VA	15VA	15VA	5	5	5

Replace ** with required class accuracy



XL9A+ RANGE

Case size: 140 mm wide x 45 mm deep x 185 mm high

Aperture: 70 x 130 mm

Primary Rating: 1000 - 5000A

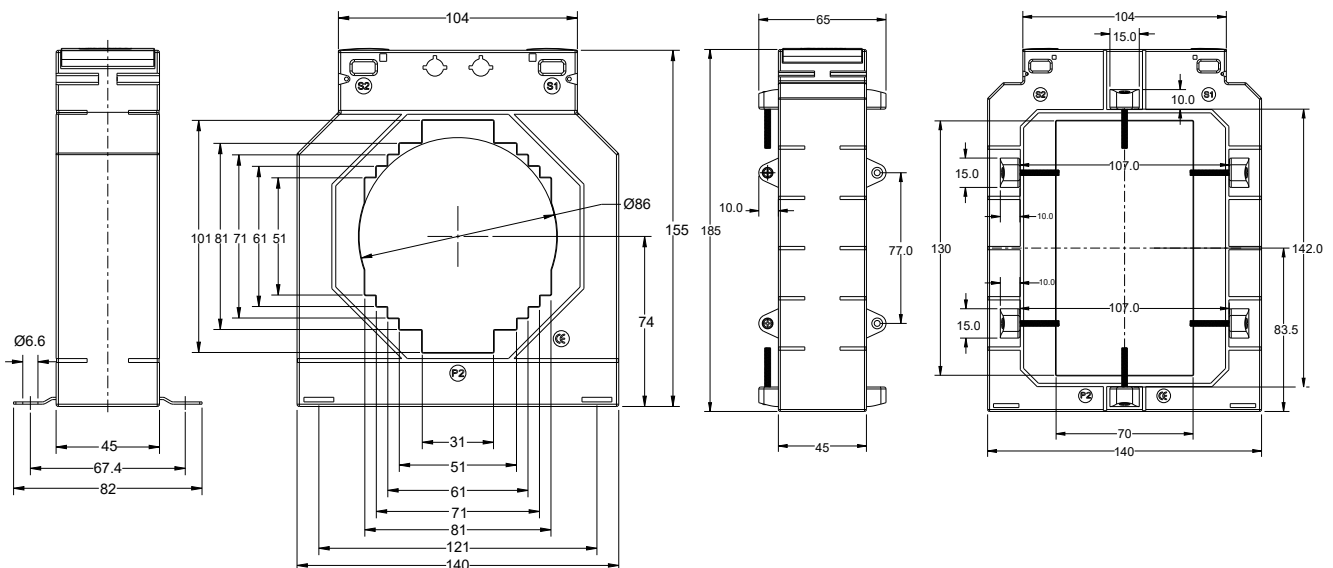
Secondary Rating: 5A as below, 1A Ratio's available change part number to end in 1A e.g. XL9A-1000/1A-0.2

Part number	Primary current	Accuracy	Security Factor (ISF)
		0.2	0.2
XL9A-1000/5A-**	1000A	5VA	10
XL9A-1200/5A-**	1200A	7.5VA	10
XL9A-1250/5A-**	1250A	7.5VA	10
XL9A-1500/5A-**	1500A	10VA	10
XL9A-1600/5A-**	1600A	10VA	10
XL9A-2000/5A-**	2000A	15VA	10
XL9A-2500/5A-**	2500A	15VA	10
XL9A-3000/5A-**	3000A	15VA	10
XL9A-3200/5A-**	3200A	15VA	10
XL9A-4000/5A-**	4000A	15VA	10
XL9A-5000/5A-**	5000A	15VA	15

Replace ** with required class accuracy

XL8C

XL9A



Ebony Excel Plus Current Transformers



XL10A+ RANGE

Case size: 225 mm wide x 50 mm deep x 206 mm high

Aperture: 125 x 93 mm

Primary Rating: 600 - 6000A

Secondary Rating: 5A as below, 1A Ratio's available change part number to end in 1A e.g. XL10A-600/1A-0.2

Part number	Primary current	Accuracy			Security Factor (ISF)		
		0.2	0.2S	0.5S	0.2	0.2S	0.5S
XL10A-600/5A-**	600A	5VA	-	-	10	-	-
XL10A-750/5A-**	750A	5VA	-	-	10	-	-
XL10A-800/5A-**	800A	5VA	-	-	10	-	-
XL10A-1000/5A-**	1000A	10VA	5VA	5VA	10	10	10
XL10A-1200/5A-**	1200A	10VA	5VA	5VA	10	10	10
XL10A-1250/5A-**	1250A	10VA	5VA	5VA	10	10	10
XL10A-1500/5A-**	1500A	10VA	7.5VA	7.5VA	10	10	10
XL10A-1600/5A-**	1600A	10VA	7.5VA	7.5VA	10	10	10
XL10A-2000/5A-**	2000A	10VA	10VA	10VA	10	10	10
XL10A-2500/5A-**	2500A	15VA	10VA	10VA	10	10	10
XL10A-3000/5A-**	3000A	15VA	10VA	10VA	10	10	10
XL10A-4000/5A-**	4000A	30VA	15VA	15VA	10	10	10
XL10A-5000/5A-**	5000A	30VA	15VA	15VA	15	15	15
XL10A-6000/5A-**	6000A	60VA	15VA	15VA	15	15	15

Replace ** with required class accuracy



XL10B+ RANGE

Case size: 225 mm wide x 50 mm deep x 206 mm high

Aperture: 167 x 66 mm

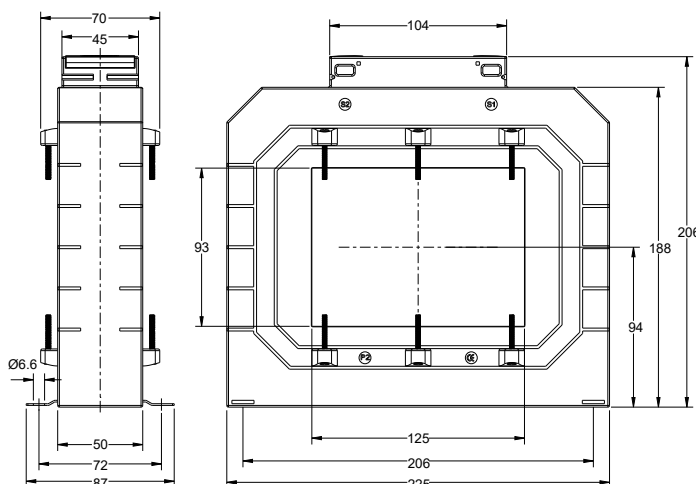
Primary Rating: 1000 - 7500A

Secondary Rating: 5A as below, 1A Ratio's available change part number to end in 1A e.g. XL10B-1000/1A-0.2

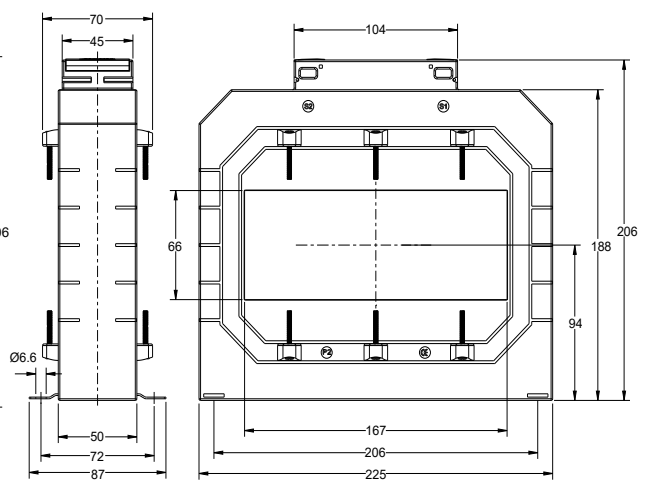
Part number	Primary current	Accuracy			Security Factor (ISF)		
		0.2	0.2S	0.5S	0.2	0.2S	0.5S
XL10B-1000/5A-**	1000A	3.75VA	-	-	10	-	-
XL10B-1200/5A-**	1200A	5VA	-	-	10	-	-
XL10B-1250/5A-**	1250A	5VA	-	-	10	-	-
XL10B-1500/5A-**	1500A	10VA	5VA	5VA	10	10	10
XL10B-1600/5A-**	1600A	10VA	5VA	5VA	10	10	10
XL10B-2000/5A-**	2000A	10VA	7.5VA	7.5VA	10	10	10
XL10B-2500/5A-**	2500A	15VA	10VA	10VA	10	10	10
XL10B-3000/5A-**	3000A	15VA	10VA	10VA	10	10	10
XL10B-4000/5A-**	4000A	15VA	10VA	10VA	10	15	15
XL10B-5000/5A-**	5000A	20VA	15VA	15VA	10	15	15
XL10B-6000/5A-**	6000A	20VA	15VA	15VA	10	15	15
XL10B-7500/5A-**	7500A	20VA	15VA	15VA	15	15	15

Replace ** with required class accuracy

XL10A



XL10B



Ebony Excel Plus Current Transformers

Ebony Excel Plus Accessories

Busbar Mounting Kits are supplied as standard with each Current Transformer.


The kit contains a selection of the below items based on what is required for each individual Current Transformer.

Busbar Mounting Kit Items			
M4 Busbar mounting Screws		Swivels	
Push in metal feet		Shoe for M4 Busbar mounting Screws	

Extra Busbar Mounting Kits are available to order, please see the below table

Current Transformer Model Type	Mounting Kit Order Code	Items in each Mounting Kit
XLOA, XLOB	XL-KIT-001	2 x Push in metal feet
XL3A, XL3B, XL3C, XL3D, XL3E XL4A, XL4B, XL4C, XL4D XL5A, XL5B, XL5C	XL-KIT-003	2 x Busbar mounting screws M4 x 45mm 2 x Push in metal feet 2 x Swivels 2 x Shoe for self tapping M4 screws
XL6A, XL6B	XL-KIT-004	2 x Busbar mounting screws M4 x 35mm 2 x Push in metal feet 2 x Shoe for self tapping M4 screws
XL7A, XL7B, XL7C	XL-KIT-005	4 x Busbar mounting screws M4 x 45mm 4 x Push in metal feet 2 x Swivels 4 x Shoe for self tapping M4 screws
XL8A, XL8B, XL8C	XL-KIT-006	4 x Busbar mounting screws M4 x 75mm 2 x Push in metal feet 4 x Swivels 4 x Shoe for self tapping M4 screws
XL9A	XL-KIT-007	1 x Busbar mounting screw M4 x 75mm 5 x Busbar mounting screws M4 x 45mm 2 x Push in metal feet 6 x Shoe for self tapping M4 screws
XL10A, XL10B	XL-KIT-008	6 x Busbar mounting screws M4 x 75mm 2 x Push in metal feet 6 x Shoe for self tapping M4 screws

DIN Rail Mounting Adapters (available separately)

Current Transformer Model Type	Order Code	
XL1A, XL1B	XL-DRBRK-1	
XL3A, XL3B, XL3C, XL3D, XL3E XL4A, XL4B, XL4C, XL4D, XL5A, XL5B, XL5C XL7A, XL7B, XL7C	XL-DRBRK-3	

Ebony Excel Plus Current Transformers

	XL0 model		XL3 model				
	XL0A+	XL0B+	XL3A+	XL3B+	XL3C+	XL3D+	XL3E+
Inside Dia Ø (mm)	-	-	22.5	-	30.5	31	28
Busbars (mm)	-	-	-	-	-	-	-
	-	-	-	20 X 10	30 X 10	40 X 10	-
	-	-	-	15 X 15	25 X 25	30 X 20	30 X 10
Height (mm)	78	98	78	78	78	78	78
Width (mm)	62	74	62	62	62	62	62
Depth (mm)	40	45	40	40	40	40	51
DIN Rail Mounting Adapter (available seperately)	✓	✓	✓	✓	✓	✓	✓
Panel or Wall Mounting	✓	✓	✓	✓	✓	✓	✓
Busbar Mounting	-	-	-	✓	✓	✓	✓
Terminal Cover	✓	✓	✓	✓	✓	✓	✓
Primary Current	1A→30A	1A→60A	100A→600A	100A→500A	100A→800A	200A→800A	100A→800A
Max screw torque setting	75	75	75	75	75	75	75

	XL4 model				XL5 model		
	XL4A+	XL4B+	XL4C+	XL4D+	XL5A+	XL5B+	XL5C+
Inside Dia Ø (mm)	20.4	26	35	41	36	46	51
Busbars (mm)	-	-	-	50 X 12.5	-	-	-
	15 x 15	30 X 15	40 X 10	40 X 20	40 X 10	50 X 10	60 X 10
	20 X 10	20 X 20	30 X 30	30 X 30	30 X 30	40 X 30	50 X 30
Height (mm)	98	98	98	98	110	110	110
Width (mm)	74	74	74	74	86	86	86
Depth (mm)	45	45	45	45	45	45	45
DIN Rail Mounting Adapter (available seperately)	✓	✓	✓	✓	✓	✓	✓
Panel or Wall Mounting	✓	✓	✓	✓	✓	✓	✓
Busbar Mounting	✓	✓	✓	✓	✓	✓	✓
Terminal Cover	✓	✓	✓	✓	✓	✓	✓
Primary Current	100A→500A	100A→800A	100A→1000A	250A→1000A	100A→1000A	200A→1250A	300A→1600A
Max screw torque setting	75	75	75	75	75	75	75

Ebony Excel Plus Current Transformers

	XL6 model		XL7 model		
	XL6A+	XL6B+	XL7A+	XL7B+	XL7C+
Inside Dia Ø (mm)	-	-	54	65	-
Busbars (mm)	-	-	60 X 10	80 X 10	101 X 56
	40 X 100	40 X 125	50 X 30	60 X 30	-
	-	-	40 X 40	50 X 50	-
Height (mm)	170	170	126	126	170
Width (mm)	99	99	104	104	130
Depth (mm)	45	45	45	45	60
DIN Rail Mounting Adapter (available seperately)	-	-	✓	✓	-
Panel or Wall Mounting	✓	✓	✓	✓	✓
Busbar Mounting	✓	✓	✓	✓	✓
Terminal Cover	✓	✓	✓	✓	✓
Primary Current	1000A→2500A	1500A→3200A	200A→1600A	400A→2000A	600→3000
Max screw torque setting	75	75	75	75	75

	XL8 model			XL9 model	XL10 model	
	XL8A+	XL8B+	XL8C+	XL9A+	XL10A+	XL10B+
Inside Dia Ø (mm)	73	86	86	-	-	-
Busbars (mm)	-	100 X 30	30 X 100	-	-	-
	80 X 30	80 X 50	50 X 80	70 X 130	125 X 90	167 X 66
	60 X 50	70 X 60	60 X 70	-	-	-
Height (mm)	155	155	155	185	206	206
Width (mm)	140	140	140	140	225	225
Depth (mm)	45	45	45	45	50	50
DIN Rail Mounting Adapter (available seperately)	-	-	-	-	-	-
Panel or Wall Mounting	✓	✓	✓	✓	✓	✓
Busbar Mounting	✓	✓	✓	✓	✓	✓
Terminal Cover	✓	✓	✓	✓	✓	✓
Primary Current	300A→2000A	400A→4000A	400A→3000A	1000A→5000A	600A→6000A	1000A→7500A
Max screw torque setting	75	75	75	75	75	75

Ebony Excel Current Transformers

Accuracy Class:- A designation assigned to a current transformer the errors of which remain within specified limit under prescribed conditions of use.

Rated Burden:- The impedance of the secondary circuit on which the accuracy requirements are based. It is usually expressed as apparent power (in VA), at the rated secondary current and at a specified power factor.

Rated Output:- The value of the apparent power (in volt-amperes at a specified power factor) which the current transformer is intended to supply to the secondary circuit at the rated secondary current and with rated burden connected to it.

Highest System Voltage:- The highest rms line to line voltage which can be sustained under normal operating conditions at any time and at any point on the system. It excludes temporary voltage variations due to fault condition and the sudden disconnection of large loads.

Rated Insulation Level:- That combination of voltage values (power frequency and lightning impulse, or where applicable, lightning and switching impulse) which characterizes the insulation of a transformer with regard to its capability to withstand by dielectric stresses. For low voltage transformer the test voltage 4kV, at power-frequency, applied during 1 minute.

Rated Short Time Thermal Current (I_{th}):- The RMS value of the primary current which the current transformer will withstand for a rated time, with their secondary winding short circuits without suffering harmful effects.

Rated Dynamic Current (I_{dyn}):- The peak value of the primary current which a current transformer will withstand, without being damaged electrically or mechanically by the resulting electromagnetic forces, the secondary winding being short-circuited.

Rated Continuous Thermal Current:- The value of current which can be permitted to flow continuously in the primary winding, the secondary windings being connected to the rated burdens, without the temperature rise exceeding the specified values.

Instrument Security Factor (ISF):- Instrument Security Factor is the ratio of Instrument Limit Primary Current to the rated Primary Current. Instrument Limit Current of a metering Current Transformer is the maximum value of primary current beyond which Current Transformer core becomes saturated. Instrument Security Factor of CT is the significant factor for choosing the metering Instruments which to be connected to the secondary of the CT. Security or Safety of the measuring unit is better, if ISF is low.

TE Connectivity Ltd. is a \$13 billion global technology and manufacturing leader creating a safer, sustainable, productive, and connected future. For more than 75 years, our connectivity and sensor solutions, proven in the harshest environments, have enabled advancements in transportation, industrial applications, medical technology, energy, data communications, and the home. With 78,000 employees, including more than 7,000 engineers, working alongside customers in nearly 150 countries, TE ensures that EVERY CONNECTION COUNTS. - www.TE.com.

Generation

- Conventional Power
- Nuclear Power
- Wind/Solar
- Hydro-electric

Transmission & Distribution

- Substation
- Underground
- Overhead
- Street Lighting

Industry

- Mining
- Petrochemical
- Railway
- Shipbuilding

WHEREVER ELECTRICITY FLOWS, YOU'LL FIND TE ENERGY



te.com/energy

FOR MORE INFORMATION:

TE Technical Support Centres

- UK: +44 1376 509 401
- USA: +1 800 327 6996
- Australia: +61 1300 656 090
- Singapore: +65 6590 5151
- Hong Kong: +852 2790 9609

crompton-instruments.com

© 2020 TE Connectivity Ltd. family of companies. All Rights Reserved. EPP-2044-01/20

TE Connectivity, the TE connectivity (logo) and Crompton Instruments are trademarks of the TE Connectivity Ltd. family of companies. Other logos, product and Company names mentioned herein may be trademarks of their respective owners. While TE has made every reasonable effort to ensure the accuracy of the information in this brochure, TE does not guarantee that it is error-free, nor does TE make any other representation, warranty or guarantee that the information is accurate, correct, reliable or current. TE reserves the right to make any adjustments to the information contained herein at any time without notice. TE expressly disclaims all implied warranties regarding the information contained herein, including, but not limited to, any implied warranties of merchantability or fitness for a particular purpose. The dimensions in this brochure are for reference purposes only and are subject to change without notice. Specifications are subject to change without notice. Consult TE for the latest dimensions and design specifications.

