

Conductor network

Conductor clamps



Square tape clamp

Part no.	Conductor size (mm)	Conductor material	Weight each (kg)
CT105-H	25 x 3	Copper	0.12
CT110-H	25 x 6	Copper	0.30
CT115-H	50 x 6	Copper	0.60
CT005-H	25 x 3	Aluminium	0.06
CT010-H	25 x 6	Aluminium	0.17

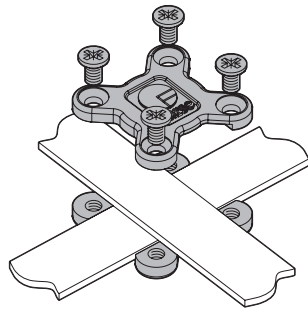
- Manufactured from high quality alloys of either copper or aluminium. Simple to install, providing an effective low resistance connection between overlapping tapes to allow cross, tee, through and right angle joints to be formed
- Fix using countersunk wood screws 1½" No. 10 or M6 (Part no. SW005 or SW105) and wall plugs (Part no. PS305)
- Tightening torque 5 Nm

5

Standards

IEC/BS EN 62561-1 Class H

UL96 (CT105-H, CT110-H, CT115-H)



Crossover tape clamp

Part no.	Conductor size (mm)	Conductor material	Weight each (kg)
CX105-H	25 x 3	Copper	0.09
CX005-H	25 x 3	Aluminium	0.03

- Manufactured from high quality alloys of either copper or aluminium. Simple to install, providing an effective low resistance connection between overlapping tapes to allow cross joints to be formed
- Fix using countersunk wood screws 1½" No. 10 or M6 (Part no. SW005 or SW105) and wall plugs (Part no. PS305)
- Tightening torque 5 Nm

Standards

IEC/BS EN 62561-1 Class H

