



Palazzoli
GROUP



Metal Products **RANGE**

**PD METAL CLAD, SWITCHED INTERLOCKS,
JUNCTION BOXES & LIGHTING**

Lewden Metal Products, with a history of expertise in Metal Die-casting and commitment to quality, reliability and 100% customer satisfaction, has been supplying electrical equipment to the industry for over 60 years. Its partnership with Palazzoli, a well-established Italian electrical products manufacturer with a 100 year history in the Italian market, has broadened the range of Lewden's product offer to its UK and Export customers.

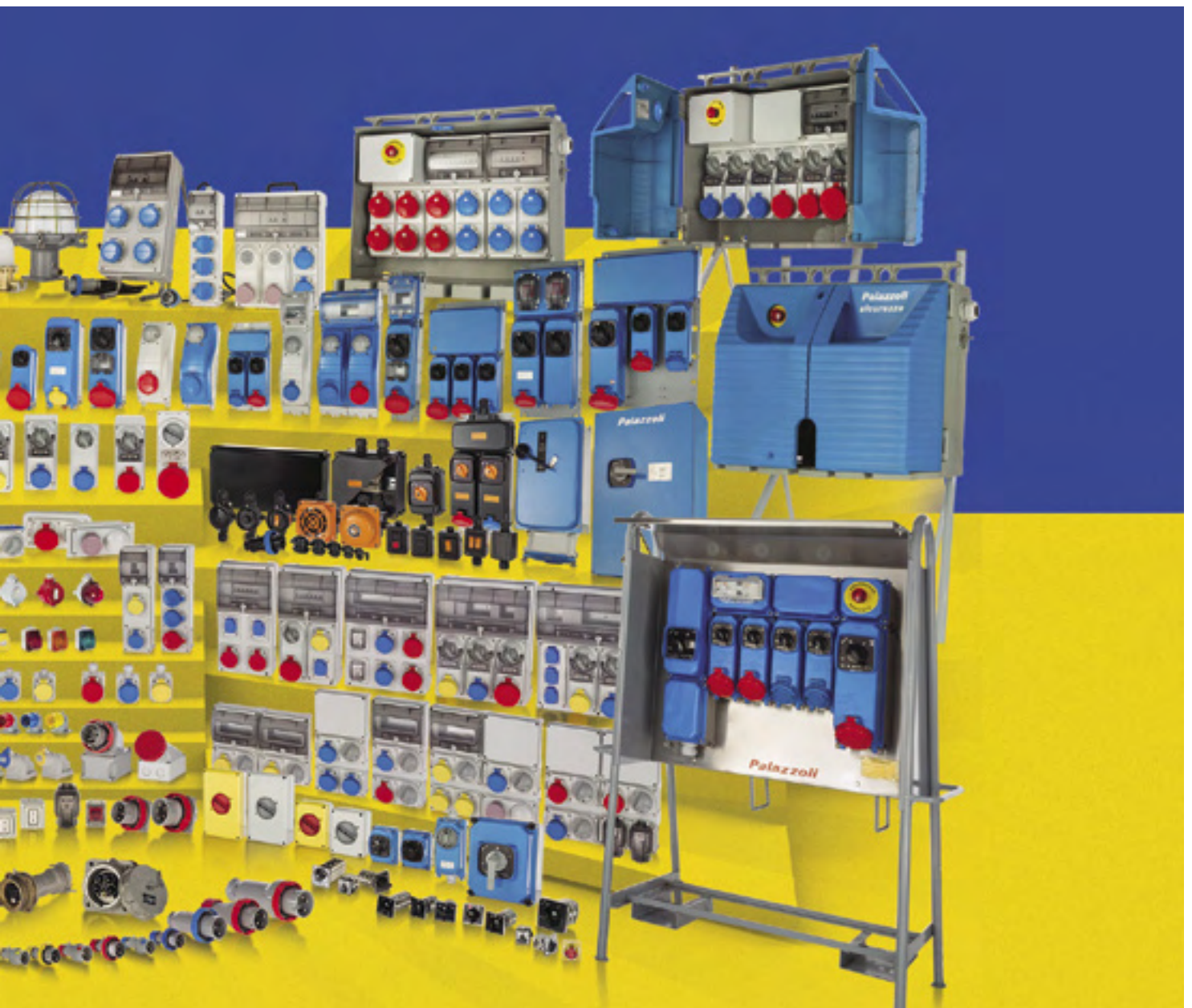


We at Lewden Metal Products are fully committed to Quality and our products are compliant with the requirements of the latest Quality Management System to BS EN ISO 9001:2008 for which we have been awarded the certificate and registered FS 37316 by our auditor British Standards Institute (BSI).



Palazzoli

— excellence —
FROM ITALY



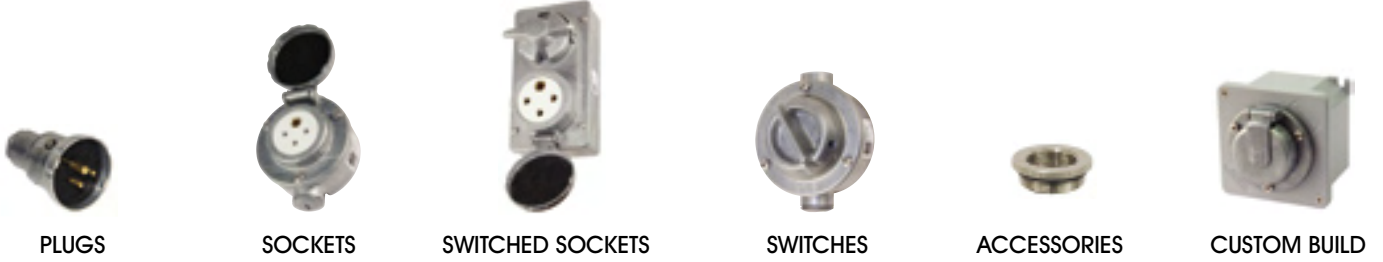


The Lewden Commitment is to continue to invest in improving its Quality, Service and Reliability for our customer partners, and to provide a wider choice of Products and Services to our chosen Industry Sectors.

OUR GUARANTEE TO YOU...

“we aim to be the best in quality and service”





PD SERIES

WEATHERTIGHT METAL CLAD RANGE



Range of robust, reliable, traditional Lewden metal products suitable for tunnels and heavy duty applications particularly in areas with high temperature variations.



The metal clad range of products are designed and manufactured to withstand the most arduous of conditions and operational life. The enclosures are constructed in zinc die-cast material and the range consists of 3, 4 and 5 pin plugs, sockets and switch sockets covering 10A, 15A and 30A ratings, the 15A 3pin being in BS 546 and the others in Walsall or Special pin configurations. Adaptor is available for 15A Plugs to convert to M25 threaded entry.

The switch range covers 10A, 20A and Push Button in round enclosures and a square enclosure for 10A intermediate and 32A switches and rectangular for 2 gang switch arrangements in configurations of double pole 1Way and 2Way arrangements. All switches are to IEC 60947-3 Standard AC22A rating, with exception of the Push Button Switch which is to IEC 60947-5.

13A Plugs & Sockets are manufactured with pin and socket configurations in accordance with BS 1363 being BSI Kitemark™ tested and approved – BSI Lic. No. KM38043 & Mod. Doc.1097.

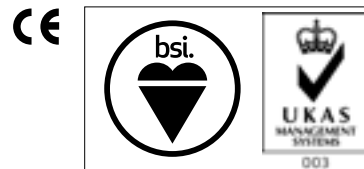
The product enclosures are available in their natural finish with 2x M25 threaded cable entries allowing the use of an adaptor i.e. M25 to M20, direct conduit or flexible conduit connection.

Rated operating current for rotary switches			10A	20A	32A
Thermal current Ith		A	10	20	32
AC21A	380-440V	A	10	20	32
	220-240V	A	10	20	32
AC22A	380-440V	A	10	20	32
	220-240V	A	10	20	32

Terminal Specifications and max. cable entry for Plugs & Sockets			10A	13A	15A	30A
Max. entry Ø	mm	P	4.0	3.5	4.0	6.0
		S	4.0	4.5	4.0	6.0
Max. core sheath Ø	mm	P	5.5	4.5	4.0	5.9
		S	3.9	5.0	4.0	6.2
Terminal screw torque	Nm	P	0.8	0.6	1.2	2.0
		S	0.8	1.2	1.2	2.0

CONFORMITY TO STANDARDS

	BS 546	15A
	BS 1363	13A
	IEC 60947-3	Switches
	IEC 60947-5-1	Button Switch
	BS EN 60529	IP Rating
Body material	Zinc die-cast	
Surface treatment	Vibro finish	
Painting	None	
Protection rating	IP66	
Colour	Natural	
Resistance	≥IK06	
Rated current	13A	Rectangle pins
	10A, 15A, 30A	Round pins
Rated voltage	10A, 20A, 32A	Rotary Switches
	6A	Push Button Switch
Rated frequency	230-400V (EU harmonised)	
Rated insulation voltage	50-60Hz	
Insulation class	440V	
Storage temperature	Class I	
Operating temperature	-30°C to +70°C	
	-25°C to +50°C	

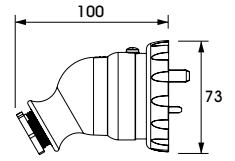


13A Plug & Socket only
Approved by BSI
License No. KM:38043

13A PLUG METAL RANGE IP66



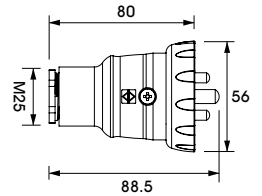
CURRENT	VOLTAGE	3 PINS BS 1363
13A	230V	717112



10A PLUGS METAL RANGE IP66



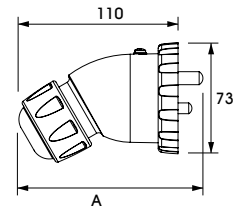
CURRENT	VOLTAGE	3 PINS Walsall	4 PINS Walsall	5 PINS Special
10A	230V	717122	-	-
	400V	-	717123	717124



15A PLUGS METAL RANGE IP66



CURRENT	VOLTAGE	3 PINS BS 546	4 PINS Walsall B	5 PINS Special
15A	230V	717132	-	-
	400V	-	717133	717134

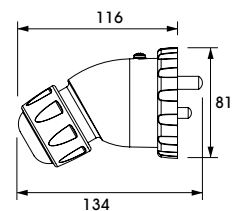


PINS	A
3	131
4	126
5	120

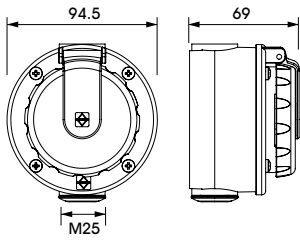
30A PLUGS METAL RANGE IP66



CURRENT	VOLTAGE	4 PINS Special
30A	400V	717153



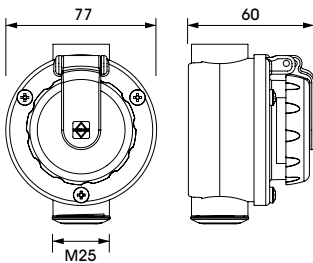
13A SOCKETS IP66



CURRENT	VOLTAGE	3 PINS BS 1363
13A	230V	717212



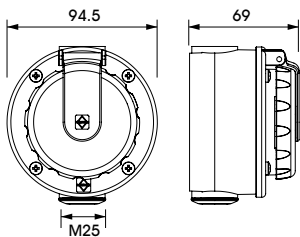
10A SOCKETS IP66



CURRENT	VOLTAGE	3 PINS Walsall	4 PINS Walsall B	5 PINS Special
10A	230V	717222	-	-
	400V	-	717223	717224



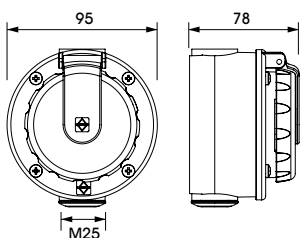
15A SOCKETS IP66



CURRENT	VOLTAGE	3 PINS BS 546	4 PINS Walsall B	5 PINS Special
15A	230V	717232	-	-
	400V	-	717233	717234



30A SOCKETS IP66



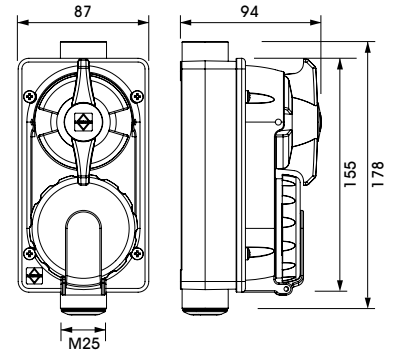
CURRENT	VOLTAGE	4 PINS Special
30A	400V	717253



13A /15A SWITCHED SOCKET METAL RANGE IP66



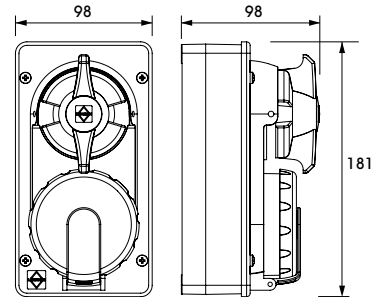
CURRENT	VOLTAGE	3 PINS BS 546	4 PINS Walsall B
13A	230V	717412	-
15A	400V	-	717433



30A SWITCHED SOCKET IP66



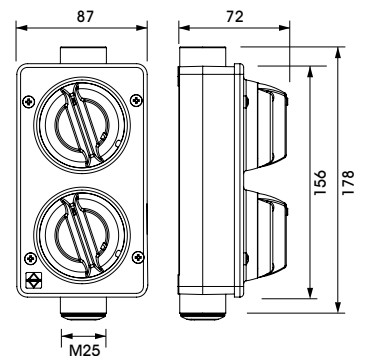
CURRENT	VOLTAGE	4 PINS Special
30A	400V	717453



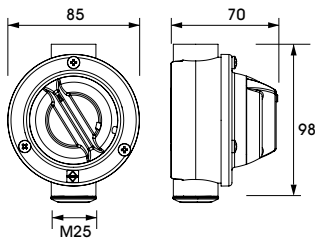
10A / 20A / 32A TWO GANG SWITCH METAL RANGE IP66



CURRENT	VOLTAGE	ONE WAY	TWO WAY
10A	230V	717721	717722
20A		717741	717742
32A		717761	-



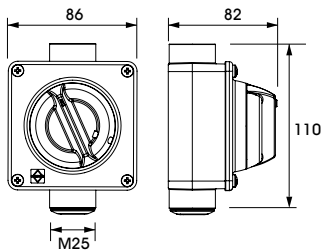
10A / 20A ROUND SWITCH METAL RANGE IP66



CURRENT	VOLTAGE	ONE WAY	TWO WAY
10A	230V	717621	717622
20A		717642	717641



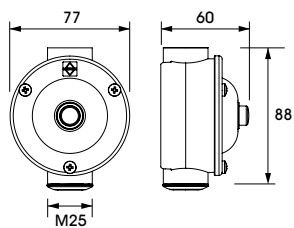
32A SQUARE SWITCH METAL RANGE IP66



CURRENT	VOLTAGE	ONE WAY	INTERMEDIATE
10A	230V	-	717623
32A		717661	-



6A PUSH BELL IP66



CURRENT	VOLTAGE	
6A	230V	717921

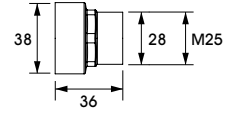


CONDUIT ADAPTER

Only for 15A plugs



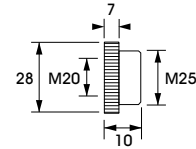
PRODUCT CODE
717980



METAL REDUCER M25 - M20 WITH O RING



PRODUCT CODE
717981

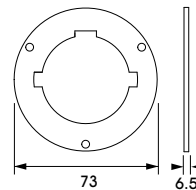


GASKET

For panel mounting 10A Sockets



PRODUCT CODE
717982

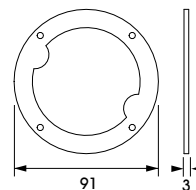


GASKET

For panel mounting 13A / 15A Sockets



PRODUCT CODE
717983



Bespoke solutions available on request

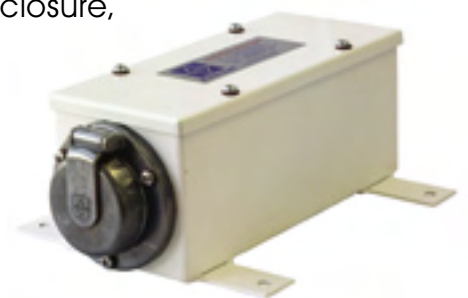
Metal clad padlockable on / off switch with 360 degree power on indicator



10A IP66 metal clad socket outlet, with larger than standard un-drilled surface mounting box



Metal clad 10A socket outlet mounted on a custom steel enclosure, designed for use in a restricted space with specified fixing arrangement



15A Metal clad IP66 socket outlet with large terminal junction box for looping of supply cables



INTERLOCKED SOCKETS

IEC 60309



Suitable for steel works, canning and deep freeze industries, foundries, blast furnaces, carpentries and, generally, areas with presence of highly abrasive substances.



ALUPRES products in aluminium alloy are passivized with fluoro-zirconium and powder painting surface treatment to improve the characteristics of resistance to impacts (30J) and chemical agents.

The ALUPRES "heart" is an isolator switch with the AC3-AC23A category at rated current that allows a safe operation even with highly inductive loads.

The fuse-holder base in ceramic and the interlock system in steel, which are tightly fixed on the bottom of the socket, are the best materials for the maximum safety.

The operation is padlockable in positions 0 and 1 to avoid that non-authorized personnel can activate or deactivate.

ALUPRES Series low voltage switched sockets with mechanical or electrical interlock are a range of products in aluminium alloy for heavy duty uses, in compliance with the IEC/EN 60309-1, IEC/EN 60309-2 and IEC/EN 60309-4 standards.

The system contains versions from 16A up to 250A, with or without fuses, with MCB integrated or with an EN 50022 rail that can be fitted with modular devices. All the sockets have an IP67 protection rating and can be combined in compositions thanks to the dedicated boxes with blind cover or transparent window.

The versions above 32A are equipped with the Easy Contact receptacles to allow the best performance in time for the electric contact and to facilitate connection and disconnection operations.

The circuit protection, such as the fuses located in ceramic holder base and the MCBs fixed on EN 50022 rail are tightly fixed on the bottom of the socket and accessible by opening the frontal lid.

The casing is treated with ecological anticorrosion passivation with fluoro-zirconium and finished with hot polymerized scratch resistant non-toxic polyester painting.

The interlock system is made of steel and the isolator switch is certified with the AC3-AC23A category at rated current.

Rated operating current for isolator switches		16A	32A	63A	125A	250A	
Thermal current Ith	A	16	32	63	125	250	
AC21A	415V	A	16	32	63	125	200
	500V						
AC22A	415V	A	16	32	63	125	200
	500V						
AC23A	230V	A	16	32	63	125	200
	400V						
	500V						
AC23A	230V	kW	4.5	8.5	20	30	30
	400V		7.5	15	34	52	52
	500V		8.5	17	44	64	64
AC3	230V	kW	4.5	8.5	18	30	30
	400V		7.5	15	31	52	52
	500V		8.5	17	40	64	64

Terminal specification	16A	32A	63A	125A	250A
Entry Ø	mm ²		1-10	6-16	16-70
Entry sections	Nm		2		3

Resistance to chemical agents

WATER	SALINE ATMOSPHERES	ACIDS		CHEMICAL BASES		SOLVENTS			
		CONCENTRATED	DILUTED	CONCENTRATED	DILUTED	ALCOHOL	ACETONE	PERCHLOROETHYLENE	BENZENE
↑	↑	↓	→	→	↑	↑	↑	↑	↑
OILS		FATS		AMMONIA	OXIDIZERS	INORGANIC SALTS	GASOLINE	DETERGENTS	U.V. RAYS
MINERAL	VEGETABLE	ANIMAL	SYNTETHIC						
↑	↑	↑	↑	↑	→	↑	↑	↑	↑

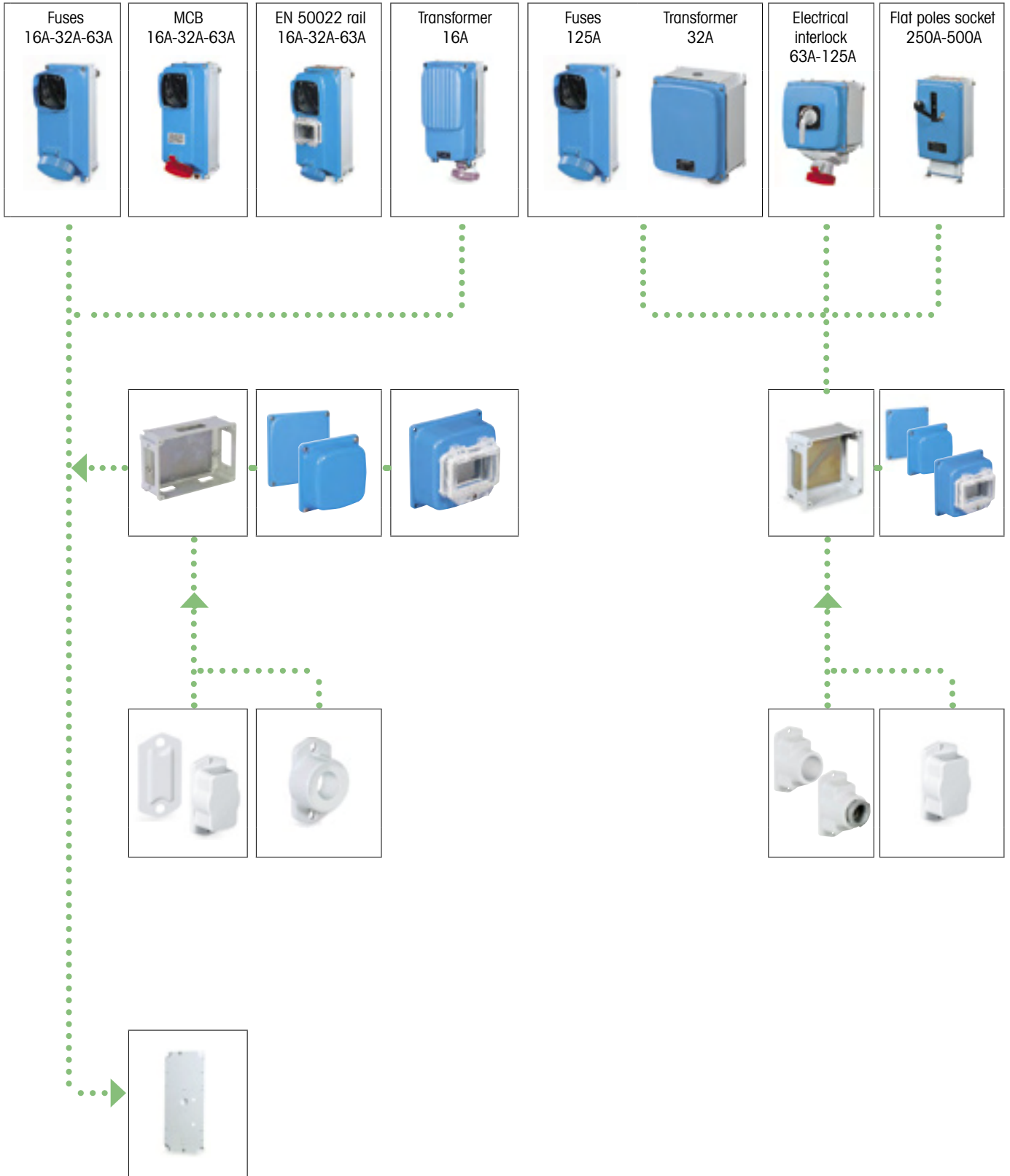
Legend:
 ↑ high resistance
 → partial resistance
 ↓ low resistance


CONFORMITY TO STANDARDS



IEC/EN 60309-1
 IEC/EN 60309-2
 IEC/EN 60309-4
 IEC/EN 60947-3

Body material	Aluminium alloy
Surface treatment	Passivation with fluoro-zirconium
Painting	Hot polymerized non-toxic polyester
Protection rating (IP as per IEC/EN 60529)	IP67 (version 16A/32A) IP55 (version 63A ÷ 500A)
Colour	RAL5012 (cover) RAL7035 (base)
Resistance to impacts (IK as per IEC/EN 62262)	IK10
Rated current	16A - 32A - 63A 125A - 250A - 500A
Rated voltage	24-690V
Rated frequency	50-60Hz
Rated insulation voltage	690V
Insulation class	Class I
Storage temperature	-30°C to +70°C
Operating temperature	-25°C to +50°C

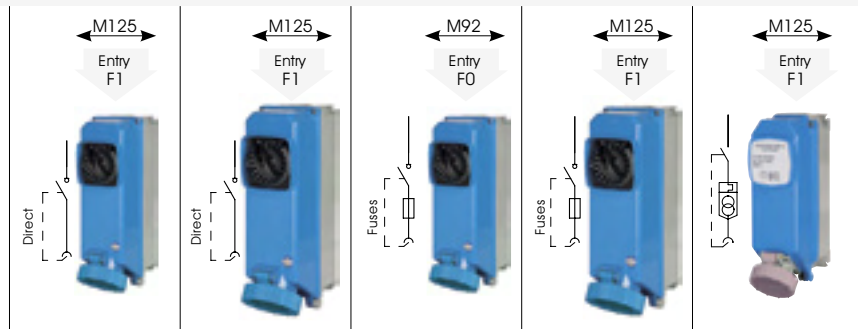




Fast Diazed fuses - 500V

Current (A)	Fuse type	
16	E16 (NDz)	348117
32	E33 (DIII)	348326
63		348333

MOST USED INTERLOCKED SOCKETS



CURRENT	RATED VOLTAGE	PINS					
16A	230V	3	466126	-	472333	-	-
	400V	4	466136	-	472443	-	-
		5	466146	-	472453	-	-
32A	230V	3	460226	-	-	472336	-
	400V	4	460236	-	-	472446	-
		5	460246	-	-	472456	-
63A	400V	4	-	460336	-	472447	-
		5	-	460346	-	472457	-
16A	24V	2P 230V	-	-	-	-	471812

COMBINATIONS

IP67 steel closing flange

Window	Projection	
F1	5	540091
F2	5.5	540032

MOUNTING PLATE 532876 (M92 or M125)
MOUNTING PLATE 532826 (M92)
MOUNTING PLATE 532836 (M125 or M92)
MOUNTING PLATE 532856 (M125)



16A / 32A / 63A WALL MOUNTING SWITCHED SOCKETS IP67

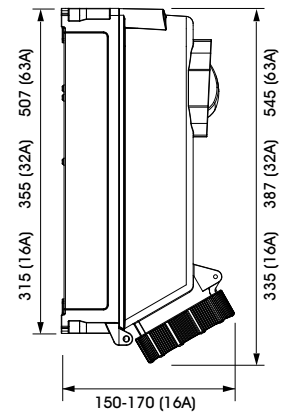
Module 125mm



- Aluminium alloy with mechanical interlock
- Handle can be padlocked

CURRENT	FREQUENCY	VOLTAGE	3 PINS	h	4 PINS	h	5 PINS	h
16A	50-60Hz	230V	466126	6	-	-	-	-
		400V	-	-	466136	6	466146	6
32A		230V	460226	6	-	-	-	-
63A		400V	-	-	460236	6	460246	6
		-	-	-	460336	6	460346	6

F1 Entry



125A WALL MOUNTING SWITCHED SOCKETS IP67

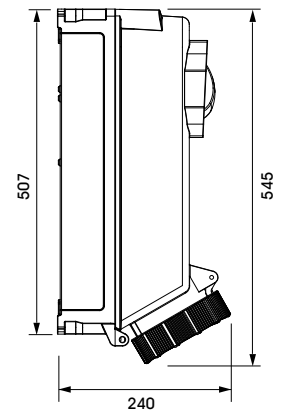
Module 185mm



- Aluminium alloy with mechanical interlock
- Handle can be padlocked

CURRENT	FREQUENCY	VOLTAGE	3 PINS	h	4 PINS	h	5 PINS	h
125A	50-60Hz	400V	-	-	460436	6	460446	6

F5 Entry



16A / 32A WALL MOUNTING SWITCHED SOCKETS WITH MCB IP67

Module 125mm



- Aluminium alloy with mechanical interlock and MCB
- Handle can be padlocked
- Voltage indicator light

CURRENT	FREQUENCY	VOLTAGE	3 PINS	h	4 PINS	h	5 PINS	h
16A	50-60Hz	110V	474633	4	474643	4	474653	4
		230V	474733	6	474743	9	474753	9
		400V	474833	9	474843	6	474853	6
	60Hz	-	-	474863	11	474133	11	

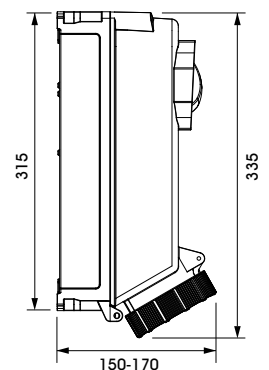
F1 Entry
MCB 4.5kA CURVE C

ⁱ 440-460V

CURRENT	FREQUENCY	VOLTAGE	3 PINS	h	4 PINS	h	5 PINS	h
32A	50-60Hz	110V	474236	4	474246	4	474653	4
		230V	474336	6	474346	9	474753	9
		400V	474436	9	474446	6	474853	6
	60Hz	-	-	474466	11	474133	11	
	50-60Hz	-	-	474486	3	474586	3	

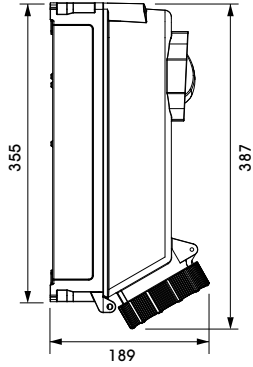
F1 Entry
MCB 6kA CURVE C

ⁱ 440-460V



63A WALL MOUNTING SWITCHED SOCKETS WITH MCB IP67

- Aluminium alloy with mechanical interlock and MCB
- Handle can be padlocked
- Voltage indicator light



CURRENT	FREQUENCY	VOLTAGE	3 PINS	h	4 PINS	h	5 PINS	h
63A	50-60Hz	110V	474237	4	474247	4	474657	4
		230V	474337	6	474347	9	474357	9
	60Hz	400V	474437	9	474447	6	474457	6
			-	-	474387	11	474397	11

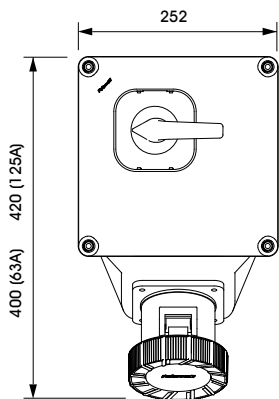
F1 Entry i 440-460V
MCB 10kA CURVE C; Module 125mm

Module 125mm



63A / 125A WALL MOUNTING SWITCHED SOCKETS WITH ELECTRICAL INTERLOCK & MCB IP55

- Aluminium alloy with electrical interlock and MCB
- Handle can be padlocked
- Voltage indicator light



CURRENT	FREQUENCY	VOLTAGE	3 PINS	h	4 PINS	h	5 PINS	h
63A	50-60Hz	400V	-	-	475336	6	475346	6
		500V	-	-	475337	7	475347	7
125A	50-60Hz	400V	-	-	475436	6	475446	6
		500V	-	-	475437	7	475447	7

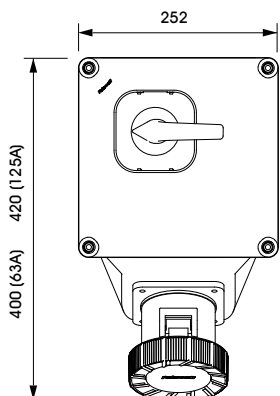
F5 Entry, Module 250mm

Module 250mm



63A / 125A WALL MOUNTING SWITCHED SOCKETS WITH ELECTRICAL INTERLOCK, MCB & RCD IP55

- Aluminium alloy with electrical interlock, MCB and RCD
- Handle can be padlocked
- Voltage indicator light



CURRENT	FREQUENCY	VOLTAGE	3 PINS	h	4 PINS	h	5 PINS	h
63A	50-60Hz	400V	-	-	473336	6	473346	6
		500V	-	-	473337	7	473347	7
125A	50-60Hz	400V	-	-	473436	6	473446	6
		500V	-	-	473437	7	473447	7

F5 Entry, Module 250mm

Module 250mm



63A WALL MOUNTING SWITCHED SOCKETS WITH MCB IP67

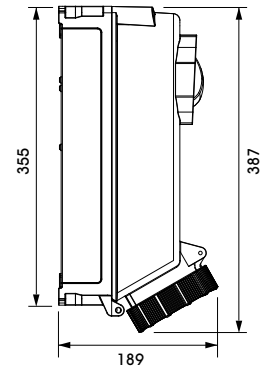
Module 125mm



- Aluminium alloy with mechanical interlock and MCB
- Handle can be padlocked
- Voltage indicator light

CURRENT	FREQUENCY	VOLTAGE	3 PINS	h	4 PINS	h	5 PINS	h
63A	50-60Hz	110V	474237	4	474247	4	474657	4
		230V	474337	6	474347	9	474357	9
		400V	474437	9	474447	6	474457	6
	60Hz	-	-	474387	11	474397	11	

F1 Entry i 440-460V
MCB 10kA CURVE C



63A / 125A WALL MOUNTING SWITCHED SOCKETS WITH ELECTRICAL INTERLOCK & MCB IP55

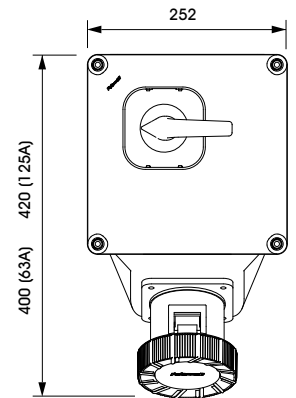
Module 250mm



- Aluminium alloy with electrical interlock and MCB
- Handle can be padlocked
- Voltage indicator light

CURRENT	FREQUENCY	VOLTAGE	3 PINS	h	4 PINS	h	5 PINS	h
63A	50-60Hz	400V	-	-	475336	6	475346	6
		500V	-	-	475337	7	475347	7
125A		400V	-	-	475436	6	475446	6
		500V	-	-	475437	7	475447	7

F5 Entry



63A / 125A WALL MOUNTING SWITCHED SOCKETS WITH ELECTRICAL INTERLOCK, MCB & RCD IP55

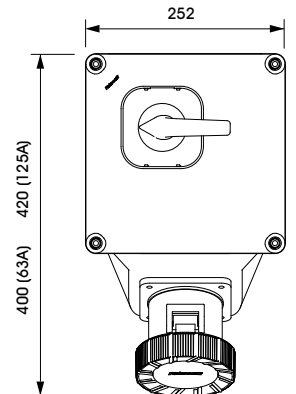
Module 250mm



- Aluminium alloy with electrical interlock, MCB and RCD
- Handle can be padlocked
- Voltage indicator light

CURRENT	FREQUENCY	VOLTAGE	3 PINS	h	4 PINS	h	5 PINS	h
63A	50-60Hz	400V	-	-	473336	6	473346	6
		500V	-	-	473337	7	473347	7
125A		400V	-	-	473436	6	473446	6
		500V	-	-	473437	7	473447	7

F5 Entry



ELECTRICALLY INTERLOCKED SOCKET PROTECTION SPECIFICATION

MCB

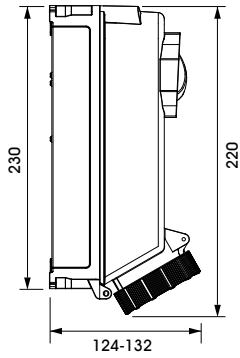
Rated impulse seal voltage Ui	500V
Rated impulse-withstand voltage Uimp	800V
Breaking capacity Icu (400V)	18kA
Breaking capacity Icu (500V)	8kA
Mechanical duration	25,000 operations
Electrical duration	8,000 operations
Overload protection regulation	0.7-1 x In
Short circuit protection	10 x In
Neutral protection	100%

RCD

Protection type	A - AC
Operating voltage	85-500V
Operating frequency	45-66Hz
Failure frequency	50-60Hz
Intervention threshold regulation	0.03A - 0.1A - 0.3A - 0.5A - 1A - 3A
Intervention time	instantaneous

16A WALL MOUNTING SWITCHED SOCKETS WITH FUSE HOLDER IP67

- Aluminium alloy with mechanical interlock and fuse holder
- Handle can be padlocked
- Fuses not included



CURRENT	FREQUENCY	VOLTAGE	3 PINS	h	4 PINS	h	5 PINS	h
16A	50-60Hz	110V	472233	4	472243	4	472253	4
		230V	472333	6	472343	9	472353	9
		400V	473433	9	472443	6	472453	6
	60Hz	400V	-	-	472463	11	472533	11
	50-60Hz	500V	-	-	472543	7	472553	7
	100-300Hz	>50V	472263	10	472363	10	472283	10
	>300-500Hz	>50V	472273	2	472373	2	472293	2
	50-60Hz	>50V*	472323	12	472473	12	-	-
DC	>50V*	472383	3	-	-	-	-	

F0 Entry*

E16 NDZ Fuses

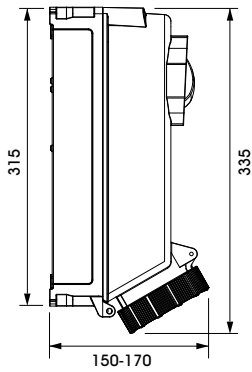
* For insulation transformer

Module 92mm



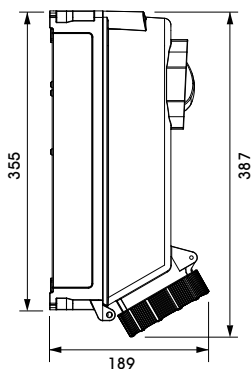
32A / 63A WALL MOUNTING SWITCHED SOCKETS WITH FUSE HOLDER IP67

- Aluminium alloy with mechanical interlock and fuse holder
- Handle can be padlocked
- Fuses not included



CURRENT	FREQUENCY	VOLTAGE	3 PINS	h	4 PINS	h	5 PINS	h
32A	50-60Hz	110V	472236	4	472246	4	472256	4
		230V	472336	6	472346	9	472356	9
		400V	472436	9	472443	6	472453	6
	60Hz	400V	-	-	ⁱ 472466	11	ⁱ 472536	11
	50-60Hz	400V	-	-	ⁱⁱ 472486	3	ⁱⁱ 472586	3
	50-60Hz	500V	-	-	472560	5	472561	5
	-	500V	-	-	-	-	472556	7
	100-300Hz	>50V	472266	10	472116	10	472286	10
>300-500Hz	>50V	472276	2	472126	2	472296	2	
50-60Hz	>50V*	472326	12	472496	12	-	-	
DC	>50V*	472386	3	-	-	-	-	

Module 125mm



CURRENT	FREQUENCY	VOLTAGE	3 PINS	h	4 PINS	h	5 PINS	h
63A	50-60Hz	110V	472237	4	472247	4	472257	4
		230V	472337	6	472347	9	472357	9
		400V	472437	9	472447	6	472457	6
	60Hz	400V	-	-	ⁱⁱ 472387	11	ⁱⁱ 472397	11
	50-60Hz	500V	-	-	472558	5	472559	5
	-	500V	-	-	472547	7	472557	7
	50-60Hz	>50V*	472327	12	472367	12	-	-
	DC	>50V*	ⁱⁱⁱ 472377	3	-	-	-	-

F1 Entry*

E33 DIII Fuses

* For insulation transformer

ⁱ 440-460V

ⁱⁱ 380-440V

ⁱⁱⁱ 50-250V



125A WALL MOUNTING SWITCHED SOCKETS WITH FUSE HOLDER IP67

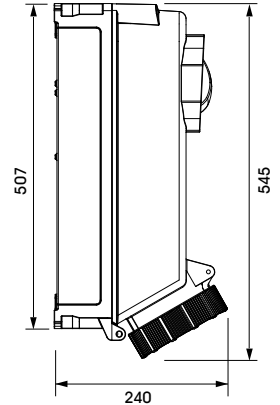
Module 185mm



- Aluminium alloy with mechanical interlock and fuse holder
- Handle can be padlocked
- Fuses not included

CURRENT	FREQUENCY	VOLTAGE	4 PINS	h	5 PINS	h
125A	50-60Hz	110V	472248	4	472258	4
		230V	472384	9	472385	9
		400V	472418	6	472428	6
	60Hz	472388	11	472398	11	
	50-60Hz	500V	472529	5	472530	5
			472518	7	472528	7

F3 Entry
ACR GR00 Fuses i 440-460V



250A / 500A WALL MOUNTING SWITCHED SOCKETS WITH FUSE HOLDER - FLAT POLES IP55

Module 315-630



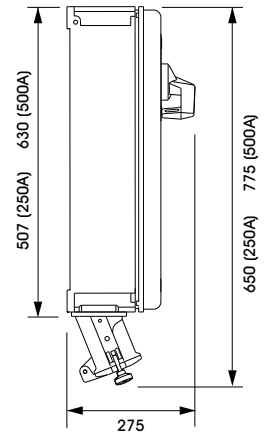
- Aluminium alloy with mechanical interlock and fuse holder – flat poles
- Equipped with gaskets and screws for fastening accessories
- Internal and external earth screws
- Fuses not included

CURRENT	FREQUENCY	VOLTAGE	4 PINS
250A	50-60Hz	500V	422039

F5 Entry
ACR GR1 Fuses

CURRENT	FREQUENCY	VOLTAGE	4 PINS
500A	50-60Hz	500V	4220709

F6 Entry
ACR GR3 Fuses



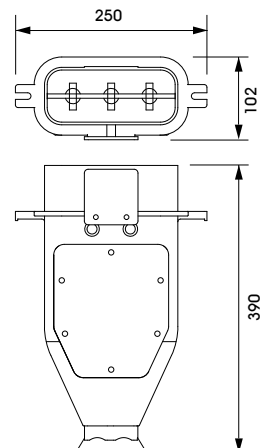
250A PLUG IP55

- Aluminium alloy with cable gland - flat poles



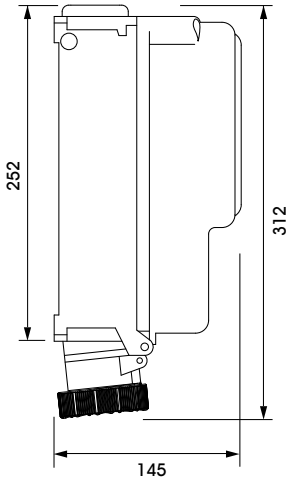
CURRENT	FREQUENCY	VOLTAGE	4 PINS
250A	50-60Hz	500V	427019

F5 Entry
ACR GR1 Fuses



16A WALL MOUNTING SOCKETS WITH SAFETY TRANSFORMER IP67

- Aluminium alloy with safety transformer (SELV), 50-60Hz
- Continuous duty
- Class II safety transformer enabled by the plug activated microswitch



CURRENT	FREQUENCY	POWER (VA)	VOLTAGE	2 POLES
16A	50-60Hz	144VA	230/24V	471812
			400/24V	471832

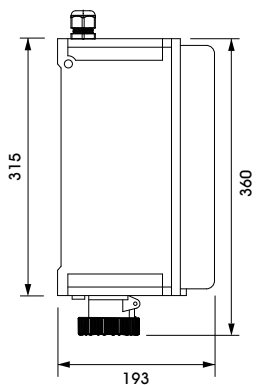
F1 Entry

Module 125mm



32A WALL MOUNTING SOCKETS WITH SAFETY TRANSFORMER IP67

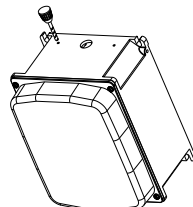
- Aluminium alloy with safety transformer (SELV), 50-60Hz
- Continuous duty
- Class II safety transformer enabled by the plug activated microswitch



CURRENT	FREQUENCY	POWER (VA)	VOLTAGE	2 POLES
32A	50-60Hz	144VA	230/24V	471818
			400/24V	471838

F1 Entry

Module 250mm



Equipment included:
Cable glands and screwcaps M2

Features:
Continuous duty, Class II safety transformer enabled by the plug activated microswitch 32A sockets 252mm wide. Predisposed for coupling with F2 window. The socket is equipped with M25 top and bottom entry.



ALUMAX Series low voltage switched sockets with electrical interlock are a range of products in 15/10 steel sheet, finished with hot polymerized scratch-resistant non-toxic polyester painting, equipped with an aluminium alloy socket for heavy duty uses, from 250A up to 400A, with IP65 protection rating.

The coupling system of plug and receptacle is equipped with the technology of Easy Contact to allow the best performance in time for the electric contact and to facilitate connection and disconnection operations.

Each connection is equipped with a double pilot contact.

The sockets are equipped with MCCB with 36kA breaking capacity.

The operation can be padlocked both at 0 and 1 position.

CONFORMITY TO STANDARDS

	IEC/EN 60309-1 IEC/EN 60947-3
Body material	Aluminium alloy (Connections) Steel (Boxes)
Surface treatment	Passivation with fluoro-zirconium
Painting	Hot polymerized non-toxic polyester
Protection rating (IP as per IEC/EN 60529)	IP67 (Connections) IP65 (Boxes)
Colour	RAL5015 (cover) RAL7035 (base)
Resistance to impacts (IK as per IEC/EN 62262)	IK10
Rated current	250A – 400A
Rated voltage	1000V
Rated frequency	50-60Hz
Rated insulation voltage	690V
Insulation class	Class I
Mobile connection cable entry diameter	42mm – 62mm
Contacts clamping range	50mm ² – 70mm ²
Pilot contacts	2
Pilot contact sections	10mm ² (3P+Q) 6mm ² (3P+N+Q)
Wall mounted socket switch	250A 400V 50-60Hz 36kA
Operating temperature	-30°C to +60°C

Resistance to chemical agents

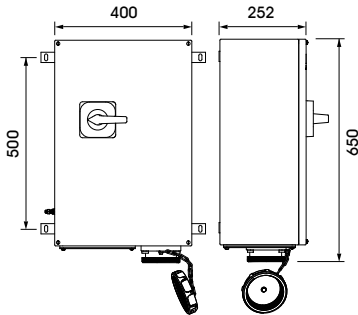
WATER	SALINE ATMOSPHERES	ACIDS		CHEMICAL BASES		SOLVENTS			
		CONCENTRATED	DILUTED	CONCENTRATED	DILUTED	ALCOHOL	ACETONE	PERCHLOROETHYLENE	BENZENE
↑	↑	↓	→	→	↑	↑	↑	↑	↑
OILS		FATS		AMMONIA	OXIDIZERS	INORGANIC SALTS	GASOLINE	DETERGENTS	U.V. RAYS
MINERAL	VEGETABLE	ANIMAL	SYNTETHIC						
↑	↑	↑	↑	↑	→	↑	↑	↑	↑

Legend:

- ↑ high resistance
- partial resistance
- ↓ low resistance

250A IP65
WALL MOUNTING SWITCHED SOCKETS IP65

Sockets with electrical interlock & MCB



- Steel-based with electrical interlock and MCB
- Handle can be padlocked

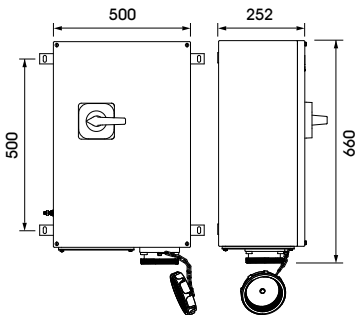
CURRENT	FREQUENCY	VOLTAGE	4 PINS	PILOT CONTACTS mm ²	5 PINS	PILOT CONTACTS mm ²
250A	50-60Hz	400V	480530	2 x 10	480550	2 x 6
		500V	480531		480551	

Cable Entry 180 x 190mm



320A / 400A
WALL MOUNTING SWITCHED SOCKETS IP65

Sockets with electrical interlock & MCB



- Steel-based with electrical interlock and MCB
- Handle can be padlocked

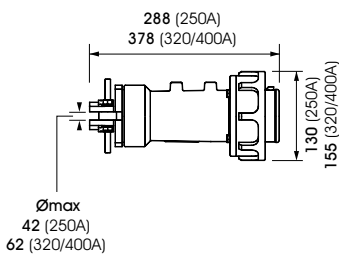
CURRENT	FREQUENCY	VOLTAGE	5 PINS	PILOT CONTACTS mm ²
320A	50-60Hz	400V	480650	2 x 6
		500V	480651	
400A		400V	480750	
		500V	480751	

Cable Entry 180 x 190mm



PLUGS IP67

Plug for high amperage



- Aluminium alloy with cable clamps

CURRENT	FREQUENCY	4 PINS	PILOT CONTACTS mm ²	5 PINS	PILOT CONTACTS mm ²
250A	50-60Hz	750530	2 x 10	750550	2 x 6
320A		-		750650	
400A		-		750750	



UNiversal BOXes in aluminium alloy are suitable for environments with aggressive atmosphere present. Back box and cover are treated with ecological anti-corrosion passivation with fluoro-zirconium and finished with hot polymerized scratch-resistant non-toxic polyester paint.

They are supplied with blind door and with a watertight cover that guarantees the IP66/IP67 double protection rating thanks to the integrated gasket.

CONFORMITY TO STANDARDS



	IEC/EN 60670-1
Material	Aluminium alloy
Surface treatment	Passivation with fluoro-zirconium
Painting	Hot polymerized non-toxic polyester
Protection rating (IP as per IEC/EN 60529)	IP66 / IP67
Colour	RAL7042 light hammer finish
Resistance to impacts (IK as per IEC/EN 62262)	IK08
Insulation class	Class I
Storage temperature	-40°C to +100°C
Operating temperature	-40°C to +100°C

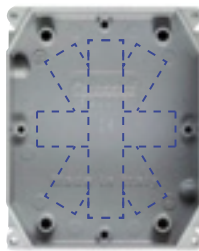
EASY TO INSTALL

Can be fixed by keeping the screwdriver perpendicular to the screw



MULTIFUNCTIONAL

Thanks to the complete set of supports



IP66 & IP67

Thanks to the external earth connection feature



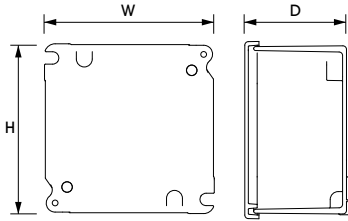
Resistance to chemical agents

WATER	SALINE ATMOSPHERES	ACIDS		CHEMICAL BASES		SOLVENTS			
		CONCENTRATED	DILUTED	CONCENTRATED	DILUTED	ALCOHOL	ACETONE	PERCHLOROETHYLENE	BENZENE
↑	↑	↓	→	→	↑	↑	↑	↑	↑
OILS		FATS		AMMONIA	OXIDIZERS	INORGANIC SALTS	GASOLINE	DETERGENTS	U.V. RAYS
MINERAL	VEGETABLE	ANIMAL	SYNTETHIC						
↑	↑	↑	↑	↑	→	↑	↑	↑	↑

Legend:
 ↑ high resistance
 → partial resistance
 ↓ low resistance

IP66 / IP67 JUNCTION BOXES

- Aluminium alloy
- Suited for EN 50022 rail horizontal or vertical mounting using M4 x6 self-tapping screws
- EN 50022 rail is to be mounted diagonally
- Complete with 2 kits for making earth connections



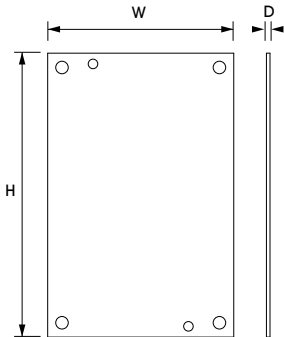
MODEL	W x H x D (mm)		PRODUCT CODE
	EXTERNAL	INTERNAL	
UNI B9	100 x 100 x 59	88 x 88 x 44	520009
UNI B11	140 x 115 x 60	128 x 103 x 46	520011
UNI B12	166 x 141 x 64	153 x 128 x 49	520012
UNI B14	192 x 168 x 80	176 x 152 x 65	520014
UNI B19	253 x 217 x 93	236 x 201 x 75	520019
UNI B20	314 x 264 x 122	292 x 243 x 104	520020
UNI B21	410 x 315 x 150	386 x 291 x 126	520021



BACK PLATES

For use with UNIBOX Series

- Zinc plated steel
- Comes complete with screws for mounting inside the box
- Comes complete with 2 kits for making earth connections



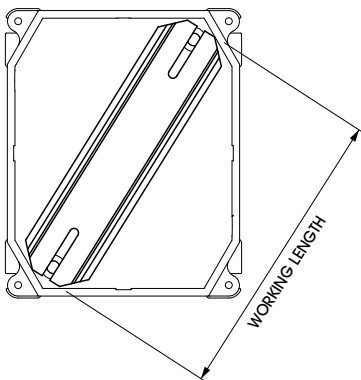
MODEL	W x H x D (mm)	PRODUCT CODE
UNI B11	119 x 78 x 1.5	522011
UNI B12	132 x 108 x 1.5	522012
UNI B14	165 x 125 x 1.5	522014
UNI B19	200 x 165 x 1.5	522019
UNI B20	250 x 210 x 1.5	522020
UNI B21	345 x 257 x 1.5	522021



EN 50022 RAILS

For use with UNIBOX Series

- Comes complete with screws for mounting inside the box



MODEL	WORKING LENGTH (mm)	PRODUCT CODE
UNI B9	60	521009
UNI B11	95	521011
UNI B12	125	521012
UNI B14	170	521014
UNI B19	230	521019
UNI B20	290	521020
UNI B21	380	521021





ALUPRES Series distribution boxes are a range of products with thick walls made of aluminium alloy for heavy duty uses with IP55 and IP67 protection rating and resistant to UV rays. The system is composed of different sizes treated with ecological anti-corrosion passivation with fluoro-zirconium and finished with hot polymerized scratch-resistant non-toxic polyester painting.

All the boxes are complete with back plate made of zinc-tropicalized steel sheet and can be accessorized with blind or windowed cover.

The boxes are available in versions totally blind suitable to be drilled with threaded holes, or with window on the sides that allows for modular combinations or to be accessorized with blind or threaded flanges or junctions available in the range.

CONFORMITY TO STANDARDS

	IEC/EN 60670-1
Material	Aluminium alloy
Surface treatment	Passivation with fluoro-zirconium
Painting	Hot polymerized non-toxic polyester
Protection rating (IP as per IEC/EN 60529)	IP67 - IP67
Colour	RAL5012 (cover) RAL7035 (base)
Resistance to impacts (IK as per IEC/EN 62262)	IK10
Insulation class	Class I
Storage temperature	-20°C to +90°C
Operating temperature	-20°C to +90°C

Resistance to chemical agents

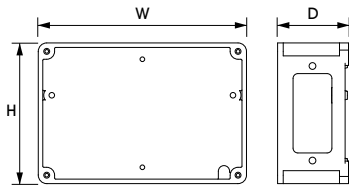
WATER	SALINE ATMOSPHERES	ACIDS		CHEMICAL BASES		SOLVENTS			
		CONCENTRATED	DILUTED	CONCENTRATED	DILUTED	ALCOHOL	ACETONE	PERCHLOROETHYLENE	BENZENE
↑	↑	↓	→	→	↑	↑	↑	↑	↑
OILS		FATS		AMMONIA	OXIDIZERS	INORGANIC SALTS	GASOLINE	DETERGENTS	U.V. RAYS
MINERAL	VEGETABLE	ANIMAL	SYNTETHIC						
↑	↑	↑	↑	↑	→	↑	↑	↑	↑

Legend:

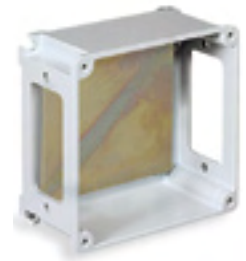
- ↑ high resistance
- partial resistance
- ↓ low resistance



IP55 / IP67 JUNCTION BOXES



- Aluminium alloy with black plate
- 155 x 155 covers and larger IP55
- Complete with non-ageing gasket and captive stainless steel fixing screws



WINDOW TYPE	EXTERNAL W x H x D (mm)	PRODUCT CODE
blind walls	92 x 92 x 42	511110
blind walls	125 x 125 x 63	511210
E1		511212
F1		511214
blind walls		511220
E1	185 x 125 x 63	511222
F2		511224
E1		511232
F2		511234
blind walls	155 x 155 x 63	521210
F1		521214
blind walls		511310
E3	185 x 185 x 95	511312
F3		511314
blind walls		511320
E3	252 x 185 x 95	511322
F4		511324

WINDOW TYPE	EXTERNAL W x H x D (mm)	PRODUCT CODE
F3	220 x 220 x 95	521314
E5	252 x 252 x 140	521412
F5		511414
blind walls		511420
E5	315 x 252 x 140	511422
F5		511424
E5	507 x 252 x 140	511452
F4	295 x 295 x 105	521214
Blind flange	315 x 315 x 140	511512
Blind flange		511514
F5	373 x 373 x 140	511612
Blind flange		511614
F6		511632
F6	507 x 373 x 140	511634
F6	630 x 373 x 140	511642
F6	630 x 507 x 140	511822
F6		511824



IP55 / IP67 BLIND COVERS - LOW

For ALUPRES Boxes

- 155 x 155 covers and larger IP55
- Complete with non-ageing gasket and captive stainless steel fixing screws

TO FIT BOX DIMENSIONS W x H (mm)	COVER HEIGHT (mm)	PRODUCT CODE
92 x 92	23	515111
125 x 125	10	515200
185 x 125	25	515221
155 x 155	10	525200
185 x 185	10	515300
220 x 220	13	525300
252 x 252	25	515411
507 x 252	53	515453
295 x 295	18	525410
315 x 315	53	515512
373 x 373	25	515610
507 x 373	53	515632
630 x 373	53	515642
630 x 507	53	515822



IP55 / IP67 BLIND COVERS - HIGH

For ALUPRES Boxes

- 155 x 155 covers and larger IP55
- Complete with non-ageing gasket and captive stainless steel fixing screws

TO FIT BOX DIMENSIONS W x H (mm)	COVER HEIGHT (mm)	PRODUCT CODE
92 x 92	35	515112
125 x 92	50	515124
185 x 92	50	515144
125 x 125	50	515214
185 x 125	50	515224
252 x 125	50	515234
185 x 185	50	515313
252 x 185	57	515323
252 x 252	57	515413
315 x 252	53	515423
373 x 373	80	515613
507 x 373	165	515637
630 x 373	127	515645



IP67 COVERS - TRANSPARENT WINDOW

With EN 50022 Rail
for ALUPRES Boxes


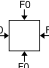

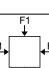
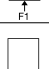
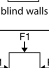
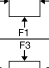
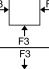

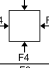
- Complete with non-ageing gasket and captive stainless steel fixing screws and EN 50022 rail
- When fitted in the box they allow for the installation of modular devices

TO FIT BOX DIMENSIONS W x H (mm)	COVER HEIGHT (mm)	NO. EN 50022 MODULES	PRODUCT CODE
125 x 125	80	4	518204
185 x 125	80	6.5	518206
185 x 185	80	7.5	518207
252 x 125	80	9	518209
252 x 185	80	11	518211



IP55 / IP67 JUNCTION BOXES

- Aluminium alloy with back plate and blind cover
- Boxes 155 x 155 and larger IP55
- Windows free with gaskets in non-ageing elastomer and screws for fixing accessories or coupling to another box
- Internal and external earth screws

WINDOW TYPE	EXTERNAL W x H x D (mm)	PRODUCT CODE
 blind walls	92 x 92 x 66	150006
 F0 E0	92 x 92 x 66	150001
 blind walls	125 x 125 x 73	150016
 F1 E1	125 x 125 x 73	150011
 blind walls	155 x 155 x 73	150026
 F1 E1	155 x 155 x 73	150021
 F3 E3	185 x 185 x 105	150031
 F3 E3	220 x 220 x 107	150041
 F4 E4	295 x 295 x 121	150051
 F6 E6	373 x 373 x 165	150061



IP55 BLIND COVERS - HINGED

For ALUPRES Boxes

- Hinge for easier enclosure access
- Complete with non-ageing gasket and captive stainless steel fixing screws

TO FIT BOX DIMENSIONS W x H (mm)	COVER HEIGHT (mm)	PRODUCT CODE
185 x 185	64	516314
252 x 185	64	516324
252 x 252	64	516414
315 x 252	72	516424
507 x 252	72	516454
373 x 373	40	516611
373 x 373	72	516613
507 x 373	40	516631
507 x 373	140	516636
630 x 373	68	516643
630 x 507	68	516823
630 x 507	140	516826



IP67 BLIND FLANGES (FLAT) - STEEL

For windowed walls

- For closing unused windows
- Holes can be made for applying cable glands

FOR WINDOW TYPE	PROJECTION (mm)	PRODUCT CODE
F0 (insulated material)	5	540030
F1 (insulated material)	6	540031
F0	2.5	540090
F1	5.5	540091
F2	5.5	540032
F3	6	540033
F4	6	540034
F5	7	540035
F6	8	540036



IP67 BLIND FLANGES (RAISED) - ALUMINIUM ALLOY

For windowed walls

- For closing unused windows
- Increase internal space making wiring easier

FOR WINDOW TYPE	PROJECTION (mm)	PRODUCT CODE
F1	32	540061
F2	32	540062
F3	50	540063
F4	50	540064
F5	80	540065
F6	80	540066



IP67 FLANGES (METRIC THREADING) - ALUMINIUM ALLOY

For windowed walls

FOR WINDOW TYPE	THREADING TYPE	PROJECTION (mm)	PRODUCT CODE
F0	M25	18	541050
F1	M25	18	541055
F1	M32	51	540180
F2	M32	51	540185
F2	M40	51	540186
F3	M40	51	540190
F4	M40	51	540193
F5	M50	51	540195



**IP67 FLANGES
DOUBLE GAS THREADING
& CABLE GLAND(RAISED)
- ALUMINIUM ALLOY**
For windowed walls

- Suitable for entry with threaded conduits

FOR WINDOW TYPE	THREADING TYPE	ENTRY CABLE Ø (mm)	PROJECTION (mm)	PRODUCT CODE
F0	1/2"	9-12	36	541040
F1	3/4"	12-16	57	540161
F2	1"	16-22	62	540162
F3	1 1/4"	25-26	79	540163
F4	1 1/2"	25-35	124	540164
F5	2	33-44	154	540165



**ONE WAY JUNCTION
90° ANGLED -
ALUMINIUM ALLOY**
For windowed walls

- Suitable for entry with unthreaded conduits or cables

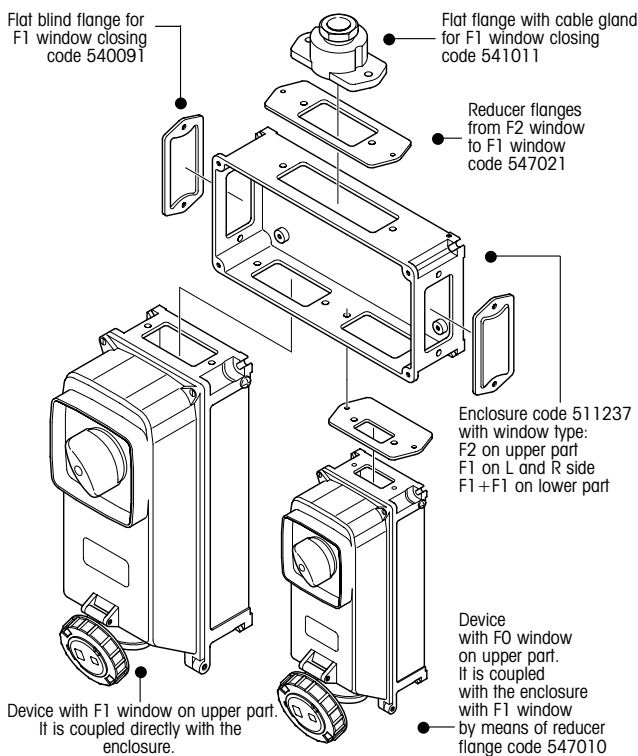
FOR WINDOW TYPE	PROJECTION (mm)	INTERNAL HOLE Ø (mm)	PRODUCT CODE
F1	53	32	545081
F2	74	32	545082
F3	83	54	545083
F4	93	60	545084
F5	137	65	545085
F6	137	65	545086


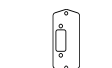


IP67 REDUCERS - STEEL
For windowed walls

- Boxes and socket-outlets can be interfaced with different windows
- 547151, 547152, 547161, 547162 are needed to couple only the boxes with the flanges with cable gland

Applicative example of steel reducers for windows



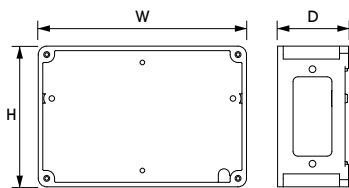
SHAPE	FROM WINDOW	TO WINDOW	THICKNESS (mm)	PRODUCT CODE
	F1	F0	3	547010
	F2	F0	4	547020
	F2	F1	4	547021
	F3	F0	4	547030
	F3	F1	4	547031
	F3	F2	4	547032
	F3	2x F0	5	547300
	F4	F1	4	547041
	F4	F2	4	547042
	F4	F3	4	547043
	F4	F1 + F0	6	547410
	F4	2x F1	5	547411
	F5	F3	5	547053
	F5	F4	5	547054
	F6	F3	5	547063
	F6	F4	5	547064
F6	F5	5	547065	
	F5	F1	5	547151
	F5	F2	5	547152
	F6	F1	5	547161
	F6	F2	5	547162



IP67 BOXES - ALUMINIUM ALLOY

For composition of socket boards

- Free windows with gaskets in non-ageing elastomer and screws for applying accessories or for coupling with other boxes
- Internal and external earth screws
- 511147 to 511237 complete with mounting plates



WINDOW TYPE	EXTERNAL W x H x D (mm)	INSTALLABLE SOCKET MODULE	PRODUCT CODE
	92 x 92 x 42	92	511112
		92	511114
	125 x 92 x 42	92	511122
		92	511124
	185 x 92 x 42	92	511142
		92	511144
	185 x 92 x 42	92 + 92	511147
		92	511217
	125 x 125 x 63	125	511212
		125	511214
		92	511217
	185 x 125 x 63	92 + 92	511227
	252 x 125 x 63	125 + 92	511236
		125 + 125	511237



MOUNTING PLATES - PAINTED STEEL

For composition of socket boards

- Designed with threaded holes and includes stainless steel screws for fastening devices

EXTERNAL W x H (mm)	NUMBER OF INSTALLABLE DEVICES	INSTALLABLE DEVICE MODULE	PRODUCT CODE
125 x 558	1	1 x 92 1 x 125	532876
185 x 389	2	2 x 92	532806
276 x 389	3	3 x 92	532816
185 x 421	2	2 x 92	532826
250 x 558	2	2 x 125 125 + 92	532836
375 x 558	3	3 x 125	532846
310 x 558	3	125 + 2 x 92	532856
435 x 558	4	2 x 125 + 2 x 92 125 + 3 x 92	532866



PAIR OF JUNCTION PLATES - WITH SCREWS

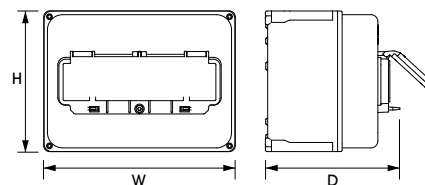
For coupling plates

FOR MOUNTING PLATE CODE	PRODUCT CODE
532806 / 532816 / 532826 / 532836 532846 / 532856 / 532866	532895



IP67 WALL MOUNTING CONTROL UNITS - ALUMINIUM ALLOY

- Designed with threaded holes and includes stainless steel screws for fastening devices
- Padlockable window and with tamperproof screw



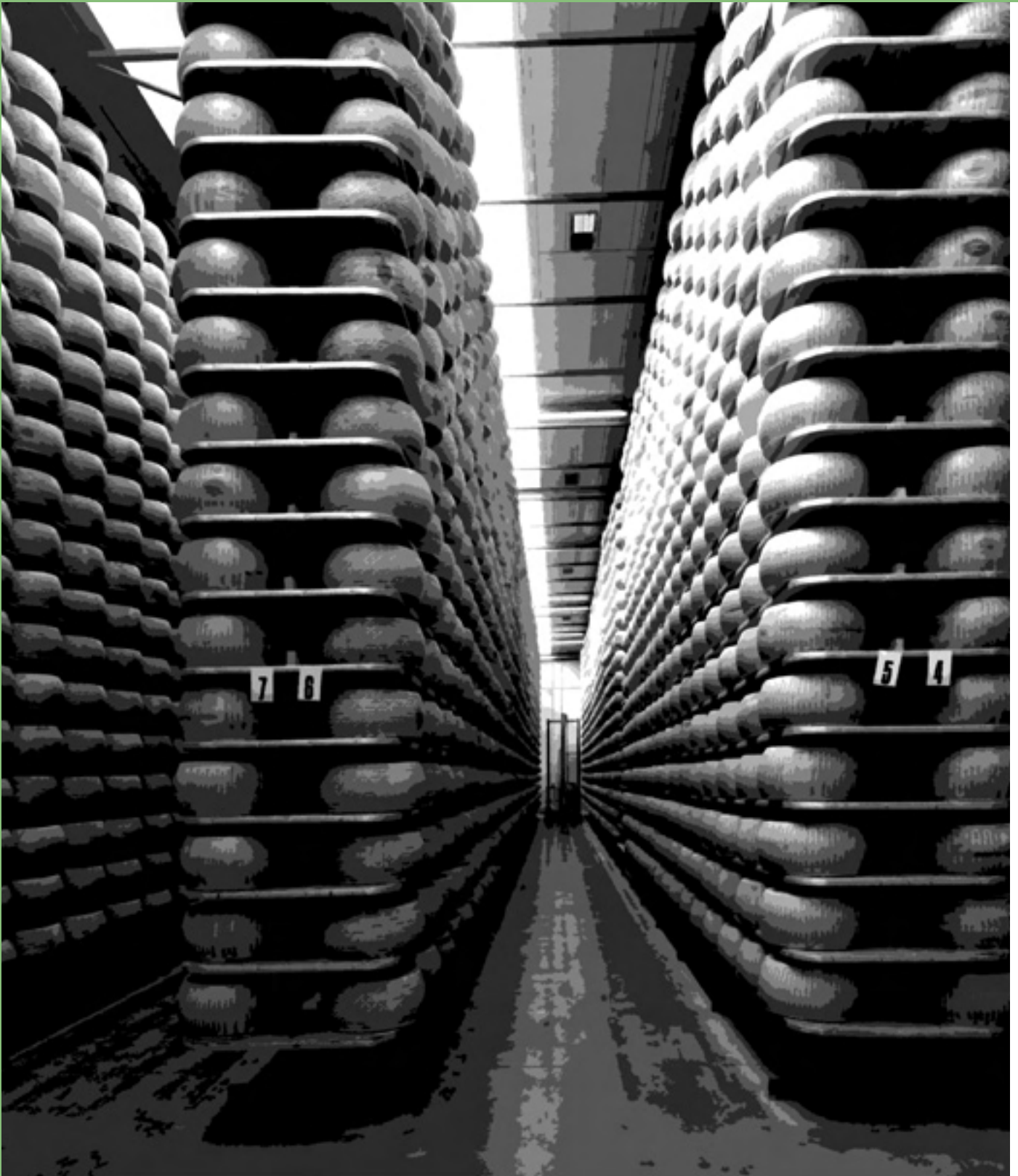
EXTERNAL W x H x D (mm)	NO. EN 50022 MODULES	POWER DISSIPATION (W)	PRODUCT CODE
125 x 125 x 143	4	13	532876
125 x 125 x 143	6.5	15	532806
125 x 125 x 175	11	20	532816

LIGHTING

INDUSTRIAL LIGHTING FOR WORK ENVIRONMENTS



Suitable for food industries, extractor hoods, chemical industries, mines & environments with cutting oil presence and in areas where it is important to combine steel body resistance with energy saving.





No welded joints No oxidation

THE ADVANTAGES



The special reinforced gasket guarantees the IP66 protection rating across the range.



The new glass diffuser without metallic border offers a wider transparent surface for an improved photometric performance.



The ultra-bright aluminium reflector ensures optimum efficacy of the luminous flux and therefore an extremely uniform distribution.



The non-deformable structure makes RINO suitable to be installed even when vibrations are present.

THE RANGE



RINO
Fluorescent industrial fixtures



RINO-LED
LED industrial fixtures



RINO Bulkheads
Round & oval industrial fixtures

The RINO range of lighting fixtures is manufactured with the highest quality standards guaranteeing reliability and best performances, such as the body which is cold-drawn in a single piece and with a high photometric output.

RINO LED is the new watertight lighting fixture series made of steel and glass including LED technology to illuminate internal or external areas. The new light-scattering system ensures more than 35% energy saving if compared with the same luminous flux of a T8 fluorescent lamp. Visual comfort is guaranteed by the anti-glare diffuser. We recommend to install these devices in those areas where it is important to combine steel body resistance together with energy saving.

CONFORMITY TO STANDARDS



RINO	IEC/EN 60598-1 IEC/EN 60598-2-1
RINO LED	IEC/EN 60598-1 IEC/EN 60598-2-1 IEC/EN 62031 IEC/EN 62384 IEC/EN 61347-2-13 IEC/EN 62471

Body material	Stainless steel AISI 304 Painted zinc steel
Diffuser material	Temperate glass. Polycarbonate
Painting	Non-toxic polyester resistant to weather conditions and UV rays
Protection rating (IP as per IEC/EN 60529)	IP66
Colour version	RAL9003 (painted zinc steel version)
Resistance to impacts (IK as per IEC/EN 62262)	IK09
Insulation class	Class I
Fuse type	Cylindrical 5 x 20
LED Colour Temp	4000K
Lampholder T8 / T5	G13 T8 / G5 T5
Rated voltage	230V
Rated frequency	0-50-60Hz (electronic) 50Hz (electromagnetic)
Max cable section	2.5mm ²
Entry cable diameter	7-14mm
Emergency battery lifetime	1 hr
Storage temperature	-40°C to +70°C
Operating temperature	-25°C to +50°C

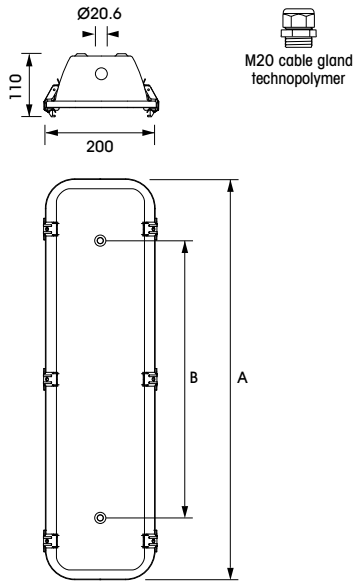
Steel

WATER	SALINE ATMOSPHERES	ACIDS		CHEMICAL BASES		SOLVENTS			
		CONCENTRATED	DILUTED	CONCENTRATED	DILUTED	ALCOHOL	ACETONE	PERCHLOROETHYLENE	BENZENE
↑	→	→	↑	↑	↑	↑	↑	↑	↑
OILS		FATS		AMMONIA	OXIDIZERS	INORGANIC SALTS	GASOLINE	DETERGENTS	U.V. RAYS
MINERAL	VEGETABLE	ANIMAL	SYNTETHIC						
↑	↑	↑	↑	↑	→	↑	↑	↑	↑

Key:
 ↑ high resistance
 → partial resistance
 ↓ low resistance

IP66 STAINLESS STEEL LIGHT FIXTURES WHITE REFLECTOR, GLASS DIFFUSER

For T8 lamps 230V



M20 cable gland
technopolymer

- Lamps not included
- M20 technopolymer cable gland

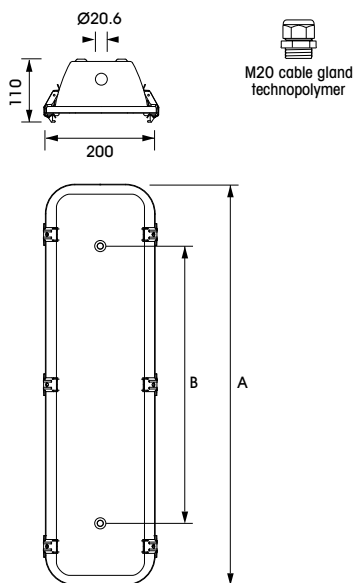
LAMP TYPE	A (mm)	B (mm)
18W T8	690	480
36W T8	1300	1090
58W T8	1600	1395

WATTAGE	POWER SUPPLY	PRODUCT CODE
1 x 18W	Electromagnetic	822101
1 x 36W	Electromagnetic	822201
1 x 58W	Electromagnetic	822301
2 x 18W	Electromagnetic	822102
2 x 36W	Electromagnetic	822202
2 x 58W	Electromagnetic	822302
3 x 18W	Electromagnetic	822103
3 x 36W	Electromagnetic	822203
1 x 18W	Electronic	822131
1 x 36W	Electronic	822231
1 x 58W	Electronic	822331
2 x 18W	Electronic	822132
2 x 36W	Electronic	822232
2 x 58W	Electronic	822332
1 + 1 x 36W	Emergency	822211
1 + 1 x 58W	Emergency	822311



IP66 STAINLESS STEEL LIGHT FIXTURES WHITE REFLECTOR, GLASS DIFFUSER

For T5 lamps 230V



M20 cable gland
technopolymer

- Lamps not included
- M20 technopolymer cable gland

LAMP TYPE	A (mm)	B (mm)
54W T5	1300	1090
49W & 80W T5	1600	1395

WATTAGE	POWER SUPPLY	PRODUCT CODE
2 x 54W	Electronic	822962
2 x 49W	Electronic	822762
2 x 80W	Electronic	822862



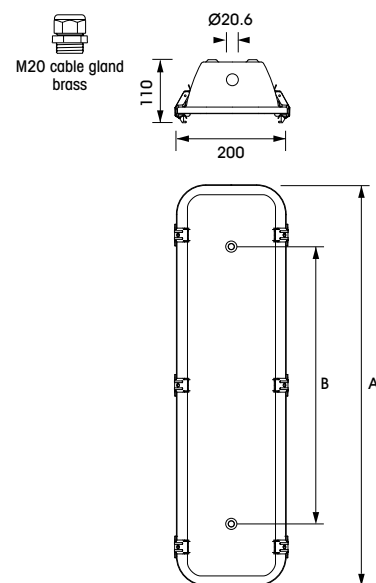
IP66 STAINLESS STEEL LIGHT FIXTURES SYMMETRICAL ALUMINIUM REFLECTOR, GLASS DIFFUSER

For T8 lamps 230V

- Lamps not included
- M20 brass cable gland



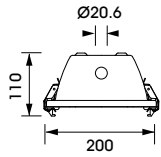
WATTAGE	POWER SUPPLY	PRODUCT CODE
1 x 18W	Electromagnetic	820101
1 x 36W	Electromagnetic	820201
1 x 58W	Electromagnetic	820301
2 x 18W	Electromagnetic	820102
2 x 36W	Electromagnetic	820202
2 x 58W	Electromagnetic	820302
3 x 18W	Electromagnetic	820103
3 x 36W	Electromagnetic	820203
1 x 18W	Electronic	820131
1 x 36W	Electronic	820231
1 x 58W	Electronic	820331
2 x 18W	Electronic	820132
2 x 36W	Electronic	820232
2 x 58W	Electronic	820332
3 x 18W	Electronic	820133
3 x 36W	Electronic	820233
1 x 18W	Dimmable Electronic	820151
1 x 36W	Dimmable Electronic	820251
2 x 18W	Dimmable Electronic	820152
2 x 36W	Dimmable Electronic	820252
1 + 1 x 18W	Emergency	820111
1 + 1 x 36W	Emergency	820211
1 + 1 x 58W	Emergency	820311



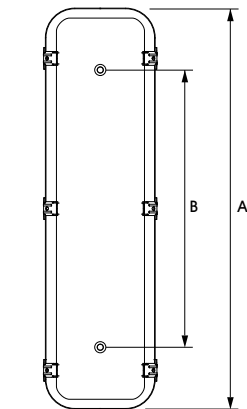
LAMP TYPE	A (mm)	B (mm)
18W T8	690	480
36W T8	1300	1090
58W T8	1600	1395

IP66 STAINLESS STEEL LIGHT FIXTURES SYMMETRICAL ALUMINIUM REFLECTOR, GLASS DIFFUSER

For T5 lamps 230V



- Lamps not included
- M20 brass cable gland



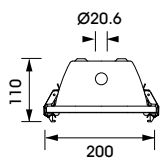
WATTAGE	POWER SUPPLY	PRODUCT CODE
2 x 24W	Electronic	820562
2 x 28W	Electronic	820462
2 x 54W	Electronic	820962
2 x 35W	Electronic	820662
2 x 49W	Electronic	820762
2 x 80W	Electronic	820862
1 + 1 x 24W	Emergency	820511
1 + 1 x 54W	Emergency	820911
1 + 1 x 49W	Emergency	820711



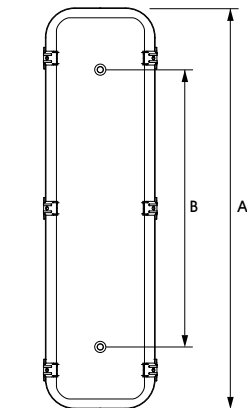
LAMP TYPE	A (mm)	B (mm)
24W T5	690	480
28W & 54W T5	1300	1090
35W, 49W & 80W T5	1600	1395

IP66 STAINLESS STEEL LIGHT FIXTURES ASYMMETRICAL ALUMINIUM REFLECTOR, GLASS DIFFUSER

For T8 lamps 230V



- Lamps not included
- M20 technopolymer cable gland



WATTAGE	POWER SUPPLY	PRODUCT CODE
1 x 18W	Electronic	824131
1 x 36W	Electronic	824231
1 x 58W	Electronic	824331



LAMP TYPE	A (mm)	B (mm)
18W T8	690	480
36W T8	1300	1090
58W T8	1600	1395

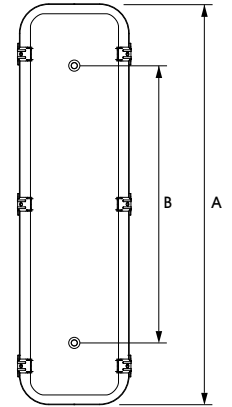
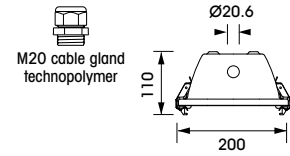
**IP66 STAINLESS STEEL LIGHT FIXTURES
SYMMETRICAL ALUMINIUM REFLECTOR, POLYCARBONATE DIFFUSER**

For T5 lamps 230V

- Lamps not included
- M20 technopolymer cable gland



WATTAGE	POWER SUPPLY	PRODUCT CODE
1 x 24W	Electronic	824561
1 x 54W	Electronic	824961
1 x 49W	Electronic	824761
2 x 80W	Electronic	824861



LAMP TYPE	A (mm)	B (mm)
24W T5	690	480
54W T5	1300	1090
49W & 80W T5	1600	1395

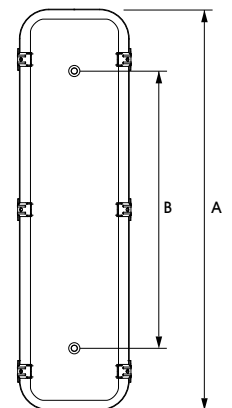
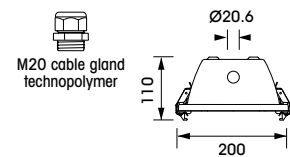
**IP66 STAINLESS STEEL LIGHT FIXTURES
WHITE REFLECTOR, POLYCARBONATE DIFFUSER**

For T8 lamps 230V

- Lamps not included
- M20 technopolymer cable gland



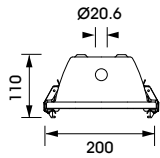
WATTAGE	POWER SUPPLY	PRODUCT CODE
2 x 18W	Electromagnetic	828102
2 x 36W	Electromagnetic	828202
2 x 58W	Electromagnetic	828302
2 x 18W	Electronic	828132
2 x 36W	Electronic	828232
2 x 58W	Electronic	828332



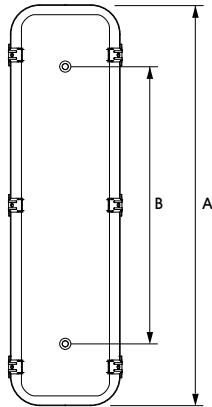
LAMP TYPE	A (mm)	B (mm)
18W T8	690	480
36W T8	1300	1090
58W T8	1600	1395

IP66 STAINLESS STEEL LIGHT FIXTURES SYMMETRICAL ALUMINIUM REFLECTOR, POLYCARBONATE DIFFUSER

For T8 lamps 230V



- Lamps not included
- M20 technopolymer cable gland



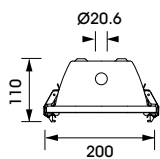
WATTAGE	POWER SUPPLY	PRODUCT CODE
2 x 18W	Electromagnetic	825102
2 x 36W	Electromagnetic	825202
2 x 58W	Electromagnetic	825302
2 x 18W	Electronic	825132
2 x 36W	Electronic	825232
2 x 58W	Electronic	825332
1 + 1 x 18W	Emergency	825111
1 + 1 x 36W	Emergency	825211
1 + 1 x 58W	Emergency	825311



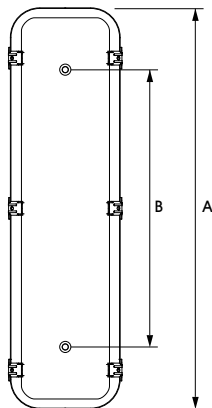
LAMP TYPE	A (mm)	B (mm)
18W T8	690	480
36W T8	1300	1090
58W T8	1600	1395

IP66 STAINLESS STEEL LIGHT FIXTURES SYMMETRICAL ALUMINIUM REFLECTOR, POLYCARBONATE DIFFUSER

For T5 lamps 230V



- Lamps not included
- M20 technopolymer cable gland



WATTAGE	POWER SUPPLY	PRODUCT CODE
2 x 24W	Electronic	825562
2 x 54W	Electronic	825962
2 x 49W	Electronic	825762



LAMP TYPE	A (mm)	B (mm)
24W T5	690	480
54W T5	1300	1090
49W T5	1600	1395

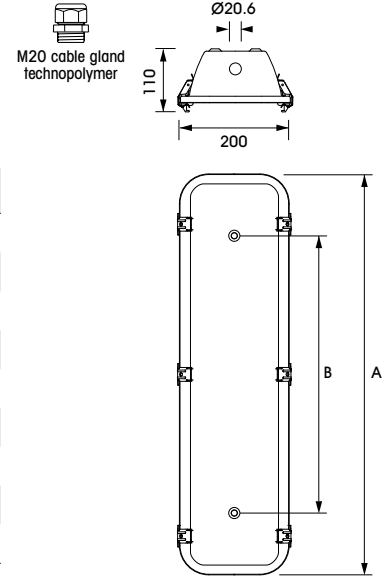
IP66 PAINTED STEEL LIGHT FIXTURES, WHITE REFLECTOR, GLASS DIFFUSER

For T8 lamps 230V

- Lamps not included
- M20 technopolymer cable gland



WATTAGE	POWER SUPPLY	PRODUCT CODE
1 x 18W	Electromagnetic	842101
1 x 36W	Electromagnetic	842201
1 x 58W	Electromagnetic	842301
2 x 18W	Electromagnetic	842102
2 x 36W	Electromagnetic	842202
2 x 58W	Electromagnetic	842302
2 x 18W	Electronic	842132
2 x 36W	Electronic	842232
2 x 58W	Electronic	842332



LAMP TYPE	A (mm)	B (mm)
18W T8	690	480
36W T8	1300	1090
58W T8	1600	1395

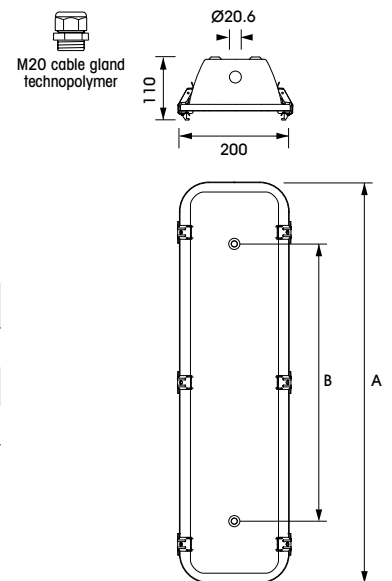
IP66 PAINTED STEEL LIGHT FIXTURES, WHITE REFLECTOR, GLASS DIFFUSER

For T5 lamps 230V

- Lamps not included
- M20 technopolymer cable gland



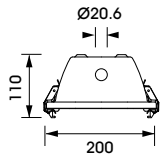
WATTAGE	POWER SUPPLY	PRODUCT CODE
2 x 54W	Electronic	842962
2 x 49W	Electronic	842762
2 x 80W	Electronic	842862



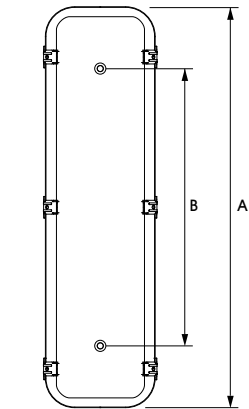
LAMP TYPE	A (mm)	B (mm)
54W T5	690	480
49W T5	1300	1090
80W T5	1600	1395

IP66 PAINTED STEEL LIGHT FIXTURES, SYMMETRICAL ALUMINIUM REFLECTOR, GLASS DIFFUSER

For T8 lamps 230V



- Lamps not included
- M20 technopolymer cable gland



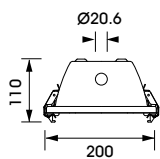
LAMP TYPE	A (mm)	B (mm)
18W T8	690	480
36W T8	1300	1090
58W T8	1600	1395

WATTAGE	POWER SUPPLY	PRODUCT CODE
2 x 18W	Electromagnetic	843102
2 x 36W	Electromagnetic	843202
2 x 58W	Electromagnetic	843302
2 x 18W	Electronic	843132
2 x 36W	Electronic	843232
2 x 58W	Electronic	843332
1 + 1 x 18W	Emergency	843111
1 + 1 x 36W	Emergency	843211
1 + 1 x 58W	Emergency	843311

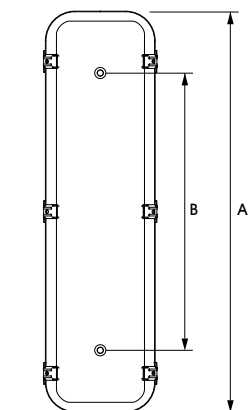


IP66 PAINTED STEEL LIGHT FIXTURES, SYMMETRICAL ALUMINIUM REFLECTOR, GLASS DIFFUSER

For T5 lamps 230V



- Lamps not included
- M20 technopolymer cable gland



LAMP TYPE	A (mm)	B (mm)
24W T5	690	480
28W & 54W T5	1300	1090
35W, 49W & 80W T5	1600	1395

WATTAGE	POWER SUPPLY	PRODUCT CODE
2 x 24W	Electronic	843562
2 x 28W	Electronic	843462
2 x 54W	Electronic	843962
2 x 35W	Electronic	843662
2 x 49W	Electronic	843762
2 x 80W	Electronic	843862
1 + 1 x 24W	Emergency	843511
1 + 1 x 54W	Emergency	843911
1 + 1 x 49W	Emergency	843711



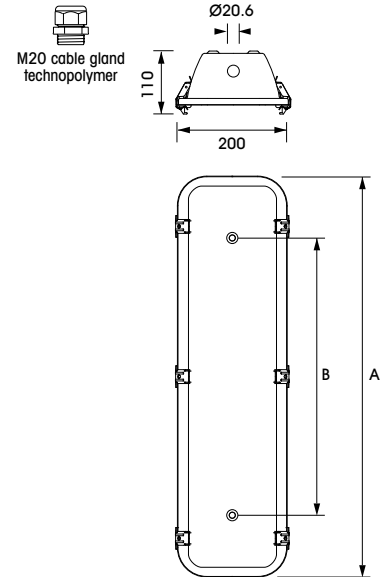
**IP66 PAINTED STEEL LIGHT FIXTURES
WHITE REFLECTOR, GLASS DIFFUSER**

For T8 lamps 230V

- Lamps not included
- M20 technopolymer cable gland



WATTAGE	POWER SUPPLY	PRODUCT CODE
2 x 18W	Electromagnetic	847102
2 x 36W	Electromagnetic	847202
2 x 58W	Electromagnetic	847302
2 x 18W	Electronic	847132
2 x 36W	Electronic	847232
2 x 58W	Electronic	847332
1 + 1 x 36W	Emergency	847211



LAMP TYPE	A (mm)	B (mm)
18W T8	690	480
36W T8	1300	1090
58W T8	1600	1395

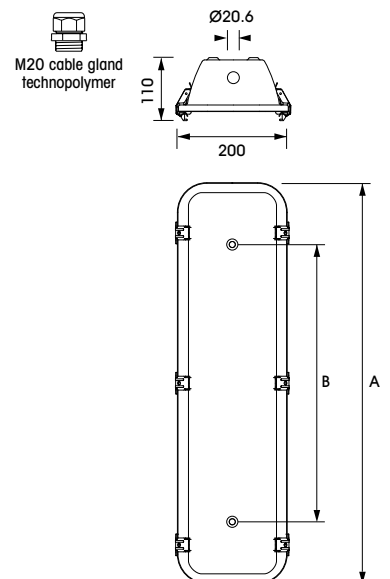
**IP66 PAINTED STEEL LIGHT FIXTURES
SYMMETRICAL ALUMINIUM REFLECTOR, POLYCARBONATE DIFFUSER**

For T8 lamps 230V

- Lamps not included
- M20 technopolymer cable gland



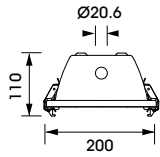
WATTAGE	POWER SUPPLY	PRODUCT CODE
2 x 18W	Electromagnetic	845102
2 x 36W	Electromagnetic	845202
2 x 58W	Electromagnetic	845302
2 x 18W	Electronic	845132
2 x 36W	Electronic	845232
2 x 58W	Electronic	845332
1 + 1 x 18W	Emergency	845111
1 + 1 x 36W	Emergency	845211
1 + 1 x 58W	Emergency	845311



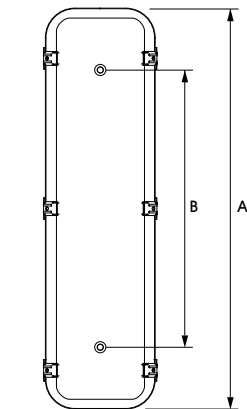
LAMP TYPE	A (mm)	B (mm)
18W T8	690	480
36W T8	1300	1090
58W T8	1600	1395

IP66 PAINTED STEEL LIGHT FIXTURES SYMMETRICAL ALUMINIUM REFLECTOR, POLYCARBONATE DIFFUSER

For T5 lamps 230V



- Lamps not included
- M20 technopolymer cable gland



WATTAGE	POWER SUPPLY	PRODUCT CODE
2 x 24W	Electronic	842962
2 x 54W	Electronic	842762
2 x 49W	Electronic	842862



LAMP TYPE	A (mm)	B (mm)
24W T5	690	480
54W T5	1300	1090
49W T5	1600	1395

PAIR OF HOOKS

For pendant mounting
steel lighting fixtures



MATERIAL	PRODUCT CODE
Stainless steel AISI 304	820001

PAIR OF COLLARS

For mounting steel lighting
fixtures on tube



MATERIAL	TUBE Ø (mm)	PRODUCT CODE
Stainless steel AISI 304	60	820006

PAIR OF SWIVELLING SUPPORTS

For ceiling or wall
mounting steel lighting
fixtures



MATERIAL	ROTATING ANGLE	PRODUCT CODE
Stainless steel AISI 304	±75°	820000

SYMMETRICAL REFLECTORS

For steel lighting fixtures
on tube



MATERIAL	FOR LIGHT FIXTURE (W)	PRODUCT CODE
Aluminium	18W / 24W	820002
Aluminium	28W / 36W / 54W	820003
Aluminium	35W / 49W / 58W / 80W	820008



Integral LED technology 35% energy saving

THE ADVANTAGES



RESISTANCE

Thanks to the stainless steel AISI 304



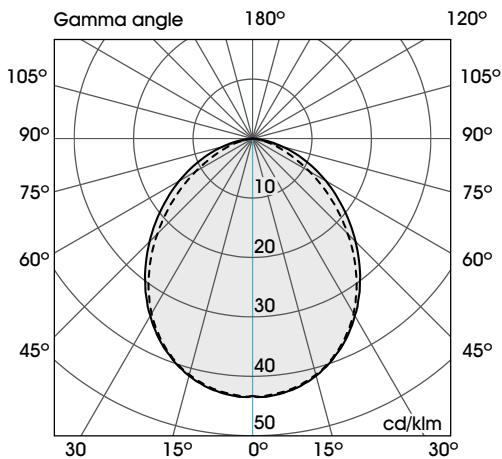
CRUSHPROOF

Thanks to the single body

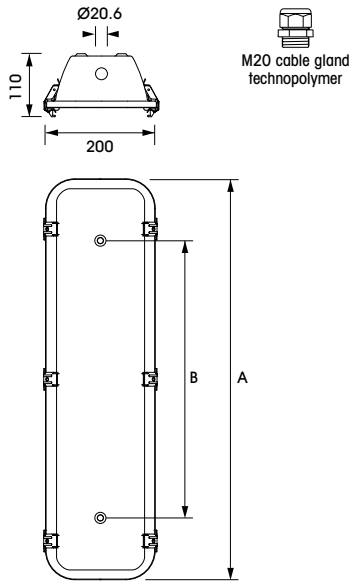


50.000 HOURS OF LIGHT

Thanks to the new LED technology



IP66 STAINLESS LED STEEL LIGHT FIXTURES GLASS DIFFUSER LED 230V



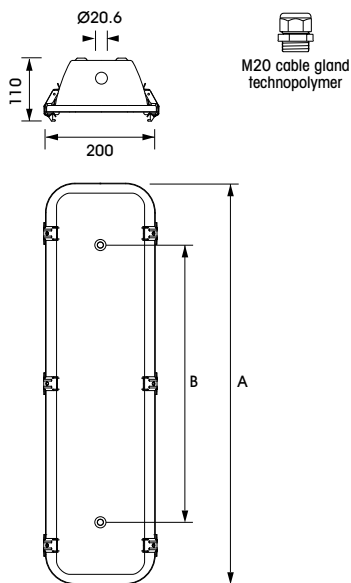
- Integral LED
- M20 technopolymer cable gland

WATTAGE	LUMINOUS FLUX (lm)	PRODUCT CODE
19W	2250lm	822142
40W	4800lm	822242
57W	8000lm	822342



WATTAGE	A (mm)	B (mm)
19W	690	480
40W	1300	1090
57W	1600	1395

IP66 PAINTED STEEL LIGHT FIXTURES GLASS DIFFUSER LED 230V



- Integral LED
- M20 technopolymer cable gland

WATTAGE	POWER SUPPLY	PRODUCT CODE
19W	2250lm	842142
40W	4800lm	842242
57W	8000lm	842342



LAMP TYPE	A (mm)	B (mm)
19W	690	480
40W	1300	1090
57W	1600	1395

RINO Series round and oval bulkheads are lighting fixtures manufactured with high quality standards for industrial products. The diffuser in anti-impact ribbed glass, lamp holder in porcelain, surface treatment of passivation with fluoro-zirconium and hot polymerized polyester painting guarantees resistance of the product in any areas. We recommend to install these fixtures in those places, such as arcades, electrical substations, cold rooms and in any restricted space where you may need a long-term resistant lighting fixture.



CONFORMITY TO STANDARDS

RINO	IEC/EN 60598-1 IEC/EN 60598-2-1
Body material	Aluminium alloy
Diffuser material	Prismatic tempered glass
Surface treatment	Passivation with fluoro-zirconium
Painting	Hot polymerized non-toxic polyester
Protection rating (IP as per IEC/EN 60529)	IP65
Colour	RAL7035 (body)
Resistance to impacts (IK as per IEC/EN 62262)	IK10
Insulation class	Class I
Lampholder	E27 type in porcelain G23 type in technopolymer
Rated voltage	230V
Rated frequency	50-60Hz
Max cable section	2.5mm ²
Entry cable diameter	5-13mm
Storage temperature	-50°C to +80°C
Operating temperature	-40°C to +90°C

THE ADVANTAGES



HIGH REISTANCE
Thanks to the continuous use at -40°C



GUARANTED PROTECTION
Thanks to the external predisposition for fixing



MAXIMUM SECURITY
Thanks to the protective cages

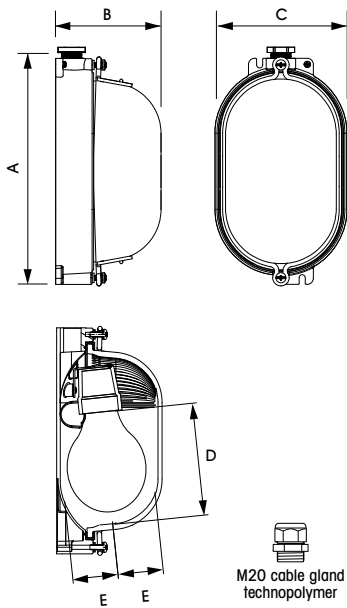
Resistance to chemical agents

WATER	SALINE ATMOSPHERES	ACIDS		CHEMICAL BASES		SOLVENTS			
		CONCENTRATED	DILUTED	CONCENTRATED	DILUTED	ALCOHOL	ACETONE	PERCHLOROETHYLENE	BENZENE
↑	↑	↓	→	→	↑	↑	↑	↑	↑
OILS		FATS		AMMONIA	OXIDIZERS	INORGANIC SALTS	GASOLINE	DETERGENTS	U.V. RAYS
MINERAL	VEGETABLE	ANIMAL	SYNTETHIC						
↑	↑	↑	↑	↑	→	↑	↑	↑	↑

Legend:
 ↑ high resistance
 → partial resistance
 ↓ low resistance

IP65 OVAL BULKHEAD

Aluminium alloy, glass diffuser, 230V



- Lamp not included
- Internal earth screws
- E27 lampholder - porcelain
- M20 technopolymer cable gland

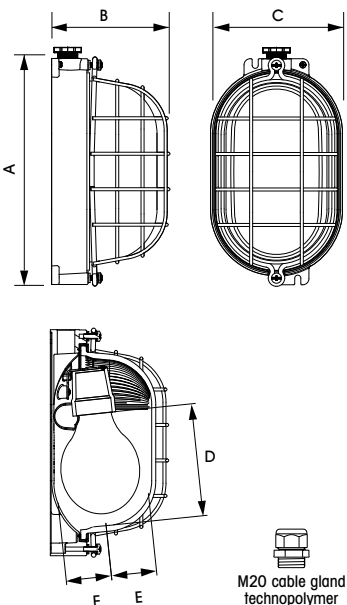
MAX. LAMP WATTAGE (W)	LAMPHOLDER	NO. ENTRIES	PRODUCT CODE
60W	E27	1	831071
60W	E27	2	831091
75W	E27	1	831171
75W	E27	2	831191
100W	E27	1	831271
100W	E27	2	831291
5W / 7W / 9W	G23	1	831914



LAMP WATTAGE	DIMENSIONS (mm)				
	A	B	C	D	E
60W	199	100	112	90	38
75W	226	105	130	110	40
100W	295	127	170	168	43

IP65 OVAL BULKHEAD, STEEL CAGE

Aluminium alloy, glass diffuser, 230V



- Lamp not included
- Internal earth screws
- E27 lampholder - porcelain
- M20 technopolymer cable gland

MAX. LAMP WATTAGE (W)	LAMPHOLDER	NO. ENTRIES	PRODUCT CODE
60W	E27	1	831072
60W	E27	2	831092
75W	E27	1	831172
75W	E27	2	831192
100W	E27	1	831272
100W	E27	2	831292
5W / 7W / 9W	G23	1	831934



LAMP WATTAGE	DIMENSIONS (mm)				
	A	B	C	D	E
60W	199	119	112	90	38
75W	226	122	130	110	40
100W	295	142	170	168	43

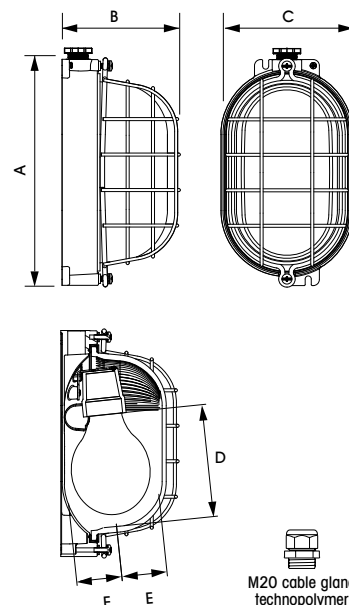
IP65 OVAL BULKHEAD, ALUMINIUM CAGE

Aluminium alloy, glass diffuser, 230V

- Lamp not included
- Internal earth screws
- E27 lampholder - porcelain
- M20 technopolymer cable gland



MAX. LAMP WATTAGE (W)	LAMPHOLDER	NO. ENTRIES	PRODUCT CODE
60W	E27	1	831075
60W	E27	2	831095
75W	E27	1	831175
75W	E27	2	831195
100W	E27	1	831275
100W	E27	2	831295
5W / 7W / 9W	G23	1	831954



LAMP WATTAGE	DIMENSIONS (mm)				
	A	B	C	D	E
60W	199	119	112	90	38
75W	226	122	130	110	40
100W	295	142	170	168	43

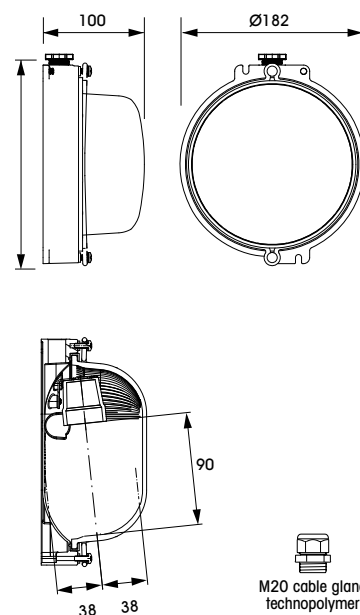
IP65 ROUND BULKHEAD

Aluminium alloy, glass diffuser, 230V

- Lamp not included
- Compatible with LED retrofit lamps
- Internal earth screws
- E27 lampholder - porcelain
- M20 technopolymer cable gland

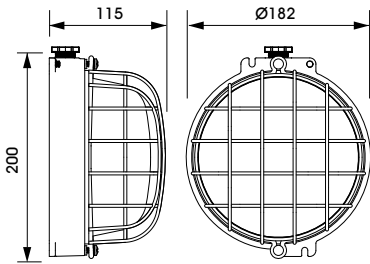


MAX. LAMP WATTAGE (W)	LAMPHOLDER	NO. ENTRIES	PRODUCT CODE
75W	E27	1	830071

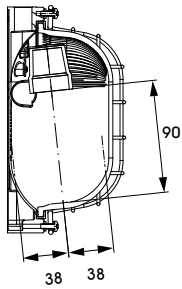


IP65 ROUND BULKHEAD, STEEL CAGE

Aluminium alloy, glass diffuser, 230V



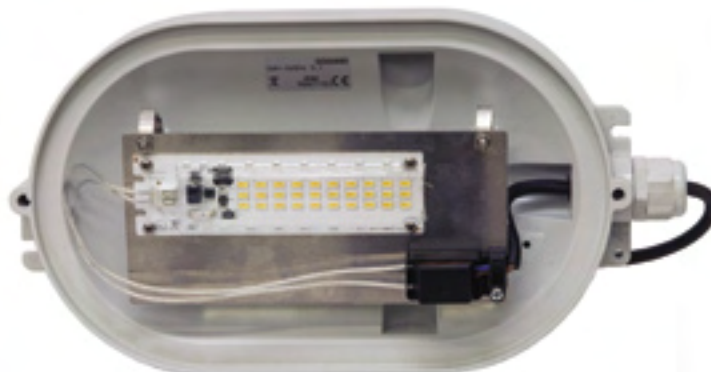
- Lamp not included
- Compatible with LED retrofit lamps
- Internal earth screws
- E27 lampholder - porcelain
- M20 technopolymer cable gland



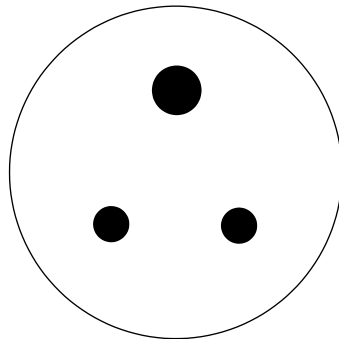
MAX. LAMP WATTAGE (W)	LAMPHOLDER	NO. ENTRIES	PRODUCT CODE
75W	E27	1	830072



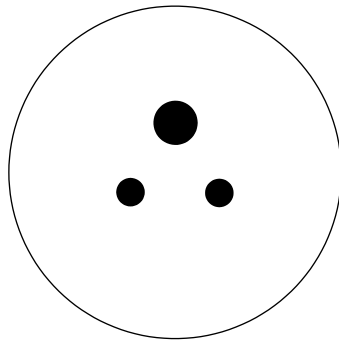
**Bespoke
LED solutions
available
on request**



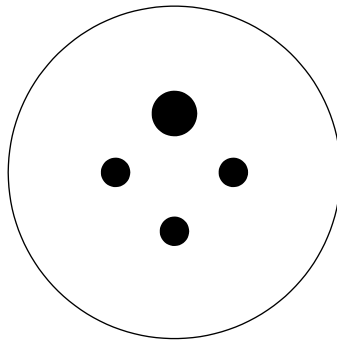




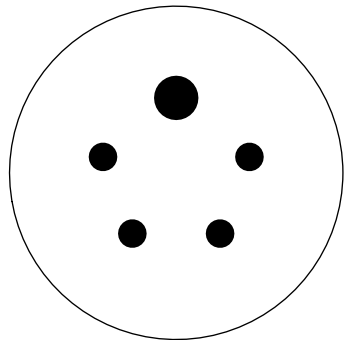
5A BS 546 pattern 3 pin



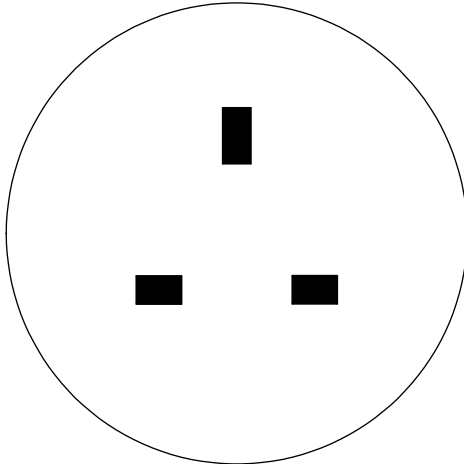
5A Walsall Gauge 3 pin



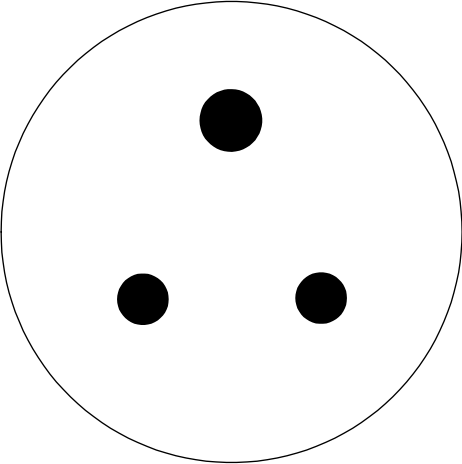
5A Walsall Gauge 4 pin



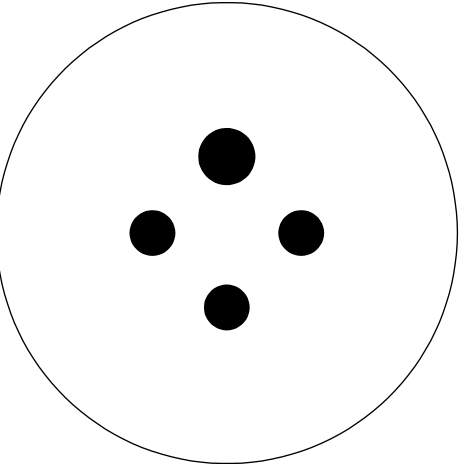
5A Special Gauge 5 pin



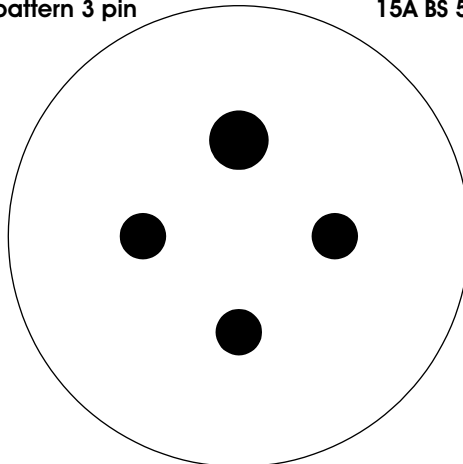
13A BS 546 pattern 3 pin



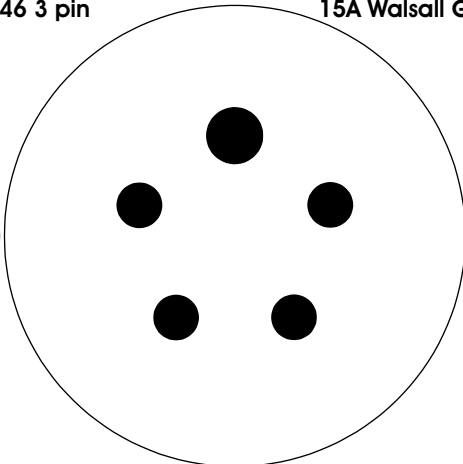
15A BS 546 3 pin



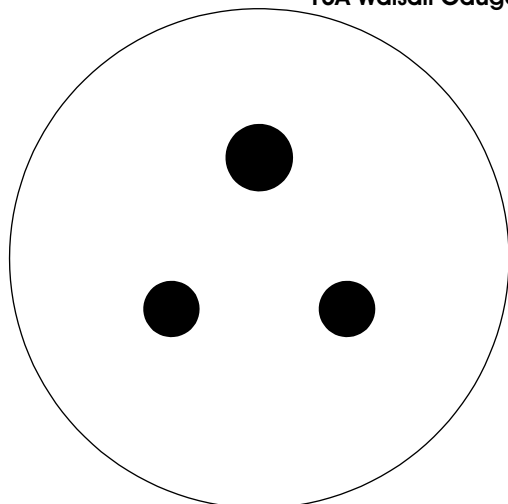
15A Walsall Gauge 'A' 4 pin



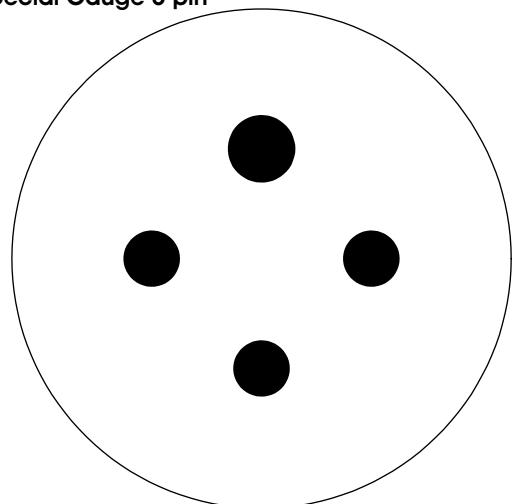
15A Walsall Gauge 'B' 4 pin



15A Special Gauge 5 pin



30A Special Gauge 3 pin



30A Special Gauge 4 pin



Palazzoli
GROUP

Metal Products **RANGE**

**Ready for use combinations
and custom made solutions**

More information contact your Lewden Regional Sales Manager
Tel: 01376 336 200 - Fax: 01376 322 161 - sales@lewden.co.uk - www.lewden.com