



The Electricians' Choice



ISOLATOR SWITCHES

Thermoplastic
Metal
Fire Rated
Switch Fuses & Switch Disconnectors

ISOLATOR SWITCHES



Rotary Switches in Technopolymer

1. Lockable Switch

The handle is lockable in the OFF position and the front cover interlocked in the ON position, assuring the maximum security against unauthorised interventions.

2. Full rated AC3 - AC23A switching category

The isolator Switch is AC3-AC23A at rated current permitting safe operation even with highly inductive loads (eg. Motors) (Excluding 100A).

3. Robust and wide enclosure

The enclosure is wider than the average on the market in order to achieve easier and faster wiring. The techno polymer construction ensures top level resilience to physical impact and chemicals.

*Flammability class V-0 (Switch) HB (enclosure).

Data sheet

Conformity to standards	IEC/EN 60947-3
Body material	Technopolymer
Ingress Protection Rating (IEC/EN 60529)	IP65
Colour	RAL7035 (enclosure) RAL1018 (cover) RAL3020 (handle)

Operating voltage	Up to 690V 50/60 Hz
Resistance to impacts (IEC/EN 62262)	IK08
Insulation class	II □
Glow Wire Resistance	960 °C Switch 650 °C Enclosure
Operating temperature	-25°C - +60°C

Range

Rated current (A)	Poles	Lewden code	Dimensions (HxWxD) mm
16	2	208162	158x121x126
	3	208163	158x121x126
	4	208164	158x121x126
25	3	208253	158x121x126
	4	208254	158x121x126
32	2	208322	158x121x126
	3	208323	158x121x126
40	4	208324	158x121x126
	3	208403	250x158x139
63	4	208404	250x158x139
	2	208632	250x158x139
100	3	208633	250x158x139
	4	208634	250x158x139
100	3	208103	250x158x139
	4	208104	250x158x139

Equipment included: with terminal cover.

Accessories

Auxiliary contacts for switches up to 16-100A (Max 2)

Contact type	Lewden code
1 NC Late Break	270326
1 NO Late Make	270327
1 NC Simultaneous	270330
1 NO Make/Break	270331
1 NO + 1 NC	270332

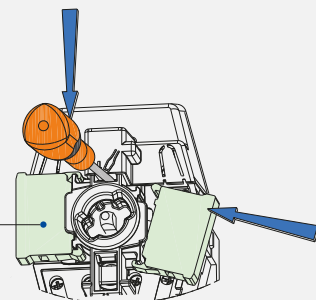
Characteristics: code 270332 is composed of 2 single contacts.

Rated operating current

Thermal current Ith	A	16	25	32	40	63	100	
AC21A	415V 500V	A	16	25	32	40	63	100
AC22A	415V 500V	A	16	25	32	40	63	100
AC23A	230V 400V 500V	A	16	25	32	40	63	63
AC23A	230V	KW	5.1	8.0	10.2	12.7	20.1	20.1
	400V		8.9	13.9	17.7	22.2	34.9	34.9
	500V		11.1	17.3	22.2	27.7	43.6	43.6
	690V		15.3	23.9	30.6	38.2	60.2	60.2
AC3	230V	KW	5.1	8.0	10.2	12.7	15.9	15.9
	400V		8.9	13.9	17.7	22.2	27.7	27.7
	500V		11.1	17.3	22.2	27.7	34.6	34.6
	690V		15.3	23.9	30.6	38.2	47.8	47.8

(50-60 Hz)

Terminal specifications:	16A	25A	32A	40A	63A	100A
Entry sections	mm ²	1 - 10			6 - 35	
Tightening torque	Nm	2			3	



ISOLATOR SWITCHES – METAL CLAD



16A - 125A die cast aluminium alloy

1. Full rated AC23A switching category

The isolator Switch is AC23A utilisation, permitting safe operation even with highly inductive loads (e.g. Motors).

2. Modular Construction

Options for switched or solid neutral pole & multiple auxiliary contacts.

3. Padlockable and door interlocked

Padlockable in the "off" position and door interlocked in the "on" position, increase security in the installation environment.



*Padlock not included

Data sheet

Conformity to standards	EN 60947-3 EN60529
Body material	Aluminum Alloy
Ingress Protection Rating (IEC/EN 60529)	IP67
Colour	RAL7046 (enclosure)

Operating voltage	Up to 690V 50/60 Hz
Resistance to impacts (IEC/EN 62262)	IK08
Insulation class	I
Glow Wire Resistance	960 °C Switch
Operating temperature	-25 to +55 °C

Range

Rated current (A)	Poles	Lewden code	Dimensions (HxWxD) mm
16	2	206162	150x105x129
	3	206163	150x105x129
	4	206164	150x105x129
25	2	206252	150x105x129
	3	206253	150x105x129
	4	206254	150x105x129
32	3	206323	150x105x129
	4	206324	150x105x129
40	2	206402	150x105x129
	3	206403	150x105x129
	4	206404	150x105x129
63	2	206632	200x135x129
	3	206633	200x135x129
	4	206634	200x135x129
80	3	206803	200x135x129
	4	206804	200x135x129
100	3	206103	320x205x156.6
	4	206104	320x205x156.6
125	3	206123	320x205x156.6
	4	206124	320x205x156.6

Rated operating current

Thermal current Ith	A	16	25	32	40	63	80	100	125
AC21A	415V								
	500V	A	16	25	32	40	63	80	100
AC22A	415V								
	500V	A	16	25	32	40	63	80	100
AC23A	415V			25	32	40	63	80	100
	500V	A	16	20	25	32	63	63	80
AC23A	415V			11	15	18.5	30	37	45
	500V	KW	7.5	11	15	18.5	30	37	45
(50-60 Hz)									

Terminal specifications:	16A	25A	32A	40A	63A	80A	100A	125A
Enclosed Switch	mm ²	0.75 - 6			1.5 - 25		10 - 50	
Switch Body	mm ²	0.75 - 10			1.5 - 35		10 - 70	

Accessories

Auxiliary Contacts*					
Part No.	Config.	Module Width (mm)	Parameters	Ui	Uimp
206911	1NO+1NC	9mm	AC-13:10A 230V~ AC-15:6A 230V~	600V	6kV

*Suitable for all models

Add on Neutral pole (unswitched)			
Part No.	Config.	Compatible with switches	width (mm)
206940	40A unswitched	16-40A	12
206980	80A unswitched	63-80A	17.5
206912	125A unswitched	100-125A	23.8



Add on blocks



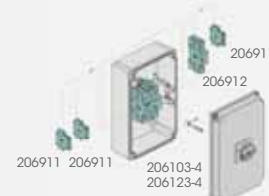
16-40A Switches

Maximum add on blocks
4x Auxiliary (206911) or
3x Auxiliary (206911) +
1 N pole (206940)



63-80A switches

Maximum add on blocks
4x Auxiliary (206911) or
2x Auxiliary (206911) +
1 N pole (206980)



100-125A Switches

Maximum add on blocks
4x Auxiliary (206911) or
3x Auxiliary (206911) +
1 N pole (206912)

FIRE RATED ISOLATOR SWITCHES



Fire rated F400 isolator switch in aluminium alloy

1. High visibility handle

The high visibility operating handle, patented by Palazzoli, allows even non-expert users to immediately understand the switch status.

2. Full rated AC3-AC23A category

The isolator Switch is AC3-AC23A at rated current that allows safe operation even with highly inductive loads (e.g. Motors).

3. Customisable entry flanges

Cable entries can be easily customised by using blind or threaded flanges.



Scan the QR code to explore our complete range of Isolator Switches.

Data sheet

Conformity to standards	EN 60947-3 / EN12101-3 (400°C for 120 minutes)
Body material	Aluminium alloy
Ingress Protection Rating (IEC/EN 60529)	IP66/IP67 (16A-63A) IP55 (125A-200A)
Colour	RAL7035 - Base RAL3020 - Cover

Operating Voltage	Up to 500V
Resistance to impacts (IEC/EN 62262)	IK10
Insulation class	I
Glow Wire Resistance	960 °C Switch
Operating temperature	-25°C - +70°C

Range

Rated current (A)	Poles	Lewden code	Dimensions (HxWxD) mm	Window Type
16	3	152130	125x92x138	blind walls
	4	152140		blind walls
	6	152160		blind walls
25	3	152230	185x125x173	blind walls
	4	152240		blind walls
	6	152260		blind walls
40	3	152330	252x185x230	blind walls
	4	152340		blind walls
	6	152360		blind walls
63	3	152430	252x185x230	blind walls
	4	152440		blind walls
	6	152460		blind walls
125	3	152530*	315x220x240	F3
	4	152540*		
160	3	152631*	315x220x240	F3
	4	152641*		
200	3	152630*	315x220x240	F3
	4	152640*		

Equipment included: earth terminal, inside and outside the box. Gasket.
* The protection rating is IP55. Wall-mounted isolator switches with windowed walls.
* 2xFlanges required from selection below.

Accessories

Flanges, in aluminium alloy with **metric thread** & **Blind Flange** flat, in steel for windowed walls

For windows	Threading type	Projection (mm)	Palazzoli code
F3	M40	51	540190
F3 (Blind)	-	6	540033

Cable glands in nickel-plated brass with **metric** threading **IP68**

Threading	Max mounting hole (mm)	Tightening diameter (mm)	Thread length (mm)	Palazzoli code	Pack Qty
M12x1,5	12,5	2,5-6,5	6,5	582012	100
M16x1,5	16,5	4,9-9,5	7	582016	50
M20x1,5	20,5	7-13	8	582020	50
M25x1,5	25,5	8-16	8	582025	25
M32x1,5	32,5	11-21	9	582032	20
M40x1,5	40,5	15-27	9	582041	10
M50x1,5	50,5	22-35	10	582050	5

METAL CLAD SWITCH DISCONNECTORS & FUSED SWITCH DISCONNECTORS



Switch Disconnecter or Fused Switch Disconnecter in Mild Steel.

1. Robust and wide IP65 Enclosures

Powder coated mild steel enclosures with a wide space for comfortable wiring, protected against the ingress of dust and water jets from all directions.

2. Fully rated to AC-23A category

The isolator switch is AC-23A at rated current that allows safe operation even with highly inductive loads (e.g. Motors, etc.).

3. Pad lockable and interlocked door

Increased security in the installation environment with the door padlock able in the 'OFF' position and interlocked in the 'ON' position.

Data sheet

Conformity to Standards	IEC60947-3	Operating voltage	Up to 690V 50/60 Hz
Body Material	Mild Steel	Resistance to impacts (IEC/EN 62262)	IK10
Ingress Protection Rating (EN60529)	IP65	Operating Temperature	
Colour	RAL 7035	Switch Disconnecter	-25 to +55°C
Insulation Class	I	Fused Disconnecter	-5 to +40°C

Switch disconnecter range

Rated current	Poles	Part Number	Part Number	Dimensions (HxWxD) mm
32A	3P+N	IS324P	Steel Rotary Isolator 32A AC 23A	250x250x150
63A	3P+N	IS634P	Steel Rotary Isolator 63A AC 23A	250x250x150
80A	3P+N	IS804P	Steel Rotary Isolator 80A AC 23A	250x250x150
100A	3P+N	IS1004P	Steel Rotary Isolator 100A AC 23A	300x250x150
125A	3P+N	IS1254P	Steel Rotary Isolator 125A AC 23A	300x250x150

Fused disconnecter range

Rated current	Poles	Part Number	Part Number	Dimensions (HxWxD) mm
32A	3P+N	FIS324P	Steel Fused Switch 32A AC 23A	300x250x150
63A	3P+N	FIS634P	Steel Fused Switch 63A AC 23A	400x300x150
80A	3P+N	FIS804P	Steel Fused Switch 80A AC 23A	400x300x150
80A	3P+N	FIS63804P	Steel Fused Switch 63A, 80A AC 23A	400x300x150
100A	3P+N	FIS1004P	Steel Fused Switch 100A AC 23A	500x300x150
125A	3P+N	FIS1254P	Steel Fused Switch 125A AC 23A	500x300x150
125A	3P+N	FIS1001254P	Steel Fused Switch 100A, 125A AC 23A	500x300x150

Rated operating current

Thermal current I _{th}		A	32	63	80	100	125
AC21A	415V						
	500V	A	32	63	80	100	125
	690V						
AC22A	415V						
	500V	A	32	63	80	100	125
	690V						
AC23A	415V		32	63	80	100	125
	500V	A	25	63	63	80	100
	690V		25	40	40	63	63
AC23A	415V		15	30	37	45	55
	500V	KW	15	30	37	45	55
	690V		15	30	37	45	55

(50-60 Hz)

Fuse Link and Fuse Holder Ratings

Part Number	Fuse Links included as standard	Fuse Link IEC60269-2 Cylindrical
FIS324P	3x 32A gG	10x38mm
FIS634P	3x 63A gG	
FIS804P	3x 80A gG	
FIS63804P	3x 63A gG / 3x 80A gG	22x58mm
FIS1004P	3x 100A gG	
FIS1254P	3x 125A aM	
FIS1001254P	3x 100A gG / 3x 125A aM	

gG: General Purpose Fuse

aM: Motor Protection Fuse

Switch Terminal Capacity line/load (min/max)

32A	0.75-10 mm ²
63A-80A	1.5-35 mm ²
100A-125A	10-70 mm ²

Fuse Holder Terminal Capacity line/load (min/max)

32A	1-25 mm ²
63A-100A	4-50 mm ²
125A	4-50 mm ²

SWITCH DISCONNECTORS & SWITCH FUSES



In Steel or GRP Enclosure Options.

1. Robust and wide Enclosure

Powder Coated Steel or GRP Enclosure options guarantee high impact resistance and optimal chemical performances, and wide space for comfortable wiring.

2. Padlockable and door interlocked

Being Padlockable in the "off" position door interlocked in the "on" position, increases security in the installation environment.

3. IP65 Protection Rating

Every enclosure is protected from dirty and dusty environments and water jets from all directions.

Data sheet

Conformity to standards	IEC/EN 60947-3	Operating voltage	Up to 690V 50/60 Hz
Body material	Mild Steel or GRP (AlSi304 stainless Steel available on request)	Resistance to impacts (IEC/EN 62262)	> IK10
Ingress Protection rating (IEC/EN 60529)	IP65	Insulation class	I Steel II GRP ☐
Colour	RAL7035	Fuse Type	BS88 Fuse cartridges (gG)
		Operating temperature	- 5 °C - + 40°C

Switch Disconnectors Range

Rated current (A)	Poles	Material	Lewden code	Dimensions (HxWxD) mm
100A	3+N	Steel*	207211	500x400x200
	3+N	GRP	207221	505x450x220
125A	3+N	Steel*	207212	500x400x200
	3+N	GRP	207222	505x450x220
160A	3+N	Steel*	207213	500x400x200
	3+N	GRP	207223	430x340x180
200A	3+N	Steel*	207214	500x400x200
	3+N	GRP	207224	505x450x220
250A	3+N	Steel*	207215	600x400x200
315A	3+N	Steel*	207216	700x500x200
400A	3+N	Steel*	207217	700x500x200
630A	3+N	Steel*	207218	800x600x300

3+N = 3 switched poles + Bolted neutral disconnection link.

Switch Disconnectors

Technical data according to IEC60947-3	100A	125A	160A	200A	250A	315A	400A	630A
Rated operational current up to 690vac AC21A / AC22A	100A	125A	160A	200A	250A	315A	400A	630A
Rated operational current up to 400Vac AC23A	100A	125A	160A	200A	250A	315A	400A	630A
Rated operational power AC23 up to 400Vac	52kW	65kW	85kW	105kW	130kW	165kW	210kW	330kW
Rated breaking capacity in category AC23 up to 400Vac	800A	1000A	1280A	1600A	2000A	2520A	3200A	5040A
Mechanical endurance operations	12000	10000	10000	10000	10000	8000	8000	8000
Bolted lug type terminal connection size (metric thread)	M6	M6	M8	M8	M8	M10	M10	M12
Neutral link size	250A	250A	250A	250A	250A	630A	630A	630A

Switch Fuses

Technical data according to IEC60947-3	100A	125A	160A	200A	250A	315A	400A	630A
Rated operational current 400Vac AC21A / AC22A / AC23A	100A	125A	160A	200A	250A	315A	400A	630A
Rated operational power AC23 @ 400Vac	52kW	65kW	85kW	105kW	130kW	165kW	210kW	330kW
Rated breaking capacity in category AC23 (UPTO 400Vac pf 0.35) (0.45*)	800A*	1000A	1280A	1600A	2000A	2520A	3200A	5040A
Mechanical endurance operations	8000	8000	8000	7000	7000	7000	7000	4000
Bolted lug type terminal connection size (metric thread)	M8	M8	M8	M10	M10	M12	M12	M12
Fuse size (BS88 part 2) Breaking capacity 80KA @400Vac	TCP100	CTFP125	CTFP160	CTFP200	TKF250	TKF315	TMF400	TTM630
Fuse cartridge size (BS88 part 2)	A4	A4	A4	B2	B3	B3	B4	C2
Neutral link size	250A	250A	250A	250A	250A	630A	630A	630A

*Two poles in series



Die Cast Aluminium Switches



Switches in Technopolymer



Fire Rated Switches



Switch Disconnectors & Switch Fuses



Switched Interlocked Sockets

The most suitable solution
for every environment,
for every need



Multi-diagram
control Switches



Hazardous Areas
Switches



Heavy Duty
Switches GRP



Heavy Duty
Switches
Aluminium



The Electricians' Choice

For more information contact your local Lewden Regional Sales Managers & agents

Chris Smith (+44) 7919 922910 Core Electrical N.I. (+44) 028 9002 0066 Kate Knox (+44) 7515 559 552	Iain Taggart (+44) 7540 100 861 Lee Mallett (+44) 7736 694876 Richard Cotton (+44) 7399 521126	Ricky Hull (+44) 7976 934 326 Tim Ketterer (+44) 7557 655045 Tony Howard (+44) 7973 334647
--	---	---



SAFETY IS NOT A GAME



SCAN TO VIEW THE LIST OF OUR PLATINUM & GOLD STOCKISTS FOR FULL NATIONWIDE COVERAGE.



SCAN TO ACCESS CONTACT DETAILS OF OUR SALES DESK FOR ALL GENERAL ENQUIRIES.

Midlands	North	South West & Wales	London South & South East	London North & East Anglia	Scotland
LN	BB	BA	BN	AL	HS
NG	BD	BH	BR	CB	IV
LE	BL	BS	CR	CM	AB
NN	CA	DT	CT	CO	PH
CV	DH	EX	DA	E	DD
B	DL	GL	GU	EN	PA
DE	DN	GY	KT	HA	FK
DY	HD	JE	ME	HP	KY
ST	HG	PL	PO	IG	KA
TF	HU	SN	RG	IP	G
WR	HX	SP	RH	LU	EH
WS	L	TA	SE	MK	TD
WV	LA	TQ	SL	N	KA
	LS	TR	SM	NR	DG
	M	OX	SO	NW	IM
	NE	NP	SW	RM	
	OL	CF	TN	SG	
	PR	SA	TW	SS	
	S	HR	UB	WD	
	SK		EC	WT	
	TS		WC		
	WA		W		
	WF				
	WN				
	YO				
	FY				
	SR				
	LL				
	CH				
	CW				

Northern Ireland
BT



The Electricians' Choice

LEWDEN LTD
Unit 4, Bradbury Drive,
Springwood Industrial Estate,
Braintree
Essex
CM7 2SD

Tel.: +44 (0) 1376 336 200
sales@lewden.co.uk

www.lewden.com



For instant access to technical support through our team of expert engineers.