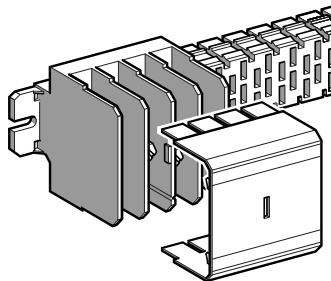


### Busbar systems

The busbar system can be screw-mounted onto any type of support. However, if it is to be used in conjunction with component mounting plates incorporating a tap-off, it is essential that it is mounted on the AM1 DL201 rail. When mounting tap-offs, the rated operational current of the busbar system should be taken into account: 160 A at 35 °C.



AK5 JB1●●

Number of conductors	Number of tap-offs at 18 mm intervals	Length mm	Suitable for mounting in enclosure width mm	Reference	Weight kg
4 (1)	12	344	600	AK5 JB143	0.700
	18	452	800	AK5 JB144	0.900
	24	560	800	AK5 JB145	1.100
	30	668	800	AK5 JB146	1.300
	48	992	1200	AK5 JB149	1.900
	54	1100	1200	AK5 JB1410	2.100

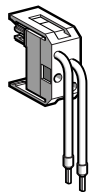
### Omega rail, width 75 mm

This rail is designed to accommodate the busbar system when it is used with AK5 PA mounting plates incorporating tap-offs. It supports the busbar system. The plates simply clip onto the rail.

Material and surface treatment	Depth mm	Length mm	Sold in lots of	Unit reference	Weight kg
2 mm sheet steel	15	2000 (4)	6	AM1 DL201	3.000

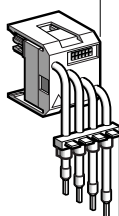
### Removable power sockets

Use	Number of points used on the busbar system	Thermal current A	Cable lengths mm	Sold in lots of	Unit reference	Weight kg	
Single-phase + Neutral	1	16	200	6 (2)	AK5 PC12	0.035	
		32	1000	6 (2)	AK5 PC32L	0.040	
2-phase	1	16	200	6 (3)	AK5 PC12PH	0.035	
		32	1000	6 (3)	AK5 PC32LPH	0.040	
3-phase	2	16	200	6	AK5 PC13	0.040	
			32	250	6	AK5 PC33	0.045
			1000	6	AK5 PC33L	0.060	
3-phase + Neutral	2	16	200	6	AK5 PC14	0.045	
			32	250	6	AK5 PC34	0.050
			1000	6	AK5 PC34L	0.065	
3-phase + common	2	16 10 (common)	200	6	AK5 PC131	0.045	
			32	250	6	AK5 PC331	0.050
			10 (common)				



AK5 PC12

AK5 PC14



AK5 GF1

### Accessories

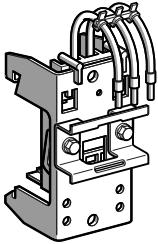
Description	Maximum no. of connections	C.s.a. mm <sup>2</sup>	Sold in lots of	Unit reference	Weight kg
Cable guide	4	2.5 or 4	20	AK5 GF1	0.300

(1) 4-pole: 3-phase + Neutral or 3-phase + Common.

(2) Total of 6 sockets supplied: 2 sockets (N + L1), 2 sockets (N + L2), 2 sockets (N + L3).

(3) Total of 6 sockets supplied: 2 sockets (L1 + L2), 2 sockets (L1 + L3), 2 sockets (L2 + L3).

(4) Cut and drill to suit use.

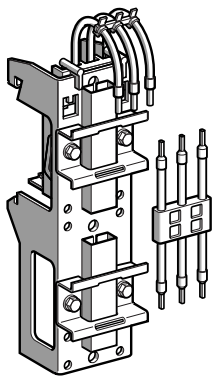


AK5 PA231

### Component mounting plates incorporating tap-off

#### Single plate (height 105 mm)

Use	No. of 18mm points used on the busbar system	Phase	Thermal current A	Number of U-rails for component support	Reference	Weight kg
Single-phase + neutral	3	Ph1+N	25	1	AK5 PA211N1	0.135
		Ph2+N	25	1	AK5 PA211N2	0.135
		Ph3+N	25	1	AK5 PA211N3	0.135
2-phase	3	Ph1+Ph2	25	1	AK5 PA211PH12	0.135
		Ph1+Ph3	25	1	AK5 PA211PH13	0.135
		Ph2+Ph3	25	1	AK5 PA211PH23	0.135
3-phase	3	–	25	1	AK5 PA231	0.140
3-phase + common	3	–	25	1	AK5 PA2311	0.145
3-phase + neutral	3	–	25	1	AK5 PA241	0.145



AK5 PA232

#### Double plate (height 190 mm)

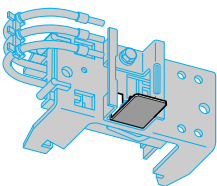
Prefabricated 25 A connectors are supplied for connecting the 2 protection and control devices.

Use	No. of 18mm points used on the busbar system	Phase	Thermal current A	Number of U-rails for component support	Reference	Weight kg
Single-phase + neutral	3	Ph1+N	25	2	AK5 PA212N1	0.135
		Ph2+N	25	2	AK5 PA212N2	0.135
		Ph3+N	25	2	AK5 PA212N3	0.135
2-phase	3	Ph1+Ph2	25	2	AK5 PA212PH12	0.135
		Ph1+Ph3	25	2	AK5 PA212PH13	0.135
		Ph2+Ph3	25	2	AK5 PA212PH23	0.135
		–	25	2	AK5 PA232	0.230
3-phase	3	–	25	2	AK5 PA232S	0.600
	6	–	25	2	AK5 PA532	0.700
	–	50	1	AK5 PA532	0.700	
3-phase + neutral	3	–	25	2	AK5 PA242	0.230
3-phase + common	3	–	25 (10 common)	2	AK5 PA2312	0.235
	6	–	25 (10 common)	2	AK5 PA2312S	0.610
	–	50 (10 common)	1	AK5 PA5312	0.710	
3-phase + neutral	6	–	50	1	AK5 PA542	0.715

### Extension plates

These plates bolt onto the equipment support plates, after having removed them from the rails, to be able to mount wider components.

Use		Number of tap-offs at 18 mm intervals	Reference	Weight kg
For mounting plates incorporating tap-off	Single	4	AK5 PE17	0.100
	Double	4	AK5 PE27	0.150



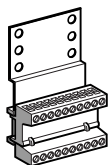
AK5 BT01

### Side stop (AK5 JB mounted vertically)

Use	Sold in lots of	Unit reference	Weight kg
For extension plate	50	AK5 BT01	0.005

### Control terminal blocks

Description	Thermal current A	Sold in lots of	Unit reference	Weight kg
<b>10-pole terminal blocks, for screwing onto plate AK5 PA●●●</b>				
	10	10	AK5 SB1	0.065
<b>10-pole front connecting plug-in terminal blocks which can be clipped onto 25 U-rails</b>				
Fixed part	10	10	AB1 DV10235U	0.047
Moving part	10	10	AB1 DVM10235U	0.021



AK5 SB1

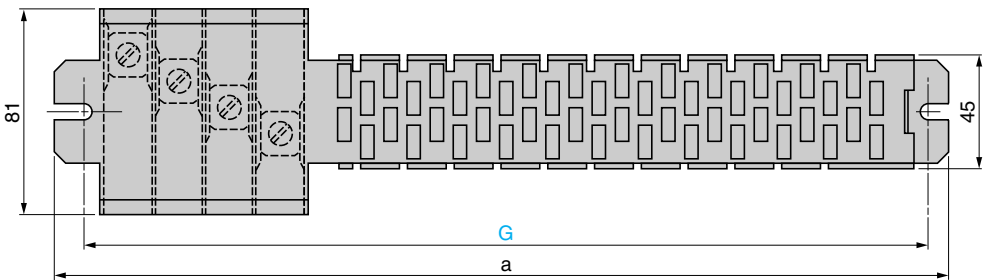
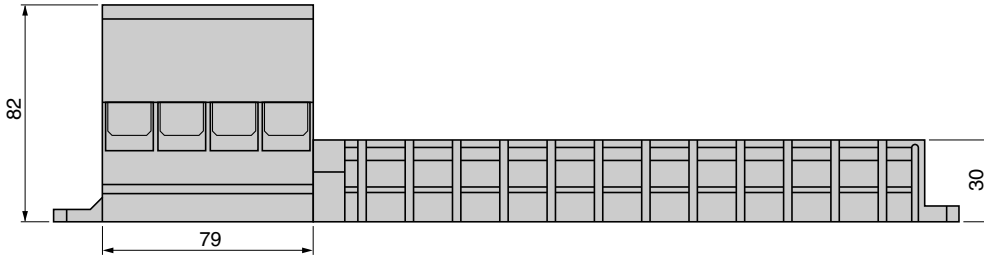
### Accessories

Description	Marking	Sold in lots of	Unit reference	Weight kg
<b>Strips of clip-in markers</b>				
10 identical numbers, signs or capital letters per strip	0...9	25	AB1 R● (1)	0.050
	+	25	AB1 R12	0.050
	–	25	AB1 R13	0.050
	A...Z	25	AB1 G● (1)	0.050

(1) Replace the ● in the selected reference with the number or letter required. Example: AB1 R1 or AB1 GA.

**Busbar systems**

**AK5 JB●●●**

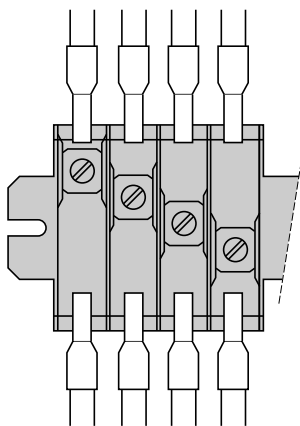


AK5	a	G	No. of 18 mm points
JB143	344	330	12
JB144	452	438	18
JB145	560	546	24
JB146	668	654	30
JB149	992	978	48
JB1410	1100	1086	54

**Busbar feed units**

**AK5 JB●●●**

**Installation of AK5 JB●●● busbar systems**



Connection	C.s.a. in mm <sup>2</sup>	
	min	max
Flexible cable with or without cable end		
	1 x 2.5 2 x 2.5	1 x 70 (1) 2 x 35
Flexible bar		
	-	2 x (9 x 4)
Flexible bar		
	9 x 4 +	9 x 4 +
+ flexible cable with or without cable end	1 x 2.5	1 x 35

(1) Maximum c.s.a. or connection of conductor without cable end.

**Removable power sockets 16 and 32 A**

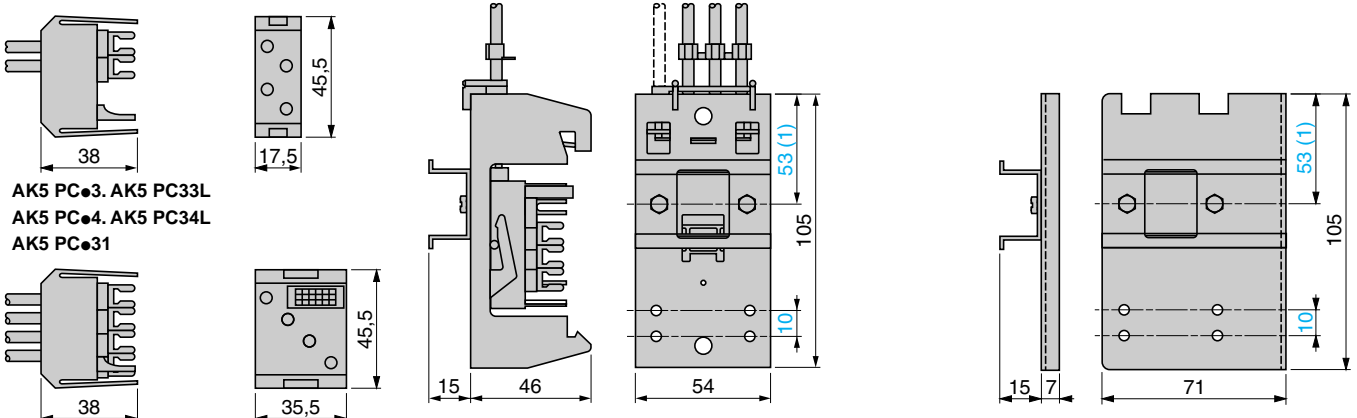
**AK5 PC12●. AK5 PC32L●**

**Mounting plates incorporating tap-offs, 25 A**

**AK5 PA2●1. AK5 PA2311. AK5 PA211●●●●**

**Single width extension plates**

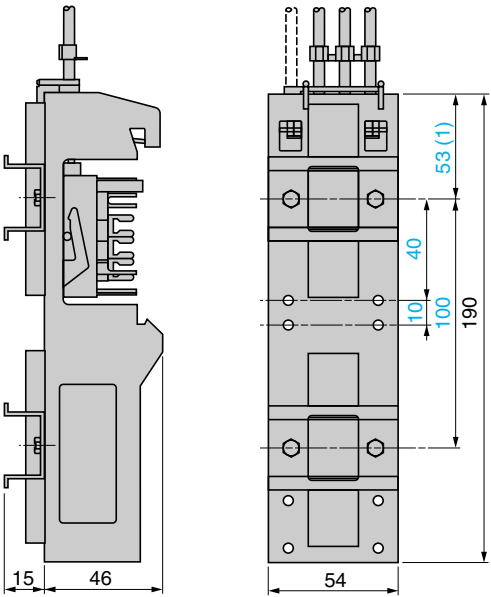
**AK5 PE17**



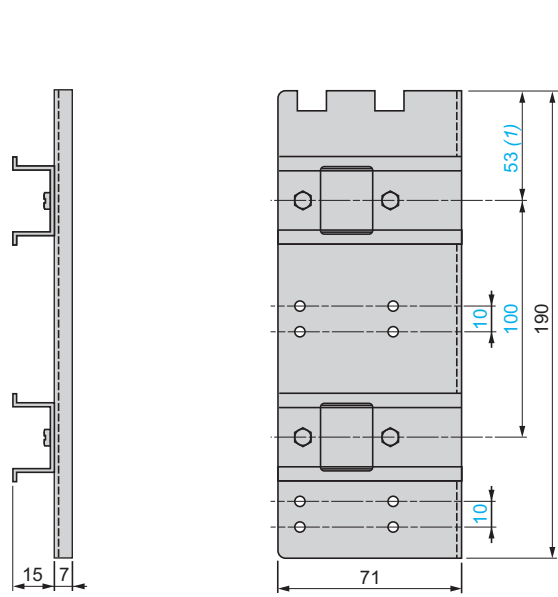
**Note:** It is recommended that the power sockets or the removable plates are connected as close as possible to the busbar feed unit.

(1) Can be fixed at 43 mm

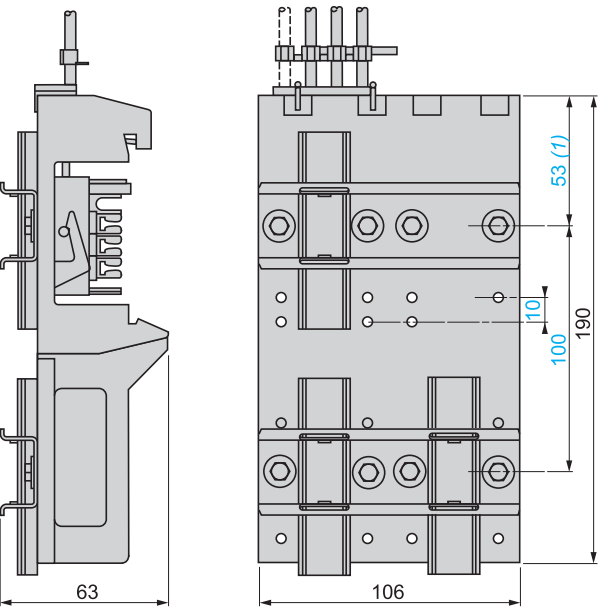
**Component mounting plates incorporating tap-off**  
AK5 PA232. AK5 PA2312. AK5 PA242



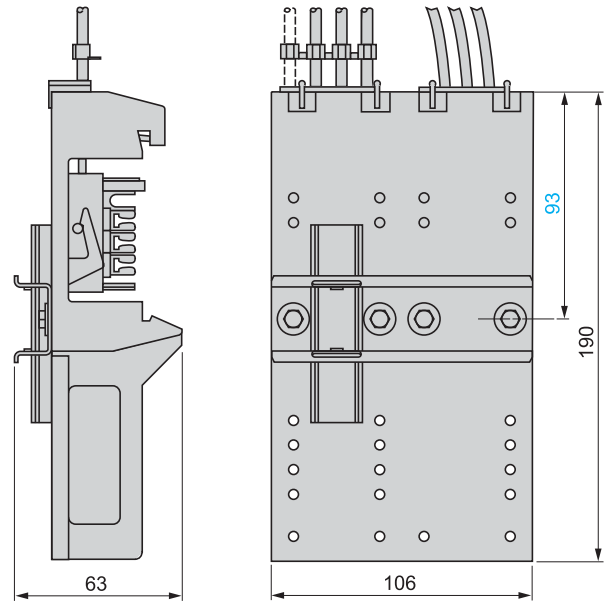
**Double extension plate**  
AK5 PE27



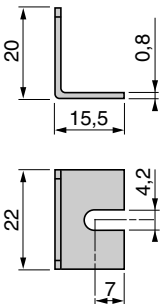
**Component mounting plates incorporating tap-off**  
AK5 PA232S. AK5 PA2312S



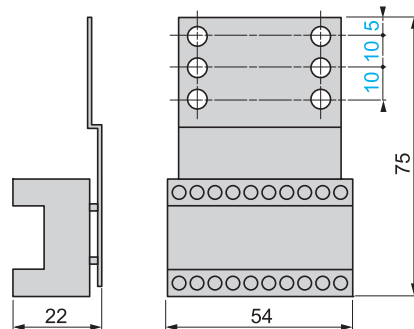
AK5 PA532. AK5 PA5312. AK5 PA542



**Side stop**  
AK5 BT01



**Control terminal block**  
AK5 SB1



(1) Can be fixed at 43 mm