

# Power supplies and transformers

Regulated switch mode power supplies

Phaseo Universal range: Function modules

Solutions to microbreaks and power outages



ABL 8BUF24400



ABL 8BBU24200

## References

### Function modules

Function	Use	Designation	Reference	Weight kg
Continuity after a power outage	Holding time 100 ms at 40 A and 2 s at 1 A	Buffer module	ABL 8BUF24400	1.200
	Holding time 9 min at 40 A...2 hrs at 1 A (depending on use with a battery control module-battery unit and load) (1)	Battery control module 20 A output current	ABL 8BBU24200 ▲	0.500
		Battery control module, 40 A output current	ABL 8BBU24400 ▲	0.700
		3.2 Ah battery module (2)	ABL 8BPK24A03 ▲	3.500
		7 Ah battery module (2)	ABL 8BPK24A07 ▲	6.500
		12 Ah battery module (2)	ABL 8BPK24A12 ▲	12.000

### Separate and replacement parts

Designation	Description	Composition	Unit reference	Weight kg
Fuse assemblies	For ABL 8BKP24A battery	4 x 20 A and 6 x 30 A	ABL 8FUS02	-
Clip-on marker labels	All products except ABL 8PR24100	Order in multiples of 100	LAD 90	0.030
Kit for mounting on rail	For ABL 8BPK2403 Battery module	Single unit	ABL 1A02	-
EEPROM memory	Backup and duplication of ABL8 BBU parameters	Single unit	SR2 MEM02	0.010

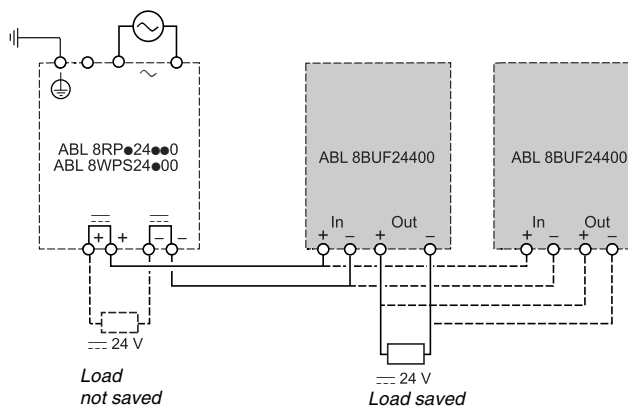
(1) For table of compatibility of battery control module-battery unit with holding time depending on the load, see page 39.

(2) Supplied with 20 or 30 A fuse depending on the model

▲ Available 1<sup>st</sup> quarter 2008

## Schemes of use with a Universal range power supply

### With ABL 8BUF24400 Buffer module



### With ABL 8BBU2400 Battery control module

