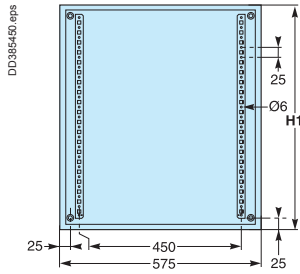
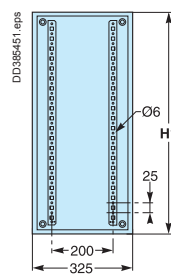


IP55

Wall-mounted enclosures

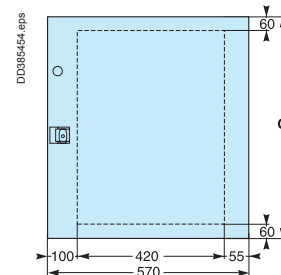
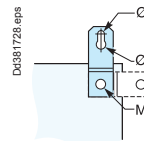
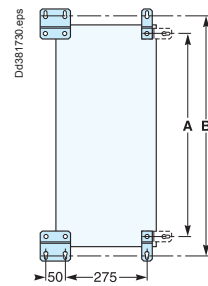
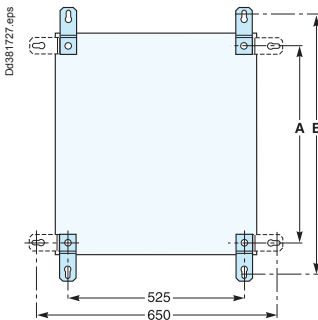
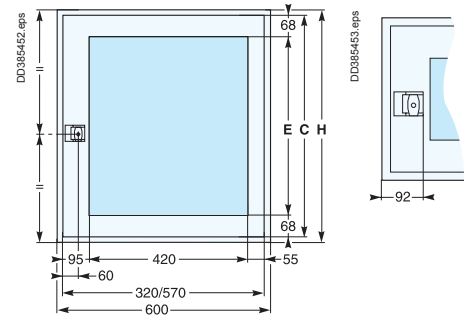


Ducts



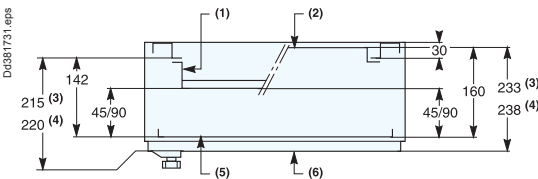
Nb. of vertical modules	H1	A	B
7	425	375	525
11	625	575	725
15	825	775	925
19	1025	975	1125
23	1225	1175	1325
27	1425	1375	1525
33	1725	1675	1825

Doors

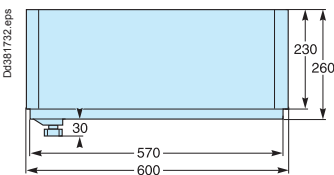


Surface utile

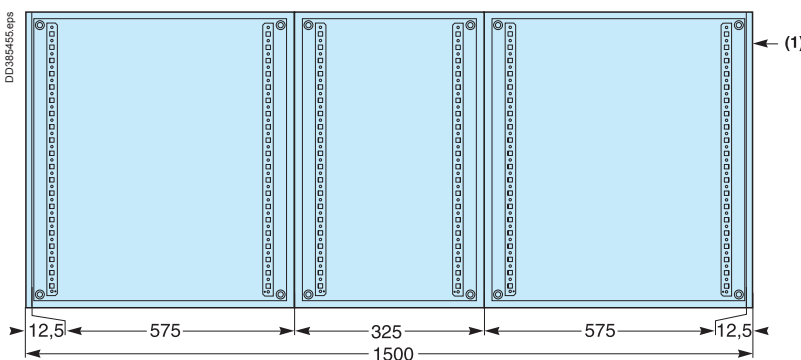
Nb. of vertical modules	C	E	H
7	420	284	450
11	620	484	650
15	820	684	850
19	1020	884	1050
23	1220	1084	1250
27	1420	1284	1450
33	1720	1584	1750



- (1) Multifix rail.
- (2) Recessed slotted mounting plate.
- (3) Transparent door.
- (4) Plain door.
- (5) Front plate.
- (6) Door.



Enclosure combinations



Canopy

