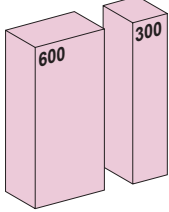
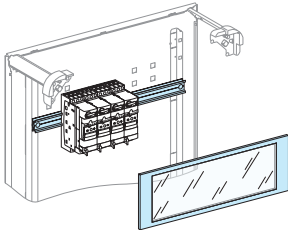
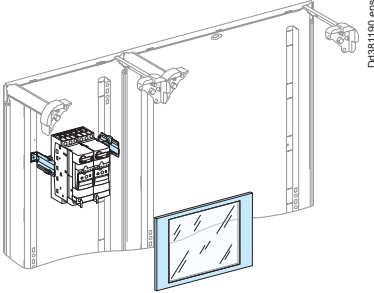


Tesys U starter-controller

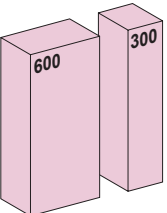
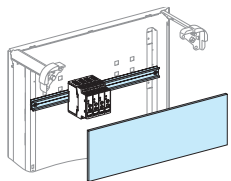
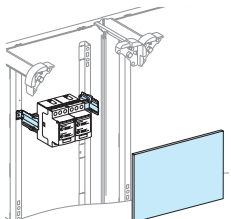
Mounting	For 600 mm wide enclosures		For 300 mm wide duct	
				
Devices	TeSys U	TeSys U ⁽¹⁾	TeSys U	TeSys U ⁽¹⁾
Useful length for rail	432 mm	432 mm	180 mm	180 mm
Nb. of vertical modules	5	4	5	4
Rail	03004 (in rear)	03004 (in rear)	03011 (adjustable)	03011 (adjustable)
Front plates	transparent	03342 [4] ⁽²⁾	03352 [4] ⁽²⁾	03352 [4] ⁽³⁾
[Nb. of vertical modules]	plain	03801 [1]	03811 [1]	-

⁽¹⁾ TeSys U without communication module, neither auxiliary contact, neither inverter module.

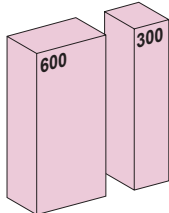
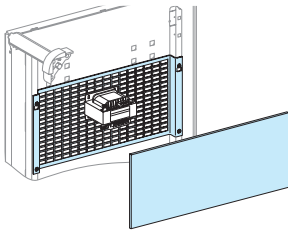
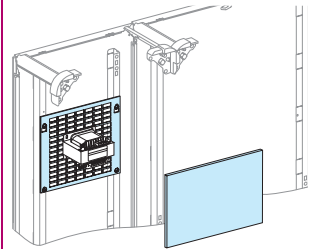
⁽²⁾ If the communication module is installed, the transparent front plate is mandatory. If not, the 2 front plates can be replaced by one plain front plate (cat.no 03805 in wall-mounted or floor-standing enclosure, 03815 in duct).

⁽³⁾ Or plain front plate (cat.no 03804 in wall-mounted or floor-standing enclosure, 03814 in duct).

Soft starters Altistart 01

Mounting	For 600 mm wide enclosures				For 300 mm wide in duct	
						
Devices	On rail				On recessed slotted mounting plate	
	ATS01N103FT ATS01N106FT	ATS01N109FT ATS01N112FT ATS01N206 to 212	ATS01N222 to 232	ATS01N230LY ATS01N244LY ATS01N244Q	ATS01N272LY, ATS01N285LY ATS01N272Q, ATS01N285Q	ATS01N103FT ATS01N106FT
Number of devices per row	19	9	9	2	2	19
Useful length	432 mm	432 mm	432 mm	432 mm	420 mm	180 mm
Nb. of vertical modules	4	5	6	5	6	4
Rail	03004 (in rear)	03003	03003	03003	-	03011 (adjustable)
Slotted plate	-	-	-	-	03172	-
Plain front plate	03804	03805	03806	03805	03806	03814

Supply and LV/LV Phaseo transformer

Mounting	For 600 mm wide enclosures	For 300 mm wide in duct
		
Devices	On recessed slotted mounting plate	On slotted plate
	ABL6TS/TD, ABL6-RF	ABL6TS/TD, ABL6-RF
Useful length for mounting plate	420 mm	172 mm
Nb. of vertical modules	4	4
Slotted plates	03171	03175
Plain front plate	03804	03814