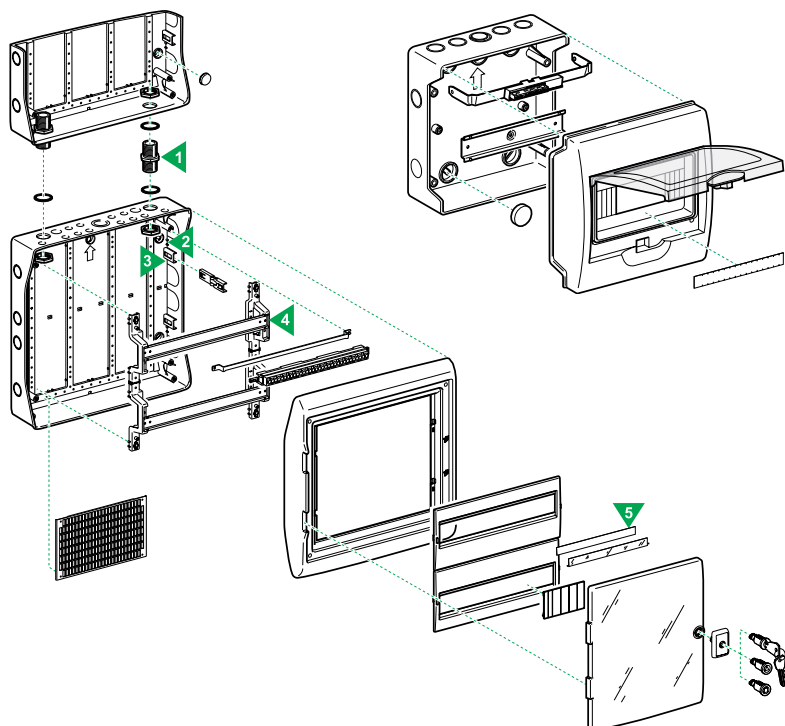
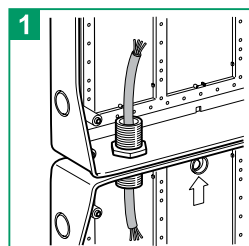


Enclosures and mini enclosures for modular switchgear

Kaedra

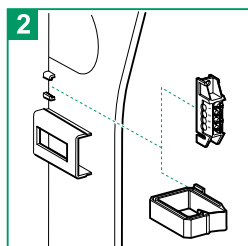


A few tricks



Add-on possibility

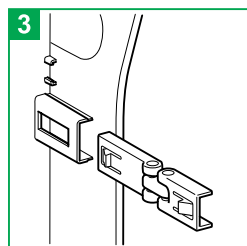
Enclosures can be horizontally or vertically associated keeping the IP65 and allowing cable insertion.



Dovetails

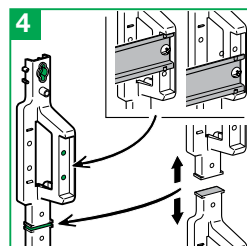
Arranged on the back and on the chassis, they can accommodate:

- 4-hole terminal blocks
- wiring straps.



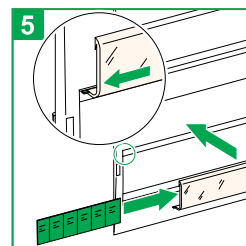
Back/front face hinges

Clipped onto the right or left, they simplify cabling and working on the interface zone.



Chassis

- DIN symmetrical rails positionable in 2 depths and 2 heights to privilege cabling room
- Chassis that can be severed to install a mounting plate on the back



Marking

Clip-on label covers ensure neat, quick and upgradeable marking.

Mechanical data

Enclosure

- Reversible front face for opening of door to the left or right
- Inside depth available for installation of non-modular switchgear between the slotted mounting plate and the plain front plate: 100 mm
- Reversible front plate according to distance between axes of rails (125, 150, 175 mm)

Mini enclosure

- Clip-on terminal block support
- Back with dovetail to accommodate 4-hole terminal block and wiring strap.

Technical data

- Self-extinguishing insulating material
- Operating temperature: -25 °C to +60 °C
- Colour: light grey RAL 7035 and transparent green door
- IP65 as per IEC 60529
- IK09 as per EN 50102
- Class 2: total insulation
- Flame and abnormal heat resistance: 650 °C as per IEC 60695-2-1
- Complies with standard IEC 60439-3
- Resistance to chemicals and atmospherics agents: see PAGE 93140.