

Protection

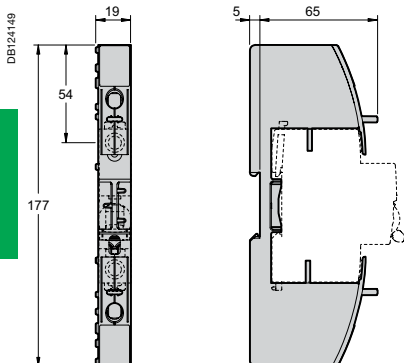
Circuit protection

Earth leakage protection

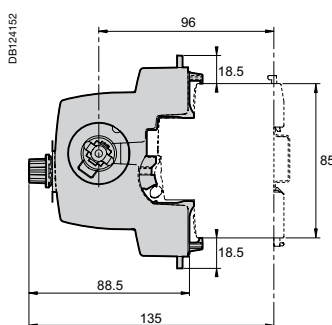
Accessories for iC60, iID, iDPN Vigi, Reflex iC60, RCA, ARA, iSW (cont.)

Dimensions (mm)

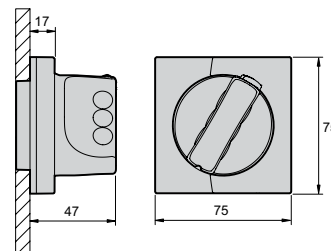
2



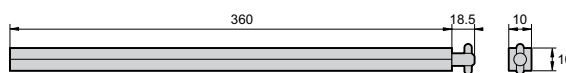
Plug-in base



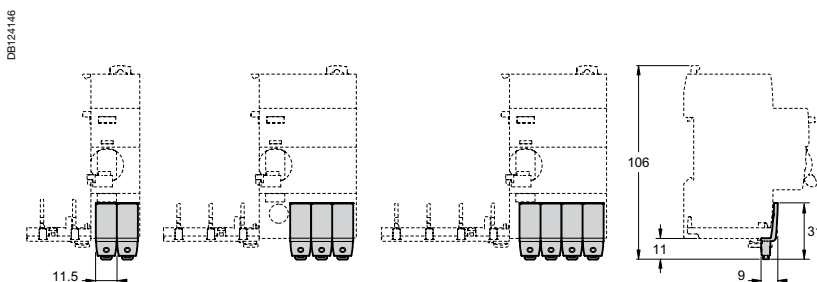
Adapter mechanism



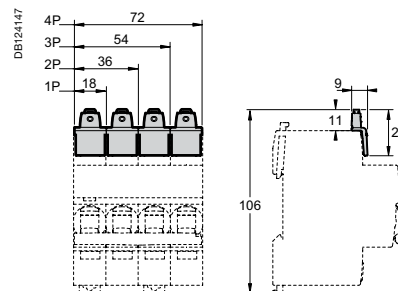
Handle



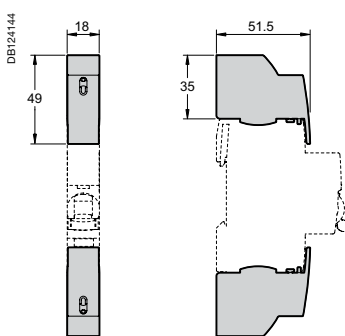
Rotary handle



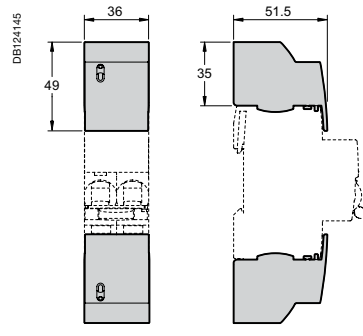
Screw shield 1P (A9A26982)



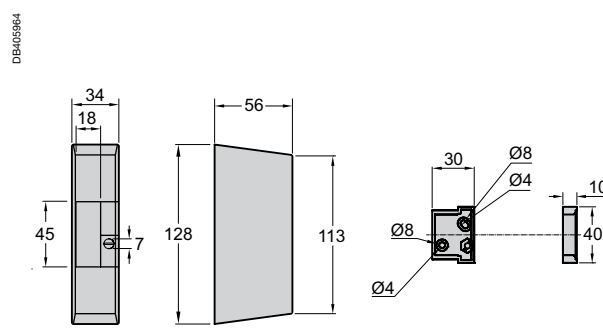
Screw shield 4P (A9A26981)



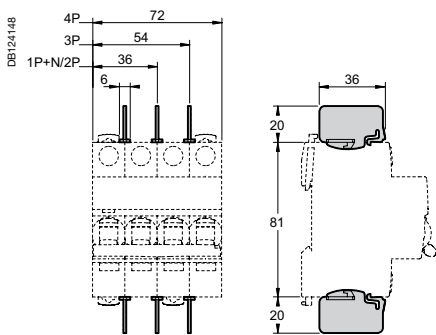
Terminal shield 1P



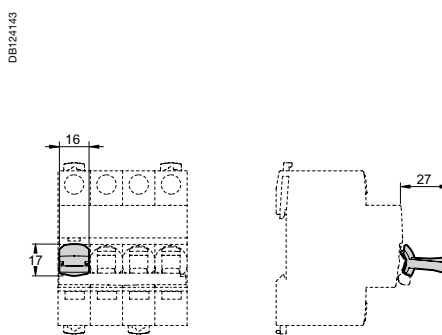
Terminal shield 2P



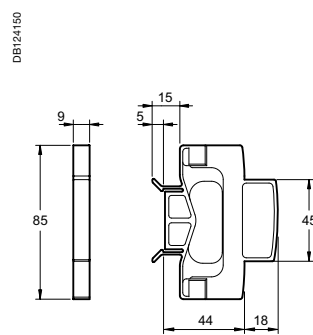
Wall mounted



Inter-pole barrier



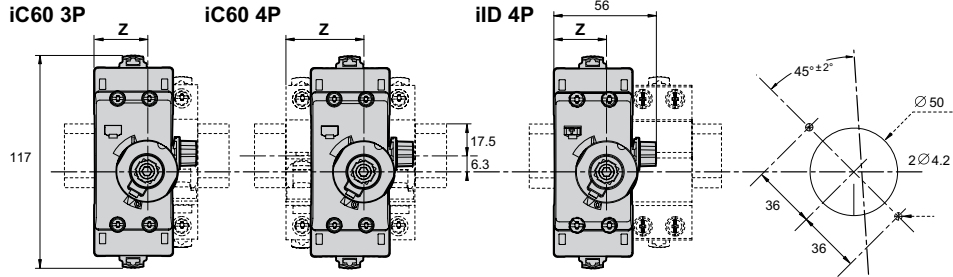
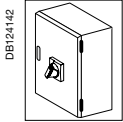
Padlocking device



Spacer

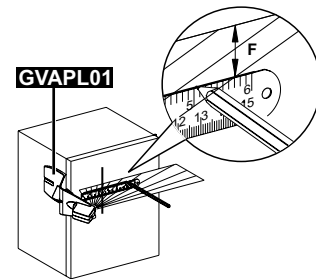
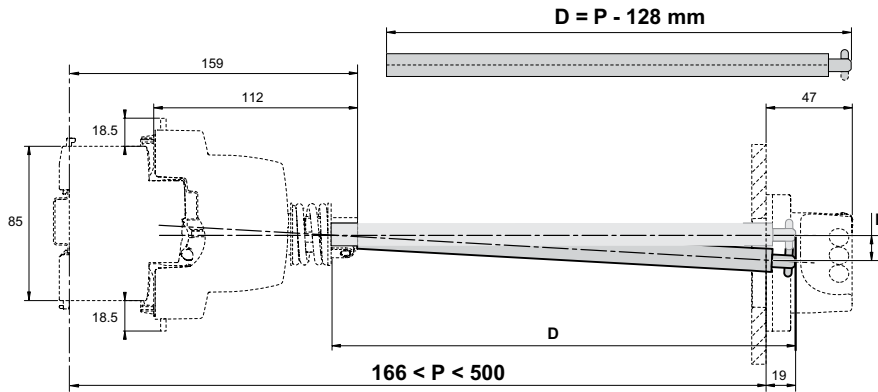
Rotary handle installation

Dimensions (mm)



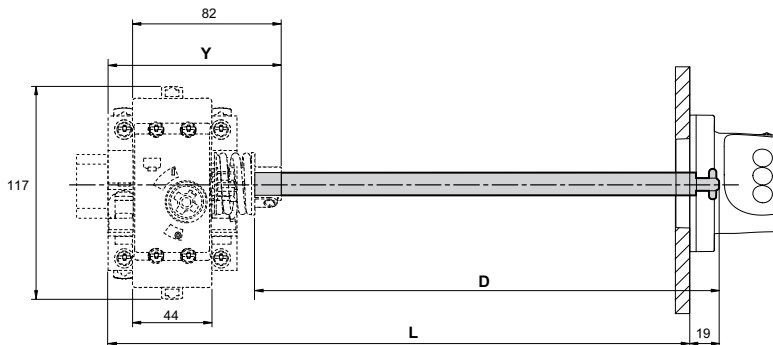
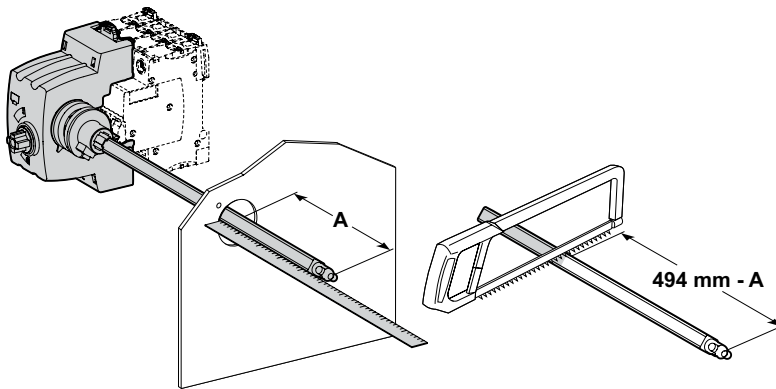
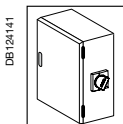
iC60	Z (mm)
2P	25.3
2P + Vigi	25.3
3P	25.3
3P + Vigi	43
4P	43
4P + Vigi	43

iID	Z (mm)
2P	25.3
4P	25.3



P (mm)	F (mm)
300	5
500	11

Rotary handle: front mounted control



iC60	X (mm)	Y (mm)
2P	44.5	76.8
2P + Vigi	44.5	76.8
3P	44.5	76.8
3P + Vigi	62	94.5
4P	62	94.5
4P + Vigi	62	94.5

iID/iSW-NA	X (mm)	Y (mm)
2P	44.5	76.8
4P	44.5	76.8



Rotary handle: side mounted control