
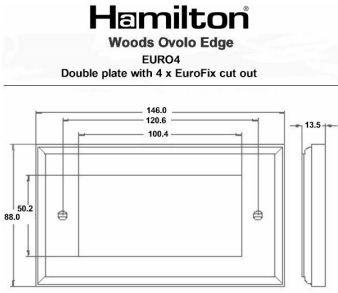


## WODEURO4

Woods Ovolo EuroFix Dark Oak Double Plate complete with 4 EuroFix Apertures 100x50mm and Grid

Item Image	Wiring	Dimensions
		 <p>Hamilton® Woods Ovolo Edge EURO4 Double plate with 4 x EuroFix cut out</p>
Primary Range	EuroFix	
Insert Type	4 Gang EuroFix 100x50mm Apertured Plate with Grid	
Plate Finish	Woods Ovolo EuroFix Dark Oak	
Insert Colour	No Insert Colour	
EAN13 Barcode	5017504339180	
Dimensions (Nominal)	Double: Height = 88.0mm Width = 146.0mm Depth = 13.5mm	
Fixing Hole Centres	Box Fixing = 120.6mm Grid Fixing = N/A	
Minimum Wall Box Depth	As Per Inserts	
Switched Poles	N/A	
IP Rating	N/A	
Contact Gap Minimum	N/A	
Earth Terminal Capacity 1	5 x 1mm <sup>2</sup>	
Earth Terminal Capacity 2	4x1.5mm <sup>2</sup>	
Earth Terminal Capacity 3	3 x 2.5mm <sup>2</sup>	
Earth Terminal Capacity 4	1 x 4mm <sup>2</sup> Multi-strand	
Earth Terminal Capacity 5	1 x 6mm <sup>2</sup>	
Product Class 1	Face plate must be earthed	
Recommended Location	Internal Use Only	
Maximum Installation Altitude	2000m	
Additional Notes	See EuroFix for a full range of inserts. Plates must be Earthed via the Earth Tag.	
Patents and Trademarks	EuroFix is a Registered Trade Mark No. 2560270	
<p>All products listed conform to current British or European standard and the product information is correct at the time of going to press.</p>	<p>All accessories are manufactured under an accredited BS EN ISO 9001 : 2015 Quality Management System.</p>	<p>It is the policy of the company to improve products as part of our development programme. Therefore, we reserve the right to alter designs and dimensions without prior notice.</p>
<p>Illustrations and diagrams are reproduced within the limitations of reproduction and printing process and are not binding.</p>	<p>Due to manufacturing processes we cannot guarantee an exact colour match and shadings of of certain finishes.</p>	<p>Correct as at 15 October 2018 09:10 AM E&amp;OE</p>

R Hamilton & Co Ltd, Unit 10 Carrick Business Centre, 4-5 Bonville Road, Brislington, Bristol, BS4 5NZ  
T: +44 (0)1747 860088 F: +44 (0)1179 710414  
E: info@hamilton-litestat.com www.hamilton-litestat.com

Registered Office 1 Rushmills, Bedford Road, Northampton NN4 7YB  
Registered in London No. 941624 VAT Registration No. 222 6607 84

