
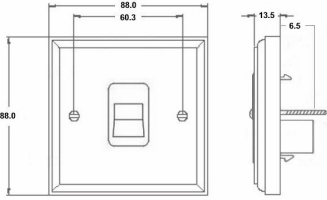


WOATCMW

Woods Ovolo Antique Mahogany 1 gang Telephone Master White

Item Image	Wiring	Dimensions																
	<table border="1" data-bbox="662 472 964 604"> <thead> <tr> <th>Pin No.</th> <th>BT Wiring Schedule Colour Codes:</th> </tr> </thead> <tbody> <tr> <td>1</td> <td>Striped Wires</td> </tr> <tr> <td>2</td> <td>GREEN / White</td> </tr> <tr> <td>3</td> <td>BLUE / White</td> </tr> <tr> <td>4</td> <td>ORANGE / White</td> </tr> <tr> <td>5</td> <td>WHITE / Orange</td> </tr> <tr> <td>6</td> <td>WHITE / Blue</td> </tr> <tr> <td>6</td> <td>WHITE / Green</td> </tr> </tbody> </table> <p data-bbox="672 604 954 611">Main Wire Colour shown in CAPITALS</p> <p data-bbox="711 613 915 663">Incoming Telephone Cable On 4 wire systems, Pin 1 and 6 are not connected.</p> <p data-bbox="662 688 974 766">The maximum REN that can be connected to any one exchange line is 4. Any number of sockets may be connected. All sockets are connected in parallel, ie Pin 1 to Pin 1 ; Pin 2 to Pin 2 ; etc. as shown in the diagram above.</p>	Pin No.	BT Wiring Schedule Colour Codes:	1	Striped Wires	2	GREEN / White	3	BLUE / White	4	ORANGE / White	5	WHITE / Orange	6	WHITE / Blue	6	WHITE / Green	
Pin No.	BT Wiring Schedule Colour Codes:																	
1	Striped Wires																	
2	GREEN / White																	
3	BLUE / White																	
4	ORANGE / White																	
5	WHITE / Orange																	
6	WHITE / Blue																	
6	WHITE / Green																	

Primary Range	Woods	
Insert Type	1 gang Telephone Master	
Plate Finish	Woods Ovolo Antique Mahogany	
Insert Colour	White	
EAN13 Barcode	5017504340643	
Dimensions (Nominal)	Single: Height = 88.0mm Width = 88.0mm Depth = 13.5mm	
Fixing Hole Centres	Box Fixing = 60.3mm Grid Fixing = N/A	
Minimum Wall Box Depth	25mm	
Switched Poles	N/A	
IP Rating	IP2XD	
Contact Gap Minimum	N/A	
Earth Terminal Capacity 1	5 x 1mm ²	
Earth Terminal Capacity 2	4 x 1.5mm ²	
Earth Terminal Capacity 3	3 x 2.5mm ²	
Earth Terminal Capacity 4	1 x 4mm ² Multi-strand	
Earth Terminal Capacity 5	1 x 6mm ²	
Product Class 1	Must be earthed (ref BS7671 415.2.1)	
Ambient Operating Temperature	-5° to +40°C	
Recommended Location	Internal Use Only	
Maximum Installation Altitude	2000m	
<p>All products listed conform to current British or European standard and the product information is correct at the time of going to press.</p>	<p>All accessories are manufactured under an accredited BS EN ISO 9001 : 2015 Quality Management System.</p>	<p>It is the policy of the company to improve products as part of our development programme. Therefore, we reserve the right to alter designs and dimensions without prior notice.</p>
<p>Illustrations and diagrams are reproduced within the limitations of reproduction and printing process and are not binding.</p>	<p>Due to manufacturing processes we cannot guarantee an exact colour match and shadings of of certain finishes.</p>	<p>Correct as at 17 October 2018 12:06 PM E&OE</p>