
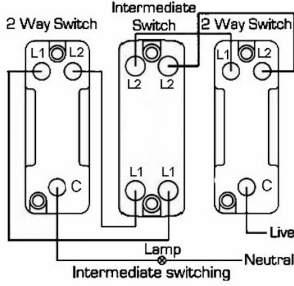
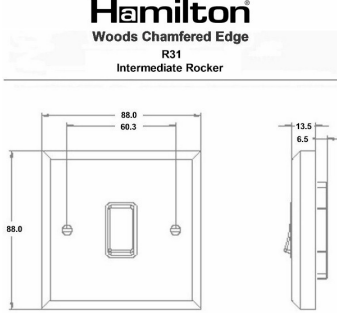


WCMR31BC-B

Woods Chamfered Medium Oak 1 gang 10AX Intermediate Rocker Bright Chrome/Black

| Item Image | Wiring | Dimensions |
|---|---|---|
|  |  |  |

| | |
|-------------------------------|---|
| Primary Range | Woods |
| Insert Type | 1 gang 10AX Intermediate Rocker |
| Plate Finish | Woods Chamfered Medium Oak |
| Insert Colour | Bright Chrome/Black |
| EAN13 Barcode | 5017504914318 |
| Dimensions (Nominal) | Single: Height = 88.0mm Width = 88.0mm Depth = 13.5mm |
| Fixing Hole Centres | Box Fixing = 60.3mm Grid Fixing = N/A |
| Minimum Wall Box Depth | 25mm |
| Switched Poles | Single |
| Current Rating | 10AX |
| Voltage | 220/250V AC |
| Maximum Load | 10 Amp inductive |
| Mains Frequency | 50Hz |
| IP Rating | IP2XD |
| Contact Gap Minimum | 3mm |
| Terminal Capacity 1 | 5 x 1mm ² |
| Terminal Capacity 2 | 4 x 1.5mm ² |
| Terminal Capacity 3 | 1 x 2.5mm ² |
| Terminal Capacity 4 | 1 x 4mm ² Multi-strand |
| Terminal Capacity 5 | 1 x 6mm ² |
| Earth Terminal Capacity 1 | 5 x 1mm ² |
| Earth Terminal Capacity 2 | 4 x 1.5mm ² |
| Earth Terminal Capacity 3 | 3 x 2.5mm ² |
| Earth Terminal Capacity 4 | 1 x 4mm ² Multi-strand |
| Earth Terminal Capacity 5 | 1 x 6mm ² |
| Product Class 1 | Must be earthed |
| Ambient Operating Temperature | -5° to +40°C |
| Recommended Location | Internal Use Only |
| Maximum Installation Altitude | 2000m |
| Standard/Approval | BS EN 60669-1 |

| | | |
|--|--|--|
| <p>All products listed conform to current British or European standard and the product information is correct at the time of going to press.</p> | <p>All accessories are manufactured under an accredited BS EN ISO 9001 : 2015 Quality Management System.</p> | <p>It is the policy of the company to improve products as part of our development programme. Therefore, we reserve the right to alter designs and dimensions without prior notice.</p> |
| <p>Illustrations and diagrams are reproduced within the limitations of reproduction and printing process and are not binding.</p> | <p>Due to manufacturing processes we cannot guarantee an exact colour match and shadings of of certain finishes.</p> | <p>Correct as at 17 October 2018 12:05 PM E&OE</p> |