
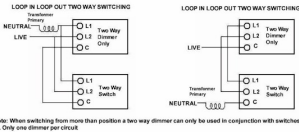
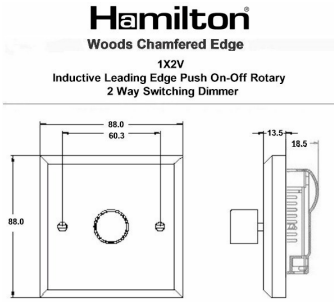


## WCD1X2VSC

Woods Chamfered Dark Oak 1 gang 200VA Inductive Leading Edge Push On-Off Rotary 2 Way Switching Dimmer Satin Chrome

Item Image	Wiring	Dimensions
		 <p><b>Hamilton®</b> Woods Chamfered Edge 1X2V Inductive Leading Edge Push On-Off Rotary 2 Way Switching Dimmer</p>

Primary Range	Woods
Insert Type	1 gang 200VA Inductive Leading Edge Push On-Off Rotary 2 Way Switching Dimmer
Plate Finish	Woods Chamfered Dark Oak
Insert Colour	Satin Chrome
EAN13 Barcode	5017504926113
Dimensions (Nominal)	Single: Height = 88.0mm Width = 88.0mm Depth = 13.5mm
Fixing Hole Centres	Box Fixing = 60.3mm Grid Fixing = N/A
Minimum Wall Box Depth	35mm
Wattage	200VA (low voltage)
Switched Poles	Single
Current Rating	0.8 Amp
Voltage	220/250V AC
Maximum Load	200VA (low voltage) Min Load 25VA
Mains Frequency	50Hz
IP Rating	IP2XD
Contact Gap Minimum	None
Terminal Capacity 1	2 x 1mm <sup>2</sup>
Terminal Capacity 2	2 x 1.5mm <sup>2</sup>
Earth Terminal Capacity 1	5 x 1mm <sup>2</sup>
Earth Terminal Capacity 2	4 x 1.5mm <sup>2</sup>
Earth Terminal Capacity 3	3 x 2.5mm <sup>2</sup>
Earth Terminal Capacity 4	1 x 4mm <sup>2</sup> Multi-strand
Earth Terminal Capacity 5	1 x 6mm <sup>2</sup>
Product Class 1	Face plate must be earthed
Ambient Operating Temperature	-5° to +40°C
Recommended Location	Internal Use Only
Maximum Installation Altitude	2000m
Standard/Approval	BS EN 60669-1

**Additional Notes** LEADING EDGE TECHNOLOGY DIMMERS for use with low voltage toroidal transformers and some LED lamps. When dimming LED lamps de-rated by 75% - please contact our Technical for compatibility. NOTE: It is recommended to contact the manufacturer of the transformer to confirm that it is dimmable and is considered to be an inductive load.

<p>All products listed conform to current British or European standard and the product information is correct at the time of going to press.</p>	<p>All accessories are manufactured under an accredited BS EN ISO 9001 : 2015 Quality Management System.</p>	<p>It is the policy of the company to improve products as part of our development programme. Therefore, we reserve the right to alter designs and dimensions without prior notice.</p>
<p>Illustrations and diagrams are reproduced within the limitations of reproduction and printing process and are not binding.</p>	<p>Due to manufacturing processes we cannot guarantee an exact colour match and shadings of of certain finishes.</p>	<p>Correct as at 17 October 2018 12:02 PM E&amp;OE</p>