
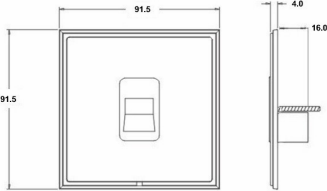


## LSXTCMAB-SBB

### Linea-Scala CFX Antique Brass Frame/Satin Brass Front 1 gang Telephone Master Black

Item Image	Wiring	Dimensions																								
	<table border="1" data-bbox="662 474 963 604"> <thead> <tr> <th>Pin No.</th> <th>BT Wiring Schedule</th> <th>Colour Codes:</th> </tr> </thead> <tbody> <tr> <td colspan="3">Striped Wires</td> </tr> <tr> <td>1</td> <td></td> <td>GREEN / White</td> </tr> <tr> <td>2</td> <td></td> <td>BLUE / White</td> </tr> <tr> <td>3</td> <td></td> <td>ORANGE / White</td> </tr> <tr> <td>4</td> <td></td> <td>WHITE / Orange</td> </tr> <tr> <td>5</td> <td></td> <td>WHITE / Blue</td> </tr> <tr> <td>6</td> <td></td> <td>WHITE / Green</td> </tr> </tbody> </table> <p data-bbox="672 604 953 611">Main Wire Colour shown in CAPITALS</p> <p data-bbox="711 615 914 663">Incoming Telephone Cable On 4 wire systems, Pin 1 and 6 are not connected.</p> <p data-bbox="662 688 963 768">The maximum REN that can be connected to any one exchange line is 4. Any number of sockets may be connected. All sockets are connected in parallel. ie Pin 1 to Pin 1 ; Pin 2 to Pin 2 ; etc. as shown in the diagram above.</p>	Pin No.	BT Wiring Schedule	Colour Codes:	Striped Wires			1		GREEN / White	2		BLUE / White	3		ORANGE / White	4		WHITE / Orange	5		WHITE / Blue	6		WHITE / Green	<p data-bbox="1235 457 1398 531"><b>Hamilton®</b> LINEA SCALA CFX TCM Telephone Master Socket</p> 
Pin No.	BT Wiring Schedule	Colour Codes:																								
Striped Wires																										
1		GREEN / White																								
2		BLUE / White																								
3		ORANGE / White																								
4		WHITE / Orange																								
5		WHITE / Blue																								
6		WHITE / Green																								

Primary Range	Linea-Scala CFX	
Insert Type	1 gang Telephone Master	
Plate Finish	Linea-Scala CFX Antique Brass Frame/Satin Brass	
Insert Colour	Black	
EAN13 Barcode	5017504671648	
Dimensions (Nominal)	Single: Height = 91.5mm Width = 91.5mm Depth = 4.0mm	
Fixing Hole Centres	Box Fixing = 60.3mm Grid Fixing = CFX Clips	
Minimum Wall Box Depth	25mm	
Switched Poles	N/A	
IP Rating	IP2XD	
Contact Gap Minimum	N/A	
Earth Terminal Capacity 1	5 x 1mm <sup>2</sup>	
Earth Terminal Capacity 2	4 x 1.5mm <sup>2</sup>	
Earth Terminal Capacity 3	3 x 2.5mm <sup>2</sup>	
Earth Terminal Capacity 4	1 x 4mm <sup>2</sup> Multi-strand	
Earth Terminal Capacity 5	1 x 6mm <sup>2</sup>	
Product Class 1	Must be earthed (ref BS7671 415.2.1)	
Ambient Operating Temperature	-5° to +40°C	
Recommended Location	Internal Use Only	
Maximum Installation Altitude	2000m	
Patents and Trademarks	Linea is a Registered Trade Mark No 2398665 CFX is a Registered Trade Mark No 2398667 Patent No. GB 2383375B Linea-Perlina CFX SS2 is a UK Registered Design Certificate No. 2066588	
All products listed conform to current British or European standard and the product information is correct at the time of going to press.	All accessories are manufactured under an accredited BS EN ISO 9001 : 2015 Quality Management System.	It is the policy of the company to improve products as part of our development programme. Therefore, we reserve the right to alter designs and dimensions without prior notice.
Illustrations and diagrams are reproduced within the limitations of reproduction and printing process and are not binding.	Due to manufacturing processes we cannot guarantee an exact colour match and shadings of of certain finishes.	Correct as at 17 October 2018 08:42 AM E&OE

R Hamilton & Co Ltd, Unit 10 Carrick Business Centre, 4-5 Bonville Road, Brislington, Bristol, BS4 5NZ  
 T: +44 (0)1747 860088 F: +44 (0)1179 710414  
 E: info@hamilton-litestat.com www.hamilton-litestat.com

Registered Office 1 Rushmills, Bedford Road, Northampton NN4 7YB  
 Registered in London No. 941624 VAT Registration No. 222 6607 84



CERT. No. FM1238