
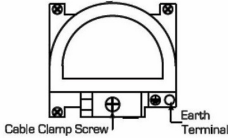
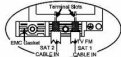
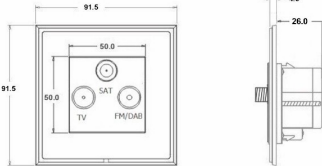


LSXDTRIDPB-BSB

Linea-Scala CFX Polished Brass Frame/Bright Steel Front Non-Isolated TV+FM+SAT Triplexer 1in/3out (DAB Compatible) Black

Item Image	Wiring	Dimensions
	 <p>1. Undo the cable clamp screw. 2. Lift up the cover of the clamp, be careful not to displace the EMC gasket which is located on the cover. 3. Insert the conductor into the terminal slot which is located in the casing of the module. 4. Before closing the cover check to ensure that conductor, screening braid and cable are in the correct position as shown below. 5. Carefully close the cover of the module ensuring that the EMC gasket is not displaced or damaged. Then tighten the cable clamp screw.</p> 	 <p>Hamilton® LINEA SCALA CFX DTRID Non-Isolated TV/FM/Satellite1 Triplexer 1in/3out</p>

Primary Range	Linea-Scala CFX	
Insert Type	Non-Isolated TV+FM+SAT Triplexer 1in/3out (DAB Compatible)	
Plate Finish	Linea-Scala CFX Polished Brass Frame/Bright Steel	
Insert Colour	Black	
EAN13 Barcode	5017504063764	
Dimensions (Nominal)	Single: Height = 91.5mm Width = 91.5mm Depth = 4.0mm	
Fixing Hole Centres	Box Fixing = 60.3mm Grid Fixing = CFX Clips	
Minimum Wall Box Depth	35mm	
Switched Poles	N/A	
IP Rating	IP2XD	
Contact Gap Minimum	N/A	
Earth Terminal Capacity 1	5 x 1mm ²	
Earth Terminal Capacity 2	4 x 1.5mm ²	
Earth Terminal Capacity 3	3 x 2.5mm ²	
Earth Terminal Capacity 4	1 x 4mm ² Multi-strand	
Earth Terminal Capacity 5	1 x 6mm ²	
Product Class 1	Must be earthed (ref BS7671 415.2.1)	
Ambient Operating Temperature	-5° to +40°C	
Recommended Location	Internal Use Only	
Maximum Installation Altitude	2000m	
EuroFix Additional Notes	Triplexer for use with combined TV FM and Satellite Signal (DAB compatible)	
Frequencies 1	TV=5-68 MHz 125-860 MHz	
Frequencies 2	FM=88-108 MHz	
Frequencies 3	SAT DC=950-2200 MHz	
Patents and Trademarks	Linea is a Registered Trade Mark No 2398665 CFX is a Registered Trade Mark No 2398667 Patent No. GB 2383375B Linea-Perlina CFX SS2 is a UK Registered Design Certificate No. 2066588	
All products listed conform to current British or European standard and the product information is correct at the time of going to press.	All accessories are manufactured under an accredited BS EN ISO 9001 : 2015 Quality Management System.	It is the policy of the company to improve products as part of our development programme. Therefore, we reserve the right to alter designs and dimensions without prior notice.
Illustrations and diagrams are reproduced within the limitations of reproduction and printing process and are not binding.	Due to manufacturing processes we cannot guarantee an exact colour match and shadings of certain finishes.	Correct as at 17 October 2018 08:37 AM E&OE

R Hamilton & Co Ltd, Unit 10 Carrick Business Centre, 4-5 Bonville Road, Brislington, Bristol, BS4 5NZ
T: +44 (0)1747 860088 F: +44 (0)1179 710414
E: info@hamilton-litestat.com www.hamilton-litestat.com

Registered Office 1 Rushmills, Bedford Road, Northampton NN4 7YB
Registered in London No. 941624 VAT Registration No. 222 6607 84



LUCKINS



NSPlus



CERT. No. FM1238