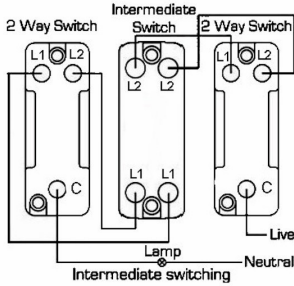
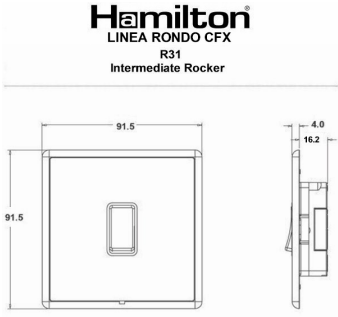


LRXR31RB-RBB

Linea-Rondo CFX Richmond Bronze Frame/Richmond Bronze Front 1 gang 10AX Intermediate Rocker Richmond Bronze/Black

| Item Image | Wiring | Dimensions |
|------------|---|---|
| |  |  <p style="text-align: center;">Hamilton® LINEA RONDO CFX R31 Intermediate Rocker</p> |

| | | |
|---|---|---|
| Primary Range | Linea-Rondo CFX | |
| Insert Type | 1 gang 10AX Intermediate Rocker | |
| Plate Finish | Linea-Rondo CFX Richmond Bronze Frame/Richmond Bronze | |
| Insert Colour | Richmond Bronze/Black | |
| EAN13 Barcode | 5017504058661 | |
| Dimensions (Nominal) | Single: Height = 91.5mm Width = 91.5mm Depth = 4.0mm | |
| Fixing Hole Centres | Box Fixing = 60.3mm Grid Fixing = CFX Clips | |
| Minimum Wall Box Depth | 25mm | |
| Switched Poles | Single | |
| Current Rating | 10AX | |
| Voltage | 220/250V AC | |
| Maximum Load | 10 Amp inductive | |
| Mains Frequency | 50Hz | |
| IP Rating | IP2XD | |
| Contact Gap Minimum | 3mm | |
| Terminal Capacity 1 | 5 x 1mm ² | |
| Terminal Capacity 2 | 4 x 1.5mm ² | |
| Terminal Capacity 3 | 1 x 2.5mm ² | |
| Terminal Capacity 4 | 1 x 4mm ² Multi-strand | |
| Terminal Capacity 5 | 1 x 6mm ² | |
| Earth Terminal Capacity 1 | 5 x 1mm ² | |
| Earth Terminal Capacity 2 | 4 x 1.5mm ² | |
| Earth Terminal Capacity 3 | 3 x 2.5mm ² | |
| Earth Terminal Capacity 4 | 1 x 4mm ² Multi-strand | |
| Earth Terminal Capacity 5 | 1 x 6mm ² | |
| Product Class 1 | Must be earthed | |
| Ambient Operating Temperature | -5° to +40°C | |
| Recommended Location | Internal Use Only | |
| Maximum Installation Altitude | 2000m | |
| Standard/Approval | BS EN 60669-1 | |
| Patents and Trademarks | Linea is a Registered Trade Mark No 2398665 CFX is a Registered Trade Mark No 2398667 Patent No. GB 2383375B Community Trd Mark No. 002906428 Linea-Rondo CFX is a UK Registered Design Certificate No: R21=2106349 SS2=2106350 | |
| All products listed conform to current British or European standard and the product information is correct at the time of going to press. | All accessories are manufactured under an accredited BS EN ISO 9001 : 2015 Quality Management System. | It is the policy of the company to improve products as part of our development programme. Therefore, we reserve the right to alter designs and dimensions without prior notice. |
| Illustrations and diagrams are reproduced within the limitations of reproduction and printing process and are not binding. | Due to manufacturing processes we cannot guarantee an exact colour match and shadings of certain finishes. | Correct as at 16 October 2018 04:08 PM E&OE |

Hamilton®

making connections beautifully

SL

Wiring Accessories • Circuit Protection • Smart Lighting Control & Multi-room Audio