
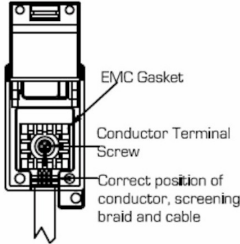
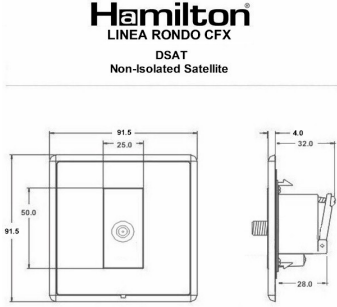


## LRXDSATSB-SBB

### Linea-Rondo CFX Satin Brass Frame/Satin Brass Front 1 gang Non-Isolated Satellite Black

| Item Image  | Wiring  | Dimensions   |
|---|---|--|
|  |  |  <p>Hamilton®<br/>LINEA RONDO CFX<br/>DSAT<br/>Non-Isolated Satellite</p> |

|   |   |   |
|---|---|---|
| Primary Range   | Linea-Rondo CFX   |   |
| Insert Type   | 1 gang Non-Isolated Satellite (DAB Compatible)  |   |
| Plate Finish  | Linea-Rondo CFX Satin Brass Frame/Satin Brass   |   |
| Insert Colour   | Black   |   |
| EAN13 Barcode   | 5017504451523   |   |
| Dimensions (Nominal)  | Single: Height = 91.5mm Width = 91.5mm Depth = 4.0mm  |   |
| Fixing Hole Centres   | Box Fixing = 60.3mm Grid Fixing = CFX Clips   |   |
| Minimum Wall Box Depth  | 35mm  |   |
| Switched Poles  | N/A   |   |
| IP Rating   | IP2XD   |   |
| Contact Gap Minimum   | N/A   |   |
| Earth Terminal Capacity 1   | 5 x 1mm <sup>2</sup>  |   |
| Earth Terminal Capacity 2   | 4 x 1.5mm <sup>2</sup>  |   |
| Earth Terminal Capacity 3   | 3 x 2.5mm <sup>2</sup>  |   |
| Earth Terminal Capacity 4   | 1 x 4mm <sup>2</sup> Multi-strand   |   |
| Earth Terminal Capacity 5   | 1 x 6mm <sup>2</sup>  |   |
| Product Class 1   | Must be earthed (ref BS7671 415.2.1)  |   |
| Ambient Operating Temperature   | -5° to +40°C  |   |
| Recommended Location  | Internal Use Only   |   |
| Maximum Installation Altitude   | 2000m   |   |
| Frequencies 1   | SAT DC=5-2200 MHz   |   |
| Patents and Trademarks  | Linea is a Registered Trade Mark No 2398665<br>CFX is a Registered Trade Mark No 2398667 Patent No. GB 2383375B Community Trd Mark No. 002906428<br>Linea-Rondo CFX is a UK Registered Design Certificate No: R21=2106349 SS2=2106350 |   |
| All products listed conform to current British or European standard and the product information is correct at the time of going to press. | All accessories are manufactured under an accredited BS EN ISO 9001 : 2015 Quality Management System.   | It is the policy of the company to improve products as part of our development programme. Therefore, we reserve the right to alter designs and dimensions without prior notice. |
| Illustrations and diagrams are reproduced within the limitations of reproduction and printing process and are not binding.                | Due to manufacturing processes we cannot guarantee an exact colour match and shadings of certain finishes.  | Correct as at 16 October 2018 04:05 PM E&OE   |

R Hamilton & Co Ltd, Unit 10 Carrick Business Centre, 4-5 Bonville Road, Brislington, Bristol, BS4 5NZ  
 T: +44 (0)1747 860088 F: +44 (0)1179 710414  
 E: info@hamilton-litestat.com www.hamilton-litestat.com

Registered Office 1 Rushmills, Bedford Road, Northampton NN4 7YB  
 Registered in London No. 941624 VAT Registration No. 222 6607 84



CERT. No. FM1238