
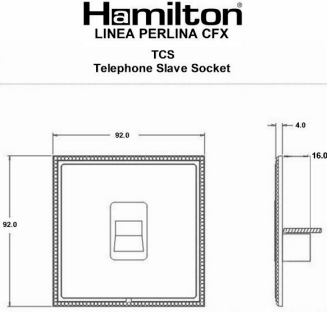


## LPXTCSPB-SBB

### Linea-Perlina CFX Polished Brass Frame/Satin Brass Front 1 gang Telephone Slave Black

| Item Image  | Wiring  | Dimensions     |                    |               |   |               |               |   |  |              |   |  |                |   |  |                |   |  |              |   |  |               |  |
|---|---|----------------|--------------------|---------------|---|---------------|---------------|---|--|--------------|---|--|----------------|---|--|----------------|---|--|--------------|---|--|---------------|--|
|  | <table border="1" data-bbox="662 474 964 604"> <thead> <tr> <th>Pin No.</th> <th>BT Wiring Schedule</th> <th>Colour Codes:</th> </tr> </thead> <tbody> <tr> <td>1</td> <td>Striped Wires</td> <td>GREEN / White</td> </tr> <tr> <td>2</td> <td></td> <td>BLUE / White</td> </tr> <tr> <td>3</td> <td></td> <td>ORANGE / White</td> </tr> <tr> <td>4</td> <td></td> <td>WHITE / Orange</td> </tr> <tr> <td>5</td> <td></td> <td>WHITE / Blue</td> </tr> <tr> <td>6</td> <td></td> <td>WHITE / Green</td> </tr> </tbody> </table> <p data-bbox="672 604 954 611">Main Wire Colour shown in CAPITALS</p> <p data-bbox="711 615 915 667">Incoming Telephone Cable<br/>On 4 wire systems, Pin 1 and 6<br/>are not connected.</p> <p data-bbox="662 688 974 772">The maximum REN that can be connected to any one exchange line is 4. Any number of sockets may be connected. All sockets are connected in parallel, ie Pin 1 to Pin 1 ; Pin 2 to Pin 2 ; etc. as shown in the diagram above.</p> | Pin No.        | BT Wiring Schedule | Colour Codes: | 1 | Striped Wires | GREEN / White | 2 |  | BLUE / White | 3 |  | ORANGE / White | 4 |  | WHITE / Orange | 5 |  | WHITE / Blue | 6 |  | WHITE / Green |  <p data-bbox="1234 462 1396 541"><b>Hamilton®</b><br/>LINEA PERLINA CFX<br/>TCS<br/>Telephone Slave Socket</p> |
| Pin No.   | BT Wiring Schedule  | Colour Codes:  |                    |               |   |               |               |   |  |              |   |  |                |   |  |                |   |  |              |   |  |               |  |
| 1   | Striped Wires   | GREEN / White  |                    |               |   |               |               |   |  |              |   |  |                |   |  |                |   |  |              |   |  |               |  |
| 2   |   | BLUE / White   |                    |               |   |               |               |   |  |              |   |  |                |   |  |                |   |  |              |   |  |               |  |
| 3   |   | ORANGE / White |                    |               |   |               |               |   |  |              |   |  |                |   |  |                |   |  |              |   |  |               |  |
| 4   |   | WHITE / Orange |                    |               |   |               |               |   |  |              |   |  |                |   |  |                |   |  |              |   |  |               |  |
| 5   |   | WHITE / Blue   |                    |               |   |               |               |   |  |              |   |  |                |   |  |                |   |  |              |   |  |               |  |
| 6   |   | WHITE / Green  |                    |               |   |               |               |   |  |              |   |  |                |   |  |                |   |  |              |   |  |               |  |

|   |  |   |
|---|--|---|
| Primary Range   | Linea-Perlina CFX  |   |
| Insert Type   | 1 gang Telephone Slave   |   |
| Plate Finish  | Linea-Perlina CFX Polished Brass Frame/Satin Brass   |   |
| Insert Colour   | Black  |   |
| EAN13 Barcode   | 5017504881658  |   |
| Dimensions (Nominal)  | Single: Height = 92.0mm Width = 92.0mm Depth = 4.0mm   |   |
| Fixing Hole Centres   | Box Fixing = 60.3mm Grid Fixing = CFX Clips  |   |
| Minimum Wall Box Depth  | 25mm   |   |
| Switched Poles  | N/A  |   |
| IP Rating   | IP2XD  |   |
| Contact Gap Minimum   | N/A  |   |
| Earth Terminal Capacity 1   | 5 x 1mm <sup>2</sup>   |   |
| Earth Terminal Capacity 2   | 4 x 1.5mm <sup>2</sup>   |   |
| Earth Terminal Capacity 3   | 3 x 2.5mm <sup>2</sup>   |   |
| Earth Terminal Capacity 4   | 1 x 4mm <sup>2</sup> Multi-strand  |   |
| Earth Terminal Capacity 5   | 1 x 6mm <sup>2</sup>   |   |
| Product Class 1   | Must be earthed (ref BS7671 415.2.1)   |   |
| Ambient Operating Temperature   | -5° to +40°C   |   |
| Recommended Location  | Internal Use Only  |   |
| Maximum Installation Altitude   | 2000m  |   |
| Patents and Trademarks  | Linea is a Registered Trade Mark No 2398665<br>CFX is a Registered Trade Mark No 2398667 Patent No. GB 2383375B<br>Linea-Perlina CFX SS2 is a UK Registered Design Certificate No. 2066588 |   |
| All products listed conform to current British or European standard and the product information is correct at the time of going to press. | All accessories are manufactured under an accredited BS EN ISO 9001 : 2015 Quality Management System.  | It is the policy of the company to improve products as part of our development programme. Therefore, we reserve the right to alter designs and dimensions without prior notice. |
| Illustrations and diagrams are reproduced within the limitations of reproduction and printing process and are not binding.                | Due to manufacturing processes we cannot guarantee an exact colour match and shadings of certain finishes.   | Correct as at 17 October 2018 08:09 AM E&OE   |

R Hamilton & Co Ltd, Unit 10 Carrick Business Centre, 4-5 Bonville Road, Brislington, Bristol, BS4 5NZ  
 T: +44 (0)1747 860088 F: +44 (0)1179 710414  
 E: info@hamilton-litestat.com www.hamilton-litestat.com

Registered Office 1 Rushmills, Bedford Road, Northampton NN4 7YB  
 Registered in London No. 941624 VAT Registration No. 222 6607 84



CERT. No. FM1238