
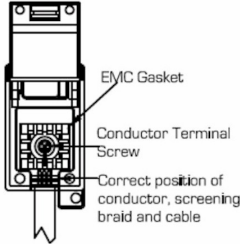
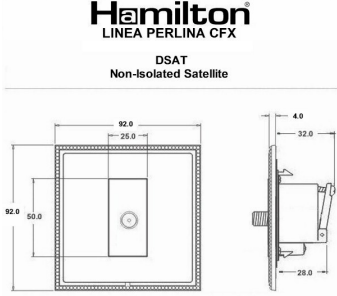


LPXDSATPB-PBB

Linea-Perlina CFX Polished Brass Frame/Polished Brass Front 1 gang Non-Isolated Satellite Black

| Item Image | Wiring | Dimensions |
|---|---|---|
|  |  |  |

| | | |
|---|--|---|
| Primary Range | Linea-Perlina CFX | |
| Insert Type | 1 gang Non-Isolated Satellite (DAB Compatible) | |
| Plate Finish | Linea-Perlina CFX Polished Brass Frame/Polished Brass | |
| Insert Colour | Black | |
| EAN13 Barcode | 5017504871529 | |
| Dimensions (Nominal) | Single: Height = 92.0mm Width = 92.0mm Depth = 4.0mm | |
| Fixing Hole Centres | Box Fixing = 60.3mm Grid Fixing = CFX Clips | |
| Minimum Wall Box Depth | 35mm | |
| Switched Poles | N/A | |
| IP Rating | IP2XD | |
| Contact Gap Minimum | N/A | |
| Earth Terminal Capacity 1 | 5 x 1mm ² | |
| Earth Terminal Capacity 2 | 4 x 1.5mm ² | |
| Earth Terminal Capacity 3 | 3 x 2.5mm ² | |
| Earth Terminal Capacity 4 | 1 x 4mm ² Multi-strand | |
| Earth Terminal Capacity 5 | 1 x 6mm ² | |
| Product Class 1 | Must be earthed (ref BS7671 415.2.1) | |
| Ambient Operating Temperature | -5° to +40°C | |
| Recommended Location | Internal Use Only | |
| Maximum Installation Altitude | 2000m | |
| Frequencies 1 | SAT DC=5-2200 MHz | |
| Patents and Trademarks | Linea is a Registered Trade Mark No 2398665 CFX is a Registered Trade Mark No 2398667 Patent No. GB 2383375B Linea-Perlina CFX SS2 is a UK Registered Design Certificate No. 2066588 | |
| All products listed conform to current British or European standard and the product information is correct at the time of going to press. | All accessories are manufactured under an accredited BS EN ISO 9001 : 2015 Quality Management System. | It is the policy of the company to improve products as part of our development programme. Therefore, we reserve the right to alter designs and dimensions without prior notice. |
| Illustrations and diagrams are reproduced within the limitations of reproduction and printing process and are not binding. | Due to manufacturing processes we cannot guarantee an exact colour match and shadings of certain finishes. | Correct as at 17 October 2018 08:07 AM E&OE |

R Hamilton & Co Ltd, Unit 10 Carrick Business Centre, 4-5 Bonville Road, Brislington, Bristol, BS4 5NZ
 T: +44 (0)1747 860088 F: +44 (0)1179 710414
 E: info@hamilton-litestat.com www.hamilton-litestat.com

Registered Office 1 Rushmills, Bedford Road, Northampton NN4 7YB
 Registered in London No. 941624 VAT Registration No. 222 6607 84



CERT. No. FM1238