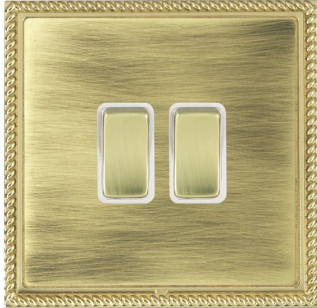
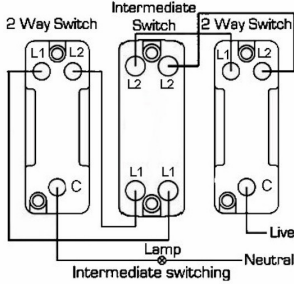
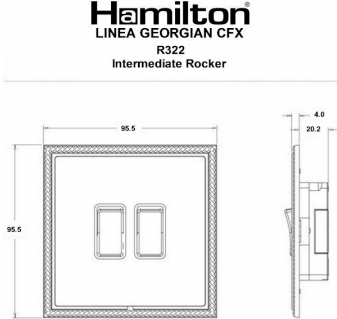


## LGXR322PB-ABW

Linea-Georgian CFX Polished Brass Frame/Antique Brass Front 2 gang 20AX Intermediate Rocker Polished Brass/White

| Item Image  | Wiring  | Dimensions  |
|---|---|---|
|  |  |  |

|   |   |   |
|---|---|---|
| Primary Range   | Linea-Georgian CFX  |   |
| Insert Type   | 2 gang 20AX Intermediate Rocker   |   |
| Plate Finish  | Linea-Georgian CFX Polished Brass Frame/Antique Brass   |   |
| Insert Colour   | Polished Brass/White  |   |
| EAN13 Barcode   | 5017504823351   |   |
| Dimensions (Nominal)  | Single: Height = 95.5mm Width = 95.5mm Depth = 4.0mm  |   |
| Fixing Hole Centres   | Box Fixing = 60.3mm Grid Fixing = CFX Clips   |   |
| Minimum Wall Box Depth  | 35mm  |   |
| Switched Poles  | Single  |   |
| Current Rating  | 20AX  |   |
| Voltage   | 220/250V AC   |   |
| Maximum Load  | 20 Amp inductive  |   |
| Mains Frequency   | 50Hz  |   |
| IP Rating   | IP2XD   |   |
| Contact Gap Minimum   | 3mm   |   |
| Terminal Capacity 1   | 5 x 1mm <sup>2</sup>  |   |
| Terminal Capacity 2   | 4 x 1.5mm <sup>2</sup>  |   |
| Terminal Capacity 3   | 2 x 2.5mm <sup>2</sup>  |   |
| Terminal Capacity 4   | 2 x 4mm <sup>2</sup> Multi-strand   |   |
| Terminal Capacity 5   | 1 x 6mm <sup>2</sup>  |   |
| Earth Terminal Capacity 1   | 6 x 1mm <sup>2</sup>  |   |
| Earth Terminal Capacity 2   | 5 x 1.5mm <sup>2</sup>  |   |
| Earth Terminal Capacity 3   | 3 x 2.5mm <sup>2</sup>  |   |
| Earth Terminal Capacity 4   | 2 x 4mm <sup>2</sup> Multi-strand   |   |
| Earth Terminal Capacity 5   | 1 x 6mm <sup>2</sup>  |   |
| Product Class 1   | Must be earthed   |   |
| Ambient Operating Temperature   | -5° to +40°C  |   |
| Recommended Location  | Internal Use Only   |   |
| Maximum Installation Altitude   | 2000m   |   |
| Standard/Approval   | BS EN 60669-1   |   |
| Patents and Trademarks  | Linea is a Registered Trade Mark No 2398665<br>CFX is a Registered Trade Mark No 2398667 Patent No. GB 2383375B<br>Linea-Georgian CFX is a UK Registered Design Certificate No. R21 = 2078674 SS2 = 2078673 |   |
| All products listed conform to current British or European standard and the product information is correct at the time of going to press. | All accessories are manufactured under an accredited BS EN ISO 9001 : 2015 Quality Management System.   | It is the policy of the company to improve products as part of our development programme. Therefore, we reserve the right to alter designs and dimensions without prior notice. |
| Illustrations and diagrams are reproduced within the limitations of reproduction and printing process and are not binding.                | Due to manufacturing processes we cannot guarantee an exact colour match and shadings of certain finishes.  | Correct as at 15 October 2018 09:07 AM E&OE   |

# Hamilton®

making connections beautifully

SL

Wiring Accessories • Circuit Protection • Smart Lighting Control & Multi-room Audio