
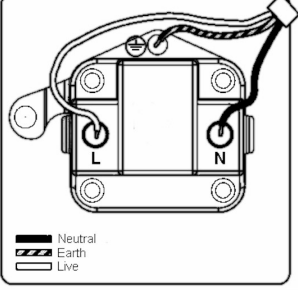
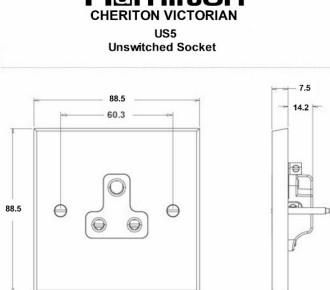


## 98US5B

### Cheriton Victorian Black Nickel 1 gang 5A Unswitched Socket Black

Item Image	Wiring	Dimensions
	 <p> <span style="display: inline-block; width: 10px; height: 10px; background-color: black; border: 1px solid black;"></span> Neutral  <span style="display: inline-block; width: 10px; height: 10px; background-color: gray; border: 1px solid black;"></span> Earth  <span style="display: inline-block; width: 10px; height: 10px; background-color: white; border: 1px solid black;"></span> Live         </p>	 <p> <b>Hamilton®</b>  <b>CHERITON VICTORIAN</b>  <b>US5</b>  <b>Unswitched Socket</b> </p>

Primary Range	Cheriton
Insert Type	1 gang 5A Unswitched Socket
Plate Finish	Cheriton Victorian Box Black Nickel
Insert Colour	Black
EAN13 Barcode	5017503981052
Dimensions (Nominal)	Single: Height = 88.5mm Width = 88.5mm Depth = 7.5mm
Fixing Hole Centres	Box Fixing = 60.3mm Grid Fixing = N/A
Minimum Wall Box Depth	35mm
Switched Poles	None
Current Rating	5 Amp
Voltage	220/250V AC
Maximum Load	5 Amp
Mains Frequency	50Hz
IP Rating	IP2XD
Contact Gap Minimum	None
Terminal Capacity 1	5 x 1mm <sup>2</sup>
Terminal Capacity 2	4 x 1.5mm <sup>2</sup>
Terminal Capacity 3	2 x 2.5mm <sup>2</sup>
Terminal Capacity 4	1 x 4mm <sup>2</sup>
Earth Terminal Capacity 1	5 x 1mm <sup>2</sup>
Earth Terminal Capacity 2	4 x 1.5mm <sup>2</sup>
Earth Terminal Capacity 3	2 x 2.5mm <sup>2</sup>
Earth Terminal Capacity 4	1 x 4mm <sup>2</sup>
Product Class 1	Must be earthed
Ambient Operating Temperature	-5° to +40°C
Recommended Location	Internal Use Only
Maximum Installation Altitude	2000m
Standard/Approval	BS 546
Additional Notes	Shuttered: Yes
Patents and Trademarks	Cheriton is a Registered Trade Mark No. 2344779

<p>All products listed conform to current British or European standard and the product information is correct at the time of going to press.</p>	<p>All accessories are manufactured under an accredited BS EN ISO 9001 : 2015 Quality Management System.</p>	<p>It is the policy of the company to improve products as part of our development programme. Therefore, we reserve the right to alter designs and dimensions without prior notice.</p>
<p>Illustrations and diagrams are reproduced within the limitations of reproduction and printing process and are not binding.</p>	<p>Due to manufacturing processes we cannot guarantee an exact colour match and shadings of certain finishes.</p>	<p>Correct as at 12 October 2018 04:45 PM E&amp;OE</p>