
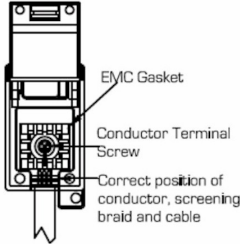
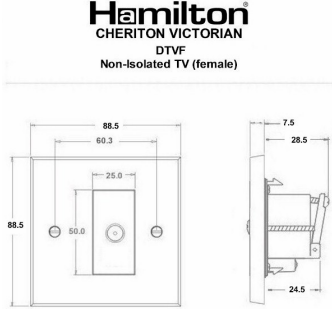


## 96DTVFW

### Cheriton Victorian Satin Chrome 1 gang Non-Isolated TV (female) White

| Item Image  | Wiring  | Dimensions  |
|---|---|---|
|  |  |  <p><b>Hamilton</b><br/>CHERITON VICTORIAN<br/>DTVF<br/>Non-Isolated TV (female)</p> |

|   |   |   |
|---|---|---|
| Primary Range   | Cheriton  |   |
| Insert Type   | 1 gang Non-Isolated TV (female) (DAB Compatible)  |   |
| Plate Finish  | Cheriton Victorian Box Satin Chrome   |   |
| Insert Colour   | White   |   |
| EAN13 Barcode   | 5028690410379   |   |
| Dimensions (Nominal)  | Single: Height = 88.5mm Width = 88.5mm Depth = 7.5mm  |   |
| Fixing Hole Centres   | Box Fixing = 60.3mm Grid Fixing = N/A   |   |
| Minimum Wall Box Depth  | 35mm  |   |
| Switched Poles  | N/A   |   |
| IP Rating   | IP2XD   |   |
| Contact Gap Minimum   | N/A   |   |
| Earth Terminal Capacity 1   | 5 x 1mm <sup>2</sup>  |   |
| Earth Terminal Capacity 2   | 4 x 1.5mm <sup>2</sup>  |   |
| Earth Terminal Capacity 3   | 3 x 2.5mm <sup>2</sup>  |   |
| Earth Terminal Capacity 4   | 1 x 4mm <sup>2</sup> Multi-strand   |   |
| Earth Terminal Capacity 5   | 1 x 6mm <sup>2</sup>  |   |
| Product Class 1   | Must be earthed (ref BS7671 415.2.1)  |   |
| Ambient Operating Temperature   | -5° to +40°C  |   |
| Recommended Location  | Internal Use Only   |   |
| Maximum Installation Altitude   | 2000m   |   |
| EuroFix Additional Notes  | TV Outlet (IEC 169-2 Female Socket) Usually used for FM (DAB) outlet  |   |
| Frequencies 1   | TV DC=5-2200 MHz  |   |
| Patents and Trademarks  | Cheriton is a Registered Trade Mark No. 2344779   |   |
| All products listed conform to current British or European standard and the product information is correct at the time of going to press. | All accessories are manufactured under an accredited BS EN ISO 9001 : 2015 Quality Management System.         | It is the policy of the company to improve products as part of our development programme. Therefore, we reserve the right to alter designs and dimensions without prior notice. |
| Illustrations and diagrams are reproduced within the limitations of reproduction and printing process and are not binding.                | Due to manufacturing processes we cannot guarantee an exact colour match and shadings of of certain finishes. | Correct as at 12 October 2018 04:45 PM E&OE   |

R Hamilton & Co Ltd, Unit 10 Carrick Business Centre, 4-5 Bonville Road, Brislington, Bristol, BS4 5NZ  
 T: +44 (0)1747 860088 F: +44 (0)1179 710414  
 E: info@hamilton-litestat.com www.hamilton-litestat.com

Registered Office 1 Rushmills, Bedford Road, Northampton NN4 7YB  
 Registered in London No. 941624 VAT Registration No. 222 6607 84

