
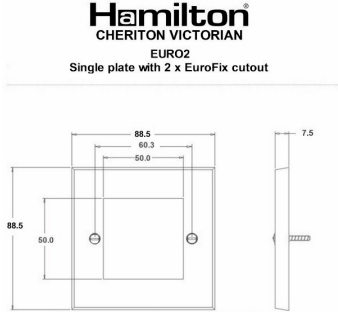


95EURO2

Cheriton Victorian EuroFix Bright Chrome Single Plate complete with 2 EuroFix Apertures 50x50mm and Grid

Item Image	Wiring	Dimensions
		 <p>Hamilton CHERITON VICTORIAN EURO2 Single plate with 2 x EuroFix cutout</p>
Primary Range	EuroFix	
Insert Type	2 Gang EuroFix 50x50mm Apertured Plate with Grid	
Plate Finish	Cheriton Victorian EuroFix Bright Chrome	
Insert Colour	No Insert Colour	
EAN13 Barcode	5028690409175	
Dimensions (Nominal)	Single: Height = 88.5mm Width = 88.5mm Depth = 7.5mm	
Fixing Hole Centres	Box Fixing = 60.3mm Grid Fixing = N/A	
Minimum Wall Box Depth	As Per Inserts	
Switched Poles	N/A	
IP Rating	N/A	
Contact Gap Minimum	N/A	
Earth Terminal Capacity 1	5 x 1mm ²	
Earth Terminal Capacity 2	4x1.5mm ²	
Earth Terminal Capacity 3	3 x 2.5mm ²	
Earth Terminal Capacity 4	1 x 4mm ² Multi-strand	
Earth Terminal Capacity 5	1 x 6mm ²	
Product Class 1	Face plate must be earthed	
Recommended Location	Internal Use Only	
Maximum Installation Altitude	2000m	
Additional Notes	See EuroFix for a full range of inserts. Plates must be Earthed via the Earth Tag.	
Patents and Trademarks	EuroFix is a Registered Trade Mark No. 2560270	
All products listed conform to current British or European standard and the product information is correct at the time of going to press.	All accessories are manufactured under an accredited BS EN ISO 9001 : 2015 Quality Management System.	It is the policy of the company to improve products as part of our development programme. Therefore, we reserve the right to alter designs and dimensions without prior notice.
Illustrations and diagrams are reproduced within the limitations of reproduction and printing process and are not binding.	Due to manufacturing processes we cannot guarantee an exact colour match and shadings of of certain finishes.	Correct as at 15 October 2018 09:03 AM E&OE

R Hamilton & Co Ltd, Unit 10 Carrick Business Centre, 4-5 Bonville Road, Brislington, Bristol, BS4 5NZ
T: +44 (0)1747 860088 F: +44 (0)1179 710414
E: info@hamilton-litestat.com www.hamilton-litestat.com

Registered Office 1 Rushmills, Bedford Road, Northampton NN4 7YB
Registered in London No. 941624 VAT Registration No. 222 6607 84

