
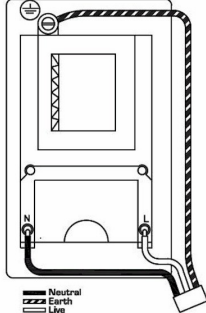
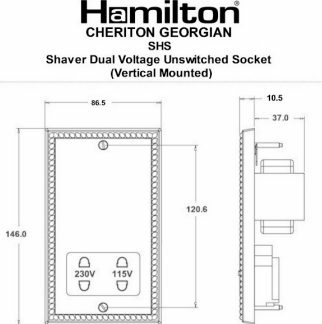


91SHSB

Cheriton Georgian Antique Brass Shaver Dual Voltage Unswitched Socket (Vertically Mounted) Black

Item Image	Wiring	Dimensions
		

Primary Range	Cheriton	
Insert Type	Shaver Dual Voltage Unswitched Socket (Vertically Mounted)	
Plate Finish	Cheriton Georgian Box Vertical Antique Brass	
Insert Colour	Black	
EAN13 Barcode	5017503361038	
Dimensions (Nominal)	Double: Height = 146.0mm Width = 86.5mm Depth = 10.5mm	
Fixing Hole Centres	Box Fixing = 120.6mm Grid Fixing = N/A	
Minimum Wall Box Depth	47mm	
Switched Poles	None	
Current Rating	20VA	
Voltage	220/250V AC	
Maximum Load	200/250V input; 115/230V 20VA output	
Mains Frequency	50Hz	
IP Rating	IP2XD	
Contact Gap Minimum	None	
Terminal Capacity 1	5 x 1mm ²	
Terminal Capacity 2	4 x 1.5mm ²	
Terminal Capacity 3	3 x 2.5mm ²	
Terminal Capacity 4	2 x 4mm ² Multi-strand	
Terminal Capacity 5	1 x 6mm ²	
Earth Terminal Capacity 1	9 x 1mm ²	
Earth Terminal Capacity 2	6 x 1.5mm ²	
Earth Terminal Capacity 3	4 x 2.5mm ²	
Earth Terminal Capacity 4	2 x 4mm ² Multi-strand	
Earth Terminal Capacity 5	1 x 6mm ²	
Product Class 1	Must be earthed	
Ambient Operating Temperature	-5° to +40°C	
Recommended Location	Internal Use Only	
Maximum Installation Altitude	2000m	
Standard/Approval	BS EN 61558-2-5 - BS 4573	
Additional Notes	Must be mounted vertically. Shuttered :Yes. Box Depth 47mm	
Patents and Trademarks	Cheriton is a Registered Trade Mark No. 2344779	
All products listed conform to current British or European standard and the product information is correct at the time of going to press.	All accessories are manufactured under an accredited BS EN ISO 9001 : 2015 Quality Management System.	It is the policy of the company to improve products as part of our development programme. Therefore, we reserve the right to alter designs and dimensions without prior notice.
Illustrations and diagrams are reproduced within the limitations of reproduction and printing process and are not binding.	Due to manufacturing processes we cannot guarantee an exact colour match and shadings of of certain finishes.	Correct as at 12 October 2018 04:41 PM E&OE

Hamilton®

making connections beautifully

SL

Wiring Accessories • Circuit Protection • Smart Lighting Control & Multi-room Audio