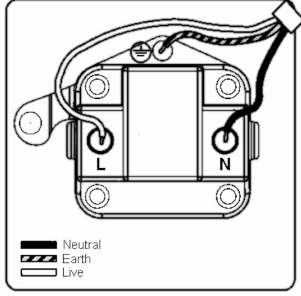
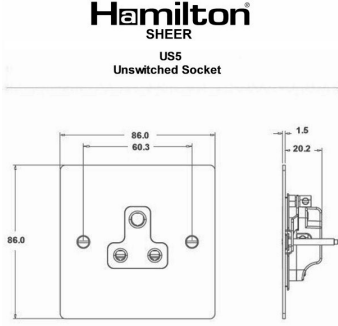


## 8MBUS5B

### Sheer Matt Black 1 gang 5A Unswitched Socket Black - NOT Suitable for Over Painting

| Item Image | Wiring  | Dimensions  |
|------------|---|---|
|            |  |  |

|                               |  |
|-------------------------------|--|
| Primary Range                 | Sheer  |
| Insert Type                   | 1 gang 5A Unswitched Socket                          |
| Plate Finish                  | Sheer Box Matt Black                                 |
| Insert Colour                 | Black  |
| EAN13 Barcode                 | 5017504033095  |
| Dimensions (Nominal)          | Single: Height = 86.0mm Width = 86.0mm Depth = 1.5mm |
| Fixing Hole Centres           | Box Fixing = 60.3mm Grid Fixing = N/A                |
| Minimum Wall Box Depth        | 35mm   |
| Switched Poles                | None   |
| Current Rating                | 5 Amp  |
| Voltage                       | 220/250V AC  |
| Maximum Load                  | 5 Amp  |
| Mains Frequency               | 50Hz   |
| IP Rating                     | IP2XD  |
| Contact Gap Minimum           | None   |
| Terminal Capacity 1           | 5 x 1mm <sup>2</sup>                                 |
| Terminal Capacity 2           | 4 x 1.5mm <sup>2</sup>                               |
| Terminal Capacity 3           | 2 x 2.5mm <sup>2</sup>                               |
| Terminal Capacity 4           | 1 x 4mm <sup>2</sup>                                 |
| Earth Terminal Capacity 1     | 5 x 1mm <sup>2</sup>                                 |
| Earth Terminal Capacity 2     | 4 x 1.5mm <sup>2</sup>                               |
| Earth Terminal Capacity 3     | 2 x 2.5mm <sup>2</sup>                               |
| Earth Terminal Capacity 4     | 1 x 4mm <sup>2</sup>                                 |
| Product Class 1               | Must be earthed                                      |
| Ambient Operating Temperature | -5° to +40°C   |
| Recommended Location          | Internal Use Only                                    |
| Maximum Installation Altitude | 2000m  |
| Standard/Approval             | BS 546   |
| Additional Notes              | Shuttered: Yes                                       |
| Patents and Trademarks        | Sheer is a Registered Trade Mark No. 2296586         |

|  |  |  |
|--|--|--|
| <p>All products listed conform to current British or European standard and the product information is correct at the time of going to press.</p> | <p>All accessories are manufactured under an accredited BS EN ISO 9001 : 2015 Quality Management System.</p> | <p>It is the policy of the company to improve products as part of our development programme. Therefore, we reserve the right to alter designs and dimensions without prior notice.</p> |
|--|--|--|

|   |  |  |
|---|--|--|
| <p>Illustrations and diagrams are reproduced within the limitations of reproduction and printing process and are not binding.</p> | <p>Due to manufacturing processes we cannot guarantee an exact colour match and shadings of of certain finishes.</p> | <p>Correct as at 17 October 2018 10:03 AM E&amp;OE</p> |
|---|--|--|