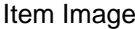
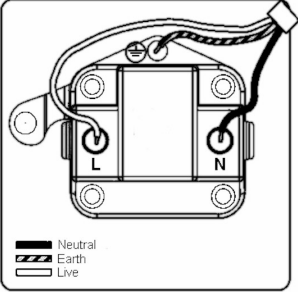
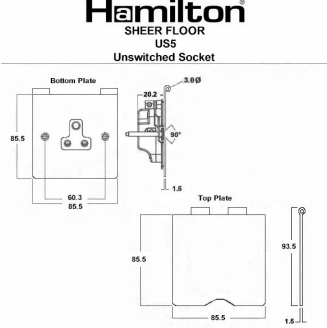


84DUS5B

Sheer Floor Satin Steel 1 gang 5A Unswitched Socket Black

| Item Image | Wiring | Dimensions |
|---|---|--|
|  |  <p> Neutral Earth Live </p> |  <p> Hamilton® SHEER FLOOR US5 Unswitched Socket </p> |

| | |
|-------------------------------|---|
| Primary Range | Sheer Floor Sockets |
| Insert Type | 1 gang 5A Unswitched Socket |
| Plate Finish | Sheer Floor Box Satin Steel |
| Insert Colour | Black |
| EAN13 Barcode | 5028690061052 |
| Dimensions (Nominal) | Single: Height = 93.5mm Width = 85.5mm Depth = 3.0mm (6.5mm Hinged Cover) |
| Weight | 223 GR |
| Fixing Hole Centres | Box Fixing = 60.3mm Grid Fixing = N/A |
| Minimum Wall Box Depth | 35mm |
| Switched Poles | None |
| Current Rating | 5 Amp |
| Voltage | 220/250V AC |
| Maximum Load | 5 Amp |
| Mains Frequency | 50Hz |
| IP Rating | IP2XD |
| Contact Gap Minimum | None |
| Terminal Capacity 1 | 5 x 1mm ² |
| Terminal Capacity 2 | 4 x 1.5mm ² |
| Terminal Capacity 3 | 2 x 2.5mm ² |
| Terminal Capacity 4 | 1 x 4mm ² |
| Earth Terminal Capacity 1 | 5 x 1mm ² |
| Earth Terminal Capacity 2 | 4 x 1.5mm ² |
| Earth Terminal Capacity 3 | 2 x 2.5mm ² |
| Earth Terminal Capacity 4 | 1 x 4mm ² |
| Product Class 1 | Must be earthed |
| Ambient Operating Temperature | -5° to +40°C |
| Recommended Location | Internal Use Only |
| Maximum Installation Altitude | 2000m |
| Standard/Approval | BS 546 |
| Additional Notes | Shuttered: Yes |

| | | |
|--|--|--|
| <p>All products listed conform to current British or European standard and the product information is correct at the time of going to press.</p> | <p>All accessories are manufactured under an accredited BS EN ISO 9001 : 2015 Quality Management System.</p> | <p>It is the policy of the company to improve products as part of our development programme. Therefore, we reserve the right to alter designs and dimensions without prior notice.</p> |
| <p>Illustrations and diagrams are reproduced within the limitations of reproduction and printing process and are not binding.</p> | <p>Due to manufacturing processes we cannot guarantee an exact colour match and shadings of of certain finishes.</p> | <p>Correct as at 17 October 2018 11:27 AM E&OE</p> |