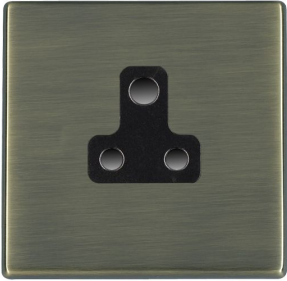
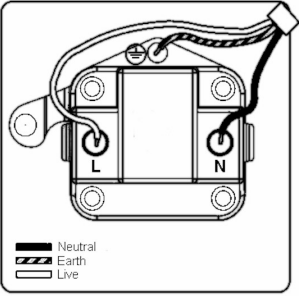
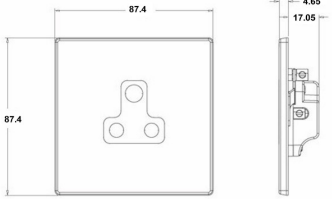


7G29US5B

Hartland G2 Antique Brass 1 gang 5A Unswitched Socket Black

Item Image	Wiring	Dimensions
	 <p> Neutral Earth Live </p>	 <p> Hamilton® HARTLAND G2 US5 Unswitched Socket </p>

Primary Range	Hartland G2
Insert Type	1 gang 5A Unswitched Socket
Plate Finish	Hartland G2 Antique Brass
Insert Colour	Black
EAN13 Barcode	5051164003463
Commodity Code	85363010
Luckins TSI	407517413
Dimensions (Nominal)	Single: Height = 87.4mm Width = 87.4mm Depth = 4.65mm
Fixing Hole Centres	Box Fixing = 60.3mm
Minimum Wall Box Depth	35mm
Switched Poles	None
Current Rating	5 Amp
Voltage	220/250V AC
Maximum Load	5 Amp
Mains Frequency	50Hz
IP Rating	IP2XD
Contact Gap Minimum	None
Terminal Capacity 1	5 x 1mm ²
Terminal Capacity 2	4 x 1.5mm ²
Terminal Capacity 3	2 x 2.5mm ²
Terminal Capacity 4	1 x 4mm ²
Earth Terminal Capacity 1	5 x 1mm ²
Earth Terminal Capacity 2	4 x 1.5mm ²
Earth Terminal Capacity 3	2 x 2.5mm ²
Earth Terminal Capacity 4	1 x 4mm ²
Product Class 1	Must be earthed
Ambient Operating Temperature	-5° to +40°C
Recommended Location	Internal Use Only
Maximum Installation Altitude	2000m
Standard/Approval	BS 546
Additional Notes	Shuttered: Yes
Patents and Trademarks	Hartland G2 is a Registered Trade Mark No UK00003388376

<p>All products listed conform to current British or European standard and the product information is correct at the time of going to press.</p>	<p>All accessories are manufactured under an accredited BS EN ISO 9001 : 2015 Quality Management System.</p>	<p>It is the policy of the company to improve products as part of our development programme. Therefore, we reserve the right to alter designs and dimensions without prior notice.</p>
<p>Illustrations and diagrams are reproduced within the limitations of reproduction and printing process and are not binding.</p>	<p>Due to manufacturing processes we cannot guarantee an exact colour match and shadings of of certain finishes.</p>	<p>Correct as at 14 August 2019 04:05 PM E&OE</p>