
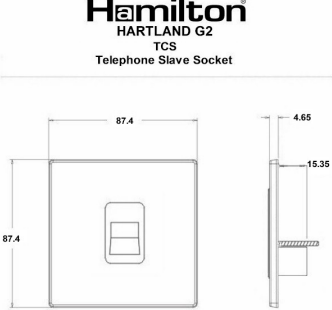


7G24TCSB

Hartland G2 Satin Stainless Steel 1 gang Telephone Slave Black

Item Image	Wiring	Dimensions																								
	<table border="1" data-bbox="662 472 964 604"> <thead> <tr> <th>Pin No.</th> <th>BT Wiring Schedule</th> <th>Colour Codes:</th> </tr> </thead> <tbody> <tr> <td>1</td> <td>Striped Wires</td> <td></td> </tr> <tr> <td>2</td> <td></td> <td>GREEN / White</td> </tr> <tr> <td>3</td> <td></td> <td>BLUE / White</td> </tr> <tr> <td>4</td> <td></td> <td>ORANGE / White</td> </tr> <tr> <td>5</td> <td></td> <td>WHITE / Orange</td> </tr> <tr> <td>6</td> <td></td> <td>WHITE / Blue</td> </tr> <tr> <td></td> <td></td> <td>WHITE / Green</td> </tr> </tbody> </table> <p data-bbox="673 604 953 611">Main Wire Colour shown in CAPITALS</p> <p data-bbox="711 613 915 663">Incoming Telephone Cable On 4 wire systems, Pin 1 and 6 are not connected.</p> <p data-bbox="662 688 964 762">The maximum REN that can be connected to any one exchange line is 4. Any number of sockets may be connected. All sockets are connected in parallel, ie Pin 1 to Pin 1 ; Pin 2 to Pin 2 ; etc. as shown in the diagram above.</p>	Pin No.	BT Wiring Schedule	Colour Codes:	1	Striped Wires		2		GREEN / White	3		BLUE / White	4		ORANGE / White	5		WHITE / Orange	6		WHITE / Blue			WHITE / Green	 <p data-bbox="1235 464 1398 533">Hamilton® HARTLAND G2 TCS Telephone Slave Socket</p>
Pin No.	BT Wiring Schedule	Colour Codes:																								
1	Striped Wires																									
2		GREEN / White																								
3		BLUE / White																								
4		ORANGE / White																								
5		WHITE / Orange																								
6		WHITE / Blue																								
		WHITE / Green																								

Primary Range	Hartland G2	
Insert Type	1 gang Telephone Slave	
Plate Finish	Hartland G2 Satin Stainless Steel	
Insert Colour	Black	
EAN13 Barcode	5051164002534	
Commodity Code	85176990	
Luckins TSI	407518548	
Dimensions (Nominal)	Single: Height = 87.4mm Width = 87.4mm Depth = 4.65mm	
Fixing Hole Centres	Box Fixing = 60.3mm	
Minimum Wall Box Depth	25mm	
Switched Poles	N/A	
IP Rating	IP2XD	
Contact Gap Minimum	N/A	
Earth Terminal Capacity 1	5 x 1mm ²	
Earth Terminal Capacity 2	4 x 1.5mm ²	
Earth Terminal Capacity 3	3 x 2.5mm ²	
Earth Terminal Capacity 4	1 x 4mm ² Multi-strand	
Earth Terminal Capacity 5	1 x 6mm ²	
Product Class 1	Must be earthed (ref BS7671 415.2.1)	
Ambient Operating Temperature	-5° to +40°C	
Recommended Location	Internal Use Only	
Maximum Installation Altitude	2000m	
Standard/Approval	BS 6312:2:2	
Patents and Trademarks	Hartland G2 is a Registered Trade Mark No UK00003388376	
All products listed conform to current British or European standard and the product information is correct at the time of going to press.	All accessories are manufactured under an accredited BS EN ISO 9001 : 2015 Quality Management System.	It is the policy of the company to improve products as part of our development programme. Therefore, we reserve the right to alter designs and dimensions without prior notice.
Illustrations and diagrams are reproduced within the limitations of reproduction and printing process and are not binding.	Due to manufacturing processes we cannot guarantee an exact colour match and shadings of of certain finishes.	Correct as at 14 August 2019 04:04 PM E&OE

R Hamilton & Co Ltd, Unit 10 Carrick Business Centre, 4-5 Bonville Road, Brislington, Bristol, BS4 5NZ
 T: +44 (0)1747 860088 F: +44 (0)1179 710414
 E: info@hamilton-litestat.com www.hamilton-litestat.com

Registered Office 1 Rushmills, Bedford Road, Northampton NN4 7YB
 Registered in London No. 941624 VAT Registration No. 222 6607 84

