
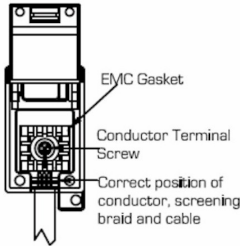
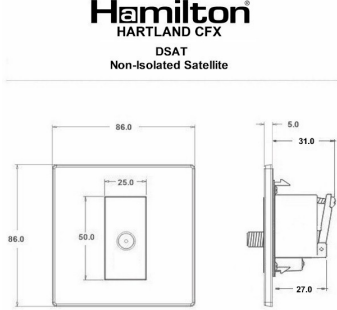


79CDSATB

Hartland CFX Antique Brass 1 gang Non-Isolated Satellite Black

Item Image	Wiring	Dimensions
		

Primary Range	Hartland CFX
Insert Type	1 gang Non-Isolated Satellite (DAB Compatible)
Plate Finish	Hartland CFX Antique Brass
Insert Colour	Black
EAN13 Barcode	5017504291525
Dimensions (Nominal)	Single: Height = 86.0mm Width = 86.0mm Depth = 5.0mm
Fixing Hole Centres	Box Fixing = 60.3mm Grid Fixing = CFX Clips
Minimum Wall Box Depth	35mm
Switched Poles	N/A
IP Rating	IP2XD
Contact Gap Minimum	N/A
Earth Terminal Capacity 1	5 x 1mm ²
Earth Terminal Capacity 2	4 x 1.5mm ²
Earth Terminal Capacity 3	3 x 2.5mm ²
Earth Terminal Capacity 4	1 x 4mm ² Multi-strand
Earth Terminal Capacity 5	1 x 6mm ²
Product Class 1	Must be earthed (ref BS7671 415.2.1)
Ambient Operating Temperature	-5° to +40°C
Recommended Location	Internal Use Only
Maximum Installation Altitude	2000m
Frequencies 1	SAT DC=5-2200 MHz
Patents and Trademarks	CFX is a Registered Trade Mark No 2398667 Hartland CFX is a Registered Design under Reference Nos. R21 = 3023446 SS2 = 3023445

<p>All products listed conform to current British or European standard and the product information is correct at the time of going to press.</p>	<p>All accessories are manufactured under an accredited BS EN ISO 9001 : 2015 Quality Management System.</p>	<p>It is the policy of the company to improve products as part of our development programme. Therefore, we reserve the right to alter designs and dimensions without prior notice.</p>
<p>Illustrations and diagrams are reproduced within the limitations of reproduction and printing process and are not binding.</p>	<p>Due to manufacturing processes we cannot guarantee an exact colour match and shadings of of certain finishes.</p>	<p>Correct as at 16 October 2018 12:40 PM E&OE</p>

R Hamilton & Co Ltd, Unit 10 Carrick Business Centre, 4-5 Bonville Road, Brislington, Bristol, BS4 5NZ
 T: +44 (0)1747 860088 F: +44 (0)1179 710414
 E: info@hamilton-litestat.com www.hamilton-litestat.com

Registered Office 1 Rushmills, Bedford Road, Northampton NN4 7YB
 Registered in London No. 941624 VAT Registration No. 222 6607 84



CERT. No. FM1238