
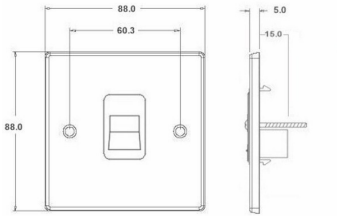


77TCSB

Hartland Bright Chrome 1 gang Telephone Slave Black

| Item Image | Wiring | Dimensions | | | | | | | | | | | | | | | | | | | | | |
|---|---|----------------|--------------------|---------------|---|---------------|---------------|---|--|--------------|---|--|----------------|---|--|----------------|---|--|--------------|---|--|---------------|---|
|  | <table border="1" data-bbox="662 474 964 604"> <thead> <tr> <th>Pin No.</th> <th>BT Wiring Schedule</th> <th>Colour Codes:</th> </tr> </thead> <tbody> <tr> <td>1</td> <td>Striped Wires</td> <td>GREEN / White</td> </tr> <tr> <td>2</td> <td></td> <td>BLUE / White</td> </tr> <tr> <td>3</td> <td></td> <td>ORANGE / White</td> </tr> <tr> <td>4</td> <td></td> <td>WHITE / Orange</td> </tr> <tr> <td>5</td> <td></td> <td>WHITE / Blue</td> </tr> <tr> <td>6</td> <td></td> <td>WHITE / Green</td> </tr> </tbody> </table> <p data-bbox="672 590 954 604">Main Wire Colour shown in CAPITALS</p> <p data-bbox="711 615 915 663">Incoming Telephone Cable On 4 wire systems, Pin 1 and 6 are not connected.</p> <p data-bbox="662 688 964 768">The maximum REN that can be connected to any one exchange line is 4. Any number of sockets may be connected. All sockets are connected in parallel, ie Pin 1 to Pin 1 ; Pin 2 to Pin 2 ; etc. as shown in the diagram above.</p> | Pin No. | BT Wiring Schedule | Colour Codes: | 1 | Striped Wires | GREEN / White | 2 | | BLUE / White | 3 | | ORANGE / White | 4 | | WHITE / Orange | 5 | | WHITE / Blue | 6 | | WHITE / Green |  <p data-bbox="1230 464 1398 537">Hamilton® HARTLAND TCS Telephone Slave Socket</p> |
| Pin No. | BT Wiring Schedule | Colour Codes: | | | | | | | | | | | | | | | | | | | | | |
| 1 | Striped Wires | GREEN / White | | | | | | | | | | | | | | | | | | | | | |
| 2 | | BLUE / White | | | | | | | | | | | | | | | | | | | | | |
| 3 | | ORANGE / White | | | | | | | | | | | | | | | | | | | | | |
| 4 | | WHITE / Orange | | | | | | | | | | | | | | | | | | | | | |
| 5 | | WHITE / Blue | | | | | | | | | | | | | | | | | | | | | |
| 6 | | WHITE / Green | | | | | | | | | | | | | | | | | | | | | |

| | | |
|---|---|---|
| Primary Range | Hartland | |
| Insert Type | 1 gang Telephone Slave | |
| Plate Finish | Hartland Box Bright Chrome | |
| Insert Colour | Black | |
| EAN13 Barcode | 5017503271658 | |
| Dimensions (Nominal) | Single: Height = 88.0mm Width = 88.0mm Depth = 5.0mm | |
| Weight | 92 GR | |
| Fixing Hole Centres | Box Fixing = 60.3mm Grid Fixing = N/A | |
| Minimum Wall Box Depth | 25mm | |
| Switched Poles | N/A | |
| IP Rating | IP2XD | |
| Contact Gap Minimum | N/A | |
| Earth Terminal Capacity 1 | 5 x 1mm ² | |
| Earth Terminal Capacity 2 | 4 x 1.5mm ² | |
| Earth Terminal Capacity 3 | 3 x 2.5mm ² | |
| Earth Terminal Capacity 4 | 1 x 4mm ² Multi-strand | |
| Earth Terminal Capacity 5 | 1 x 6mm ² | |
| Product Class 1 | Must be earthed (ref BS7671 415.2.1) | |
| Ambient Operating Temperature | -5° to +40°C | |
| Recommended Location | Internal Use Only | |
| Maximum Installation Altitude | 2000m | |
| Patents and Trademarks | Hartland is a Registered Trade Mark No. 2344778 | |
| All products listed conform to current British or European standard and the product information is correct at the time of going to press. | All accessories are manufactured under an accredited BS EN ISO 9001 : 2015 Quality Management System. | It is the policy of the company to improve products as part of our development programme. Therefore, we reserve the right to alter designs and dimensions without prior notice. |
| Illustrations and diagrams are reproduced within the limitations of reproduction and printing process and are not binding. | Due to manufacturing processes we cannot guarantee an exact colour match and shadings of of certain finishes. | Correct as at 16 October 2018 12:58 PM E&OE |

R Hamilton & Co Ltd, Unit 10 Carrick Business Centre, 4-5 Bonville Road, Brislington, Bristol, BS4 5NZ
 T: +44 (0)1747 860088 F: +44 (0)1179 710414
 E: info@hamilton-litestat.com www.hamilton-litestat.com

Registered Office 1 Rushmills, Bedford Road, Northampton NN4 7YB
 Registered in London No. 941624 VAT Registration No. 222 6607 84

