
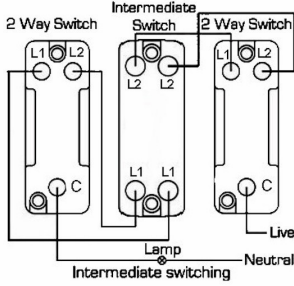
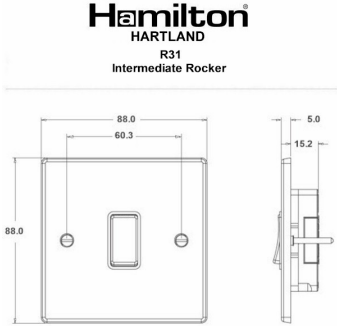


73R31BC-W

Hartland Bright Steel 1 gang 10AX Intermediate Rocker Bright Chrome/White

| Item Image | Wiring | Dimensions |
|---|---|---|
|  |  |  |

| | | |
|---|---|---|
| Primary Range | Hartland | |
| Insert Type | 1 gang 10AX Intermediate Rocker | |
| Plate Finish | Hartland Box Bright Steel | |
| Insert Colour | Bright Chrome/White | |
| EAN13 Barcode | 5017503237319 | |
| Dimensions (Nominal) | Single: Height = 88.0mm Width = 88.0mm Depth = 5.0mm | |
| Weight | 98 GR | |
| Fixing Hole Centres | Box Fixing = 60.3mm Grid Fixing = N/A | |
| Minimum Wall Box Depth | 25mm | |
| Switched Poles | Single | |
| Current Rating | 10AX | |
| Voltage | 220/250V AC | |
| Maximum Load | 10 Amp inductive | |
| Mains Frequency | 50Hz | |
| IP Rating | IP2XD | |
| Contact Gap Minimum | 3mm | |
| Terminal Capacity 1 | 5 x 1mm ² | |
| Terminal Capacity 2 | 4 x 1.5mm ² | |
| Terminal Capacity 3 | 1 x 2.5mm ² | |
| Terminal Capacity 4 | 1 x 4mm ² Multi-strand | |
| Terminal Capacity 5 | 1 x 6mm ² | |
| Earth Terminal Capacity 1 | 5 x 1mm ² | |
| Earth Terminal Capacity 2 | 4 x 1.5mm ² | |
| Earth Terminal Capacity 3 | 3 x 2.5mm ² | |
| Earth Terminal Capacity 4 | 1 x 4mm ² Multi-strand | |
| Earth Terminal Capacity 5 | 1 x 6mm ² | |
| Product Class 1 | Must be earthed | |
| Ambient Operating Temperature | -5° to +40°C | |
| Recommended Location | Internal Use Only | |
| Maximum Installation Altitude | 2000m | |
| Standard/Approval | BS EN 60669-1 | |
| Patents and Trademarks | Hartland is a Registered Trade Mark No. 2344778 | |
| All products listed conform to current British or European standard and the product information is correct at the time of going to press. | All accessories are manufactured under an accredited BS EN ISO 9001 : 2015 Quality Management System. | It is the policy of the company to improve products as part of our development programme. Therefore, we reserve the right to alter designs and dimensions without prior notice. |
| Illustrations and diagrams are reproduced within the limitations of reproduction and printing process and are not binding. | Due to manufacturing processes we cannot guarantee an exact colour match and shadings of of certain finishes. | Correct as at 16 October 2018 12:55 PM E&OE |

Hamilton®

making connections beautifully

SL

Wiring Accessories • Circuit Protection • Smart Lighting Control & Multi-room Audio