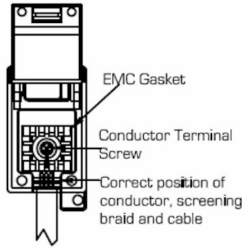
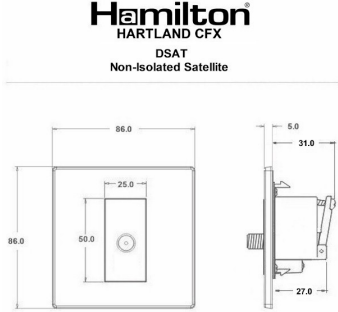


70CDSATW

Hartland CFX Gloss White 1 gang Non-Isolated Satellite White

Item Image	Wiring	Dimensions
		

Primary Range	Hartland CFX
Insert Type	1 gang Non-Isolated Satellite (DAB Compatible)
Plate Finish	Hartland CFX Gloss White
Insert Colour	White
EAN13 Barcode	5017504008598
Dimensions (Nominal)	Single: Height = 86.0mm Width = 86.0mm Depth = 5.0mm
Fixing Hole Centres	Box Fixing = 60.3mm Grid Fixing = CFX Clips
Minimum Wall Box Depth	35mm
Switched Poles	N/A
IP Rating	IP2XD
Contact Gap Minimum	N/A
Earth Terminal Capacity 1	5 x 1mm ²
Earth Terminal Capacity 2	4 x 1.5mm ²
Earth Terminal Capacity 3	3 x 2.5mm ²
Earth Terminal Capacity 4	1 x 4mm ² Multi-strand
Earth Terminal Capacity 5	1 x 6mm ²
Product Class 1	Must be earthed (ref BS7671 415.2.1)
Ambient Operating Temperature	-5° to +40°C
Recommended Location	Internal Use Only
Maximum Installation Altitude	2000m
Frequencies 1	SAT DC=5-2200 MHz
Patents and Trademarks	CFX is a Registered Trade Mark No 2398667 Hartland CFX is a Registered Design under Reference Nos. R21 = 3023446 SS2 = 3023445

All products listed conform to current British or European standard and the product information is correct at the time of going to press.	All accessories are manufactured under an accredited BS EN ISO 9001 : 2015 Quality Management System.	It is the policy of the company to improve products as part of our development programme. Therefore, we reserve the right to alter designs and dimensions without prior notice.
Illustrations and diagrams are reproduced within the limitations of reproduction and printing process and are not binding.	Due to manufacturing processes we cannot guarantee an exact colour match and shadings of certain finishes.	Correct as at 16 October 2018 12:36 PM E&OE

R Hamilton & Co Ltd, Unit 10 Carrick Business Centre, 4-5 Bonville Road, Brislington, Bristol, BS4 5NZ
 T: +44 (0)1747 860088 F: +44 (0)1179 710414
 E: info@hamilton-litestat.com www.hamilton-litestat.com

Registered Office 1 Rushmills, Bedford Road, Northampton NN4 7YB
 Registered in London No. 941624 VAT Registration No. 222 6607 84



CERT. No. FM1238