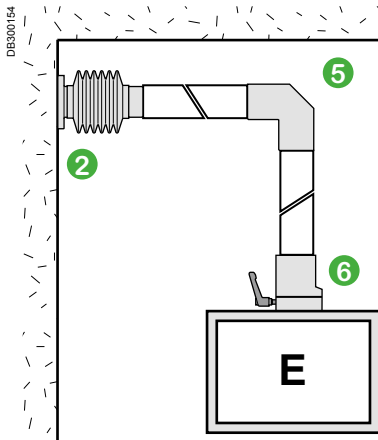


Human-Machine Interface Examples



Fixing on support

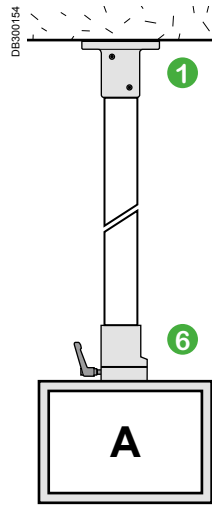
2 See page 450

Inter-tube fitting

5 See page 451

Fixing on enclosure

6 See page 451



Fixing on support

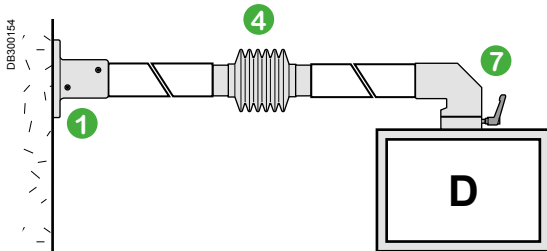
1 See page 450

Inter-tube fitting

-

Fixing on enclosure

6 See page 451



Fixing on support

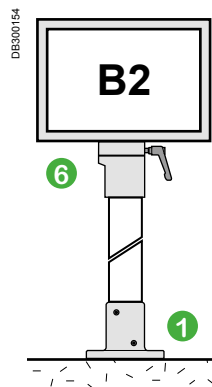
1 See page 450

Inter-tube fitting

4 See page 450

Fixing on enclosure

7 See page 451



Fixing on support

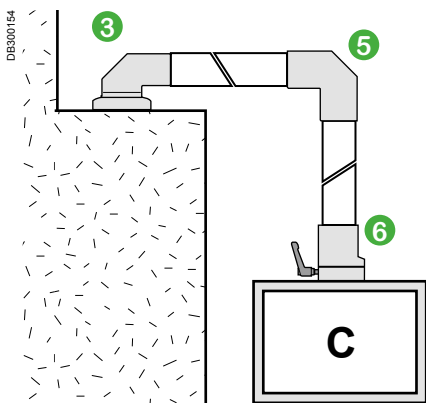
1 See page 450

Inter-tube fitting

-

Fixing on enclosure

6 See page 451



Fixing on support

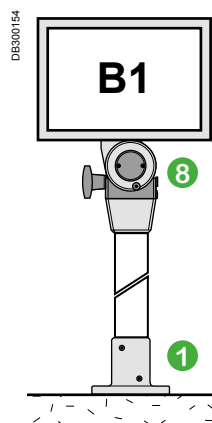
3 See page 450

Inter-tube fitting

5 See page 451

Fixing on enclosure

6 See page 451



Fixing on support

1 See page 450

Inter-tube fitting

-

Fixing on enclosure

8 See page 451