

Enclosures for explosive atmospheres

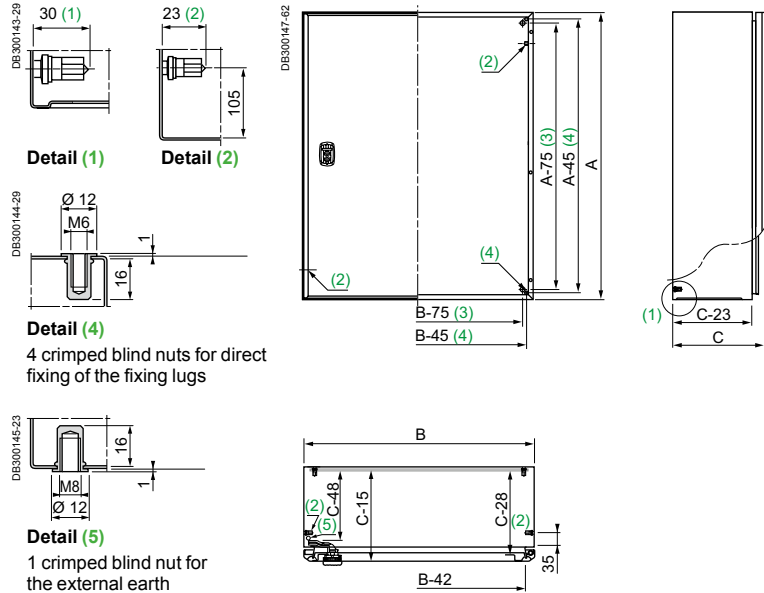
Dimensions

Spacial S3DEX

1-door enclosure

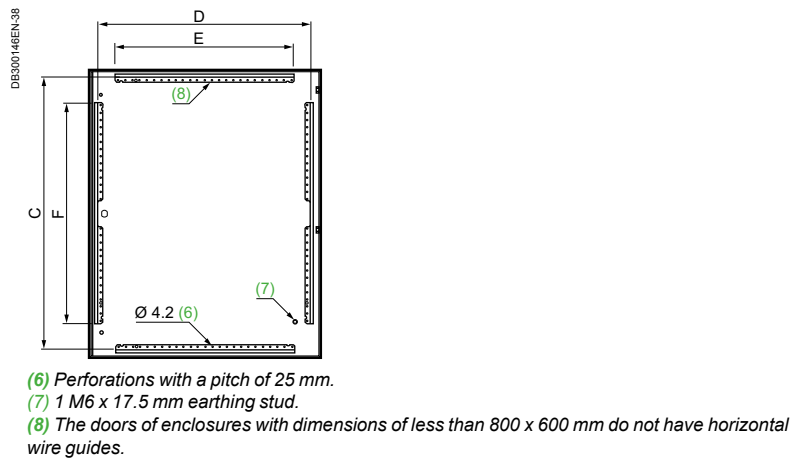
A: Height
B: Width
C: Depth

- (1) 4 M8 x 25 mm backstuds.
- (2) 2 M6 x 17.5 mm earthing studs.
- (3) Stud centre-to-centre distance.
- (4) Crimped blind nut centre-to-centre distance.
- (5) Blind nut for external earth.



Perforated rails on the door

Enclosure (8)		Perforated rails on the door (mm)			
Height (A) (mm)	Width (B) (mm)	Vertical		Horizontal	
		F	D	E	C
400	300	320	237	-	-
	400	320	337	-	-
600	400	370	337	-	-
	600	370	537	-	-
700	500	470	437	-	-
800	600	570	537	-	-
1000	800	770	737	620	949



Spacial S3XEX

Fig. 1

